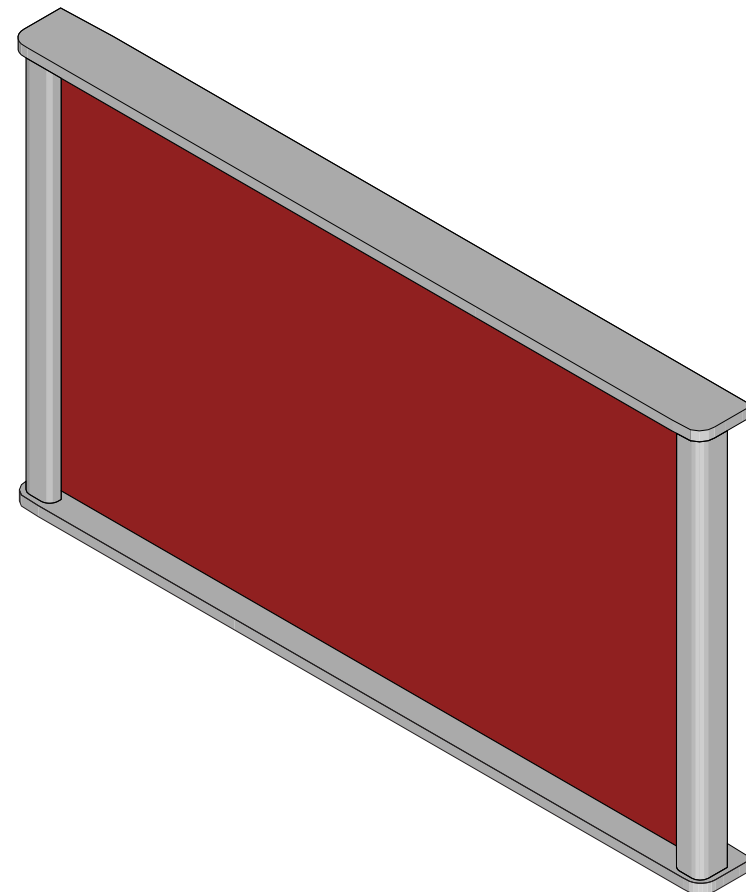
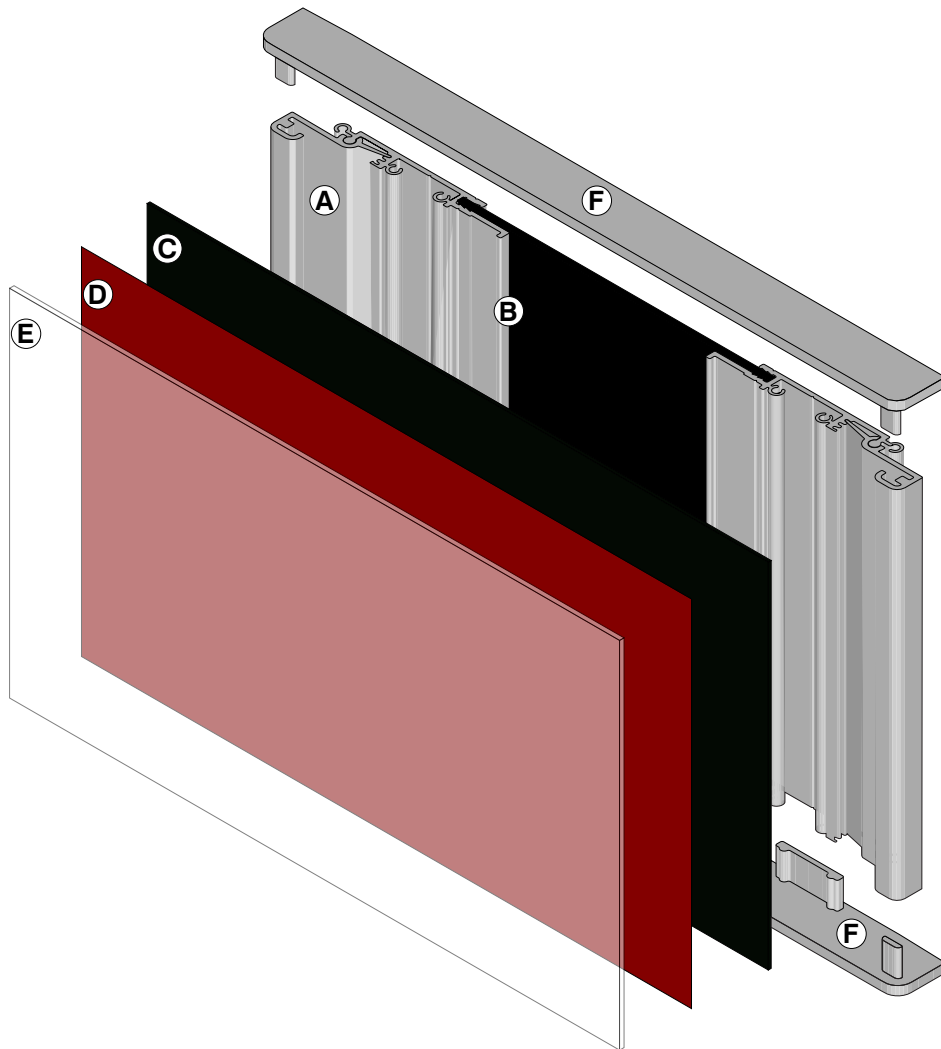


HID Wall Mount

Assembly Instructions

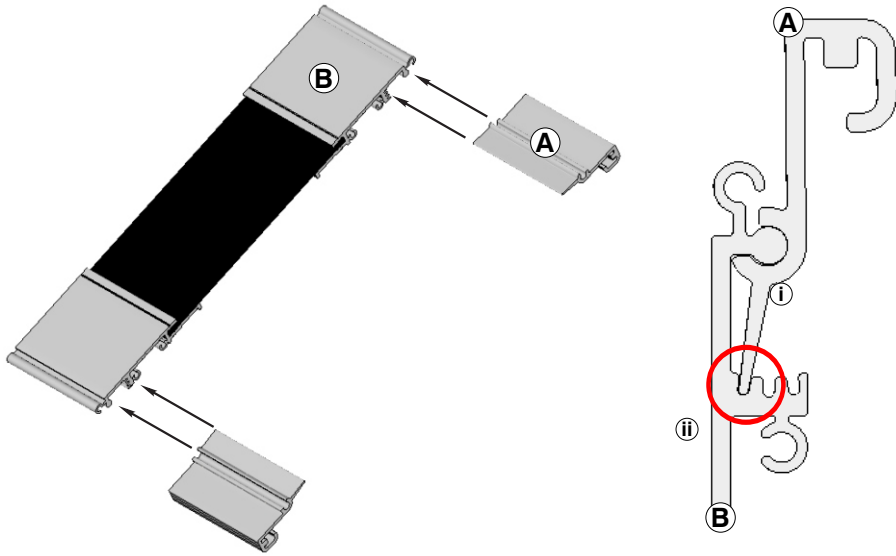
Parts List			
Part ID.	Qty.	Material	Color/Finish
(A) Frame	2	Extruded Aluminum	Anodized Aluminum
(B) Frame with Sintra	1	Extruded Aluminum, Sintra	Anodized Aluminum, Black
(C) Formica	1	MicroDot Formica	Black
(D) Insert	1	Paper	May Vary By Sign
(E) Lens	1	Acrylic	Clear Non-Glare
(F) End Cap	2	Injection Molded	Silver



Finished Product

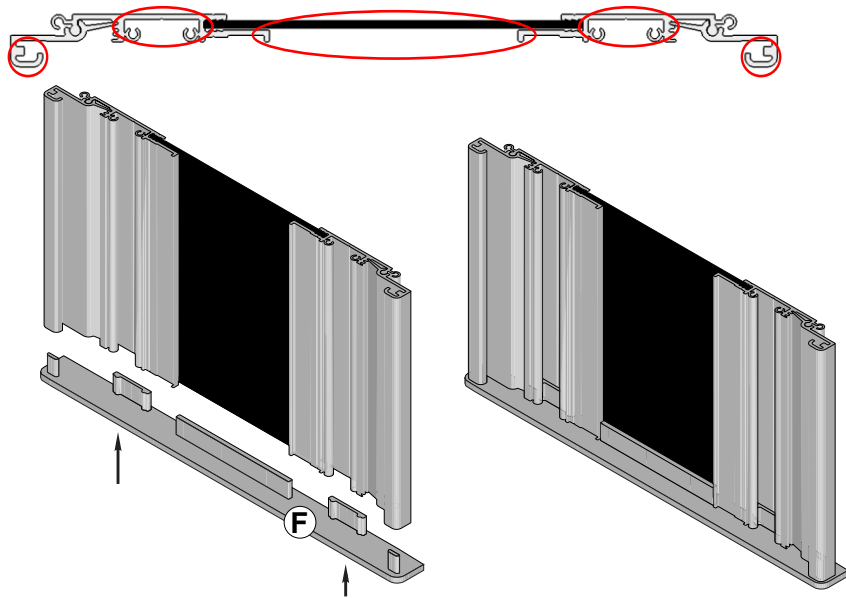
Step 1

Insert the frame (A) into the aluminum end of the frame with sintra (B) as shown. Make sure that the tab on the frame (i) is in line with the third slot from the end (ii) in order to create a flat face. Repeat for both frame sections.



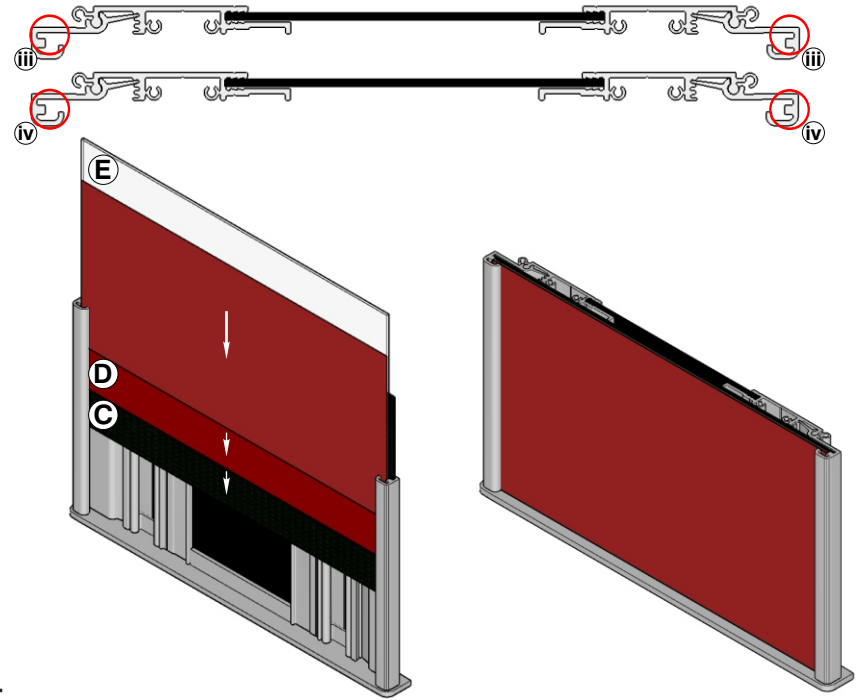
Step 2

Align the end cap (F) with the appropriate slots on the bottom of the sign, as shown. Push the end cap into place. A rubber mallet may be needed to press the end cap on all the way.



Step 3

Slide the formica (C) into the correct slot (iii) in the sign. Then, slide the paper insert (D) and the lens (E) into the correct slot (iv) in the sign.



Step 4

Align the end cap (F) with the appropriate slots on the top of the sign, as shown. Push the end cap into place, using a rubber mallet if necessary.

