

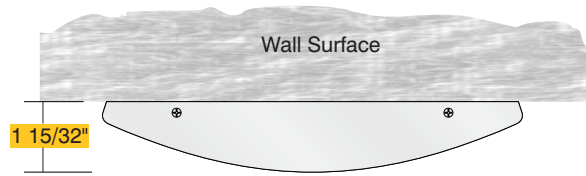
HID WMP-R 858 Interior Sign System

Wall Mount, Single Face, Non-Illuminated, Standard Finish
 QTY: 1

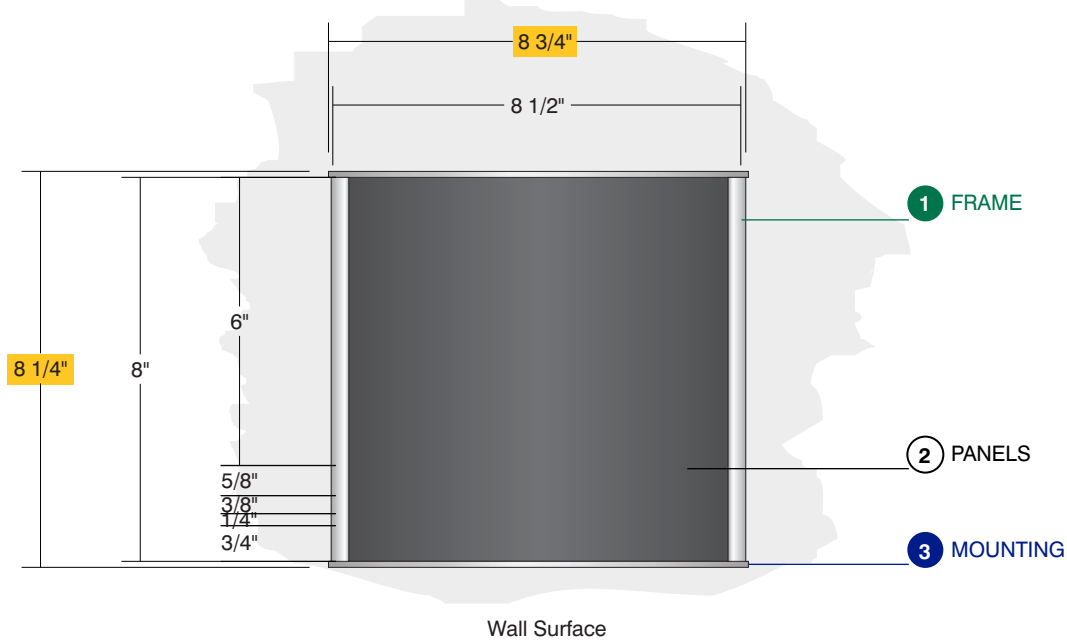
Typical Drawing

Graphic Size is also the Lens Size- Extends into the frame 3/16"

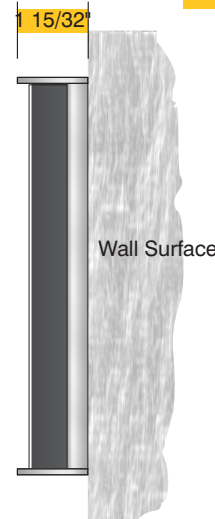
Top View



Front View



Side View

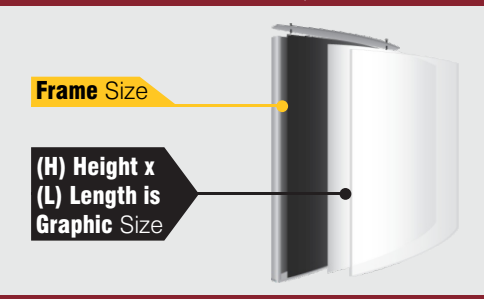


PARTS LIST

PART ID.	QTY	SIZE	MATERIAL	COLOR/FINISH
① FRAME (HID-R)	2	8.000"	.437" x 3.062" Extruded Aluminum	Anodized Aluminum
① BACKER	1	8.000" x 4.000"	2mm Sintra	Black
② FORMICA	1	8.000" x 8.687"	.044" Formica	Black, MicroDot
② LENS	1	8.000" x 8.500"	.062" Acrylic	Clear, Non-Glare
③ END CAP ASSEMBLY	2	9.000" x .687"	.125" Mod. Acr.	Simulated Aluminum
③ MOUNTING	4	.500" x .500"	.062" Double-Sided Tape	White

Highlighted Areas Denote Overall Frame Size(s)

WMP-R SERIES DETAIL, TYP



PAGE 1 OF 1

Drawing Number: XX
 Drawn By: XX
 Date: XX
 System: HID WMP-R
 Quote #: XX
 Scale: 3"=1'
 Sales Rep.: XX
 Revisions:

Approved: _____

