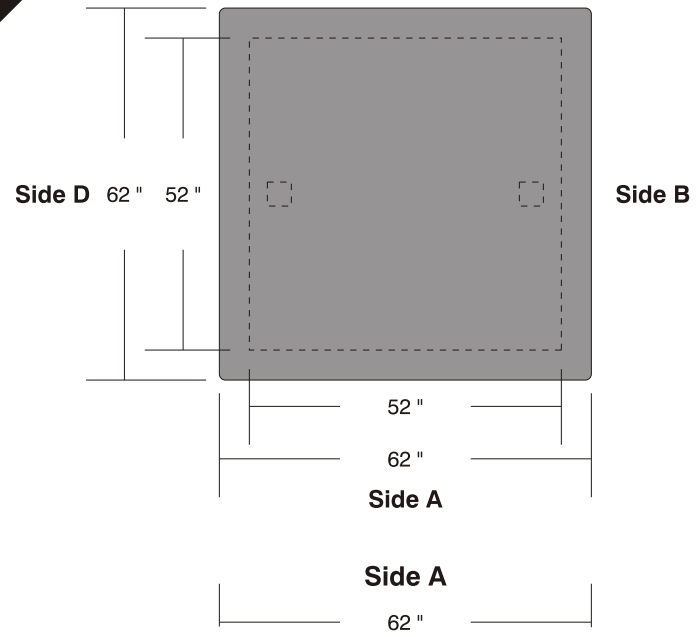


TYP  
 Dwg. No.:  
 XXXX-XX

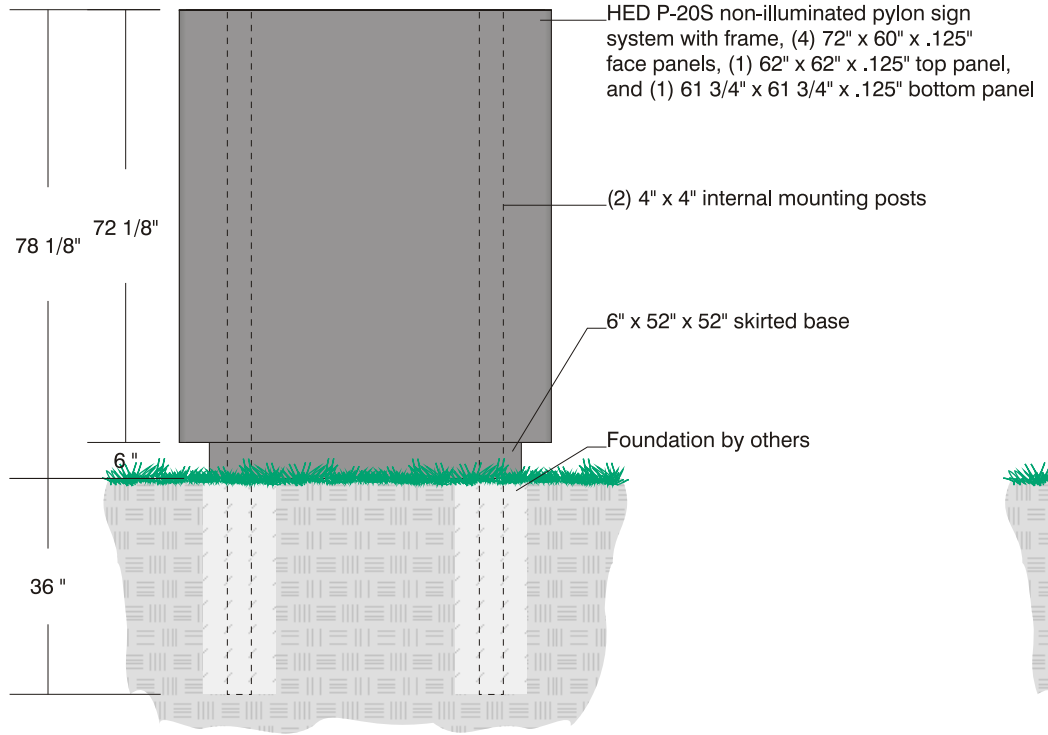
# HED P-20S

Double Internal Post, Quadruple Face,  
 Duranodic Bronze Finish, Non-Illuminated

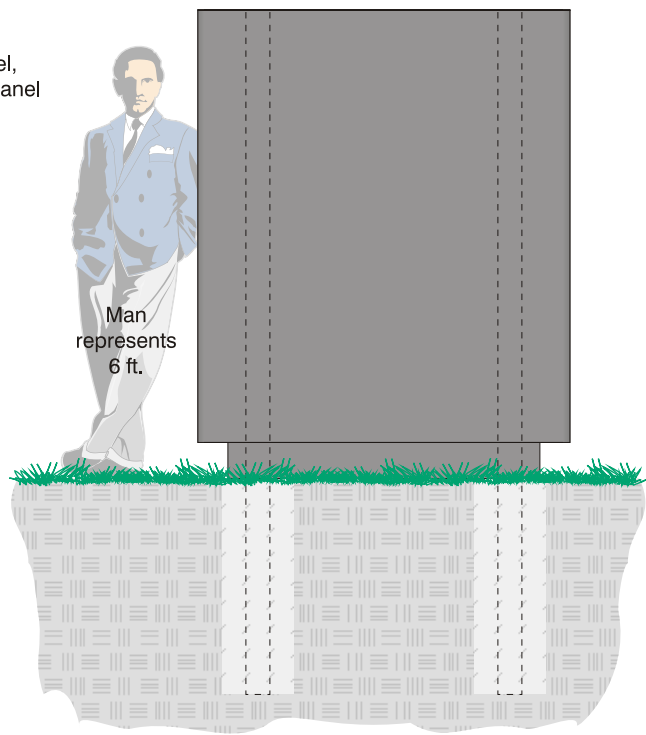
Top View  
 Side C



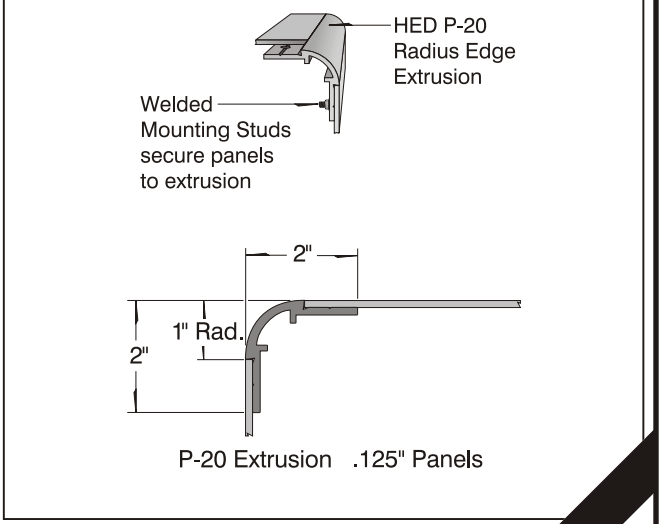
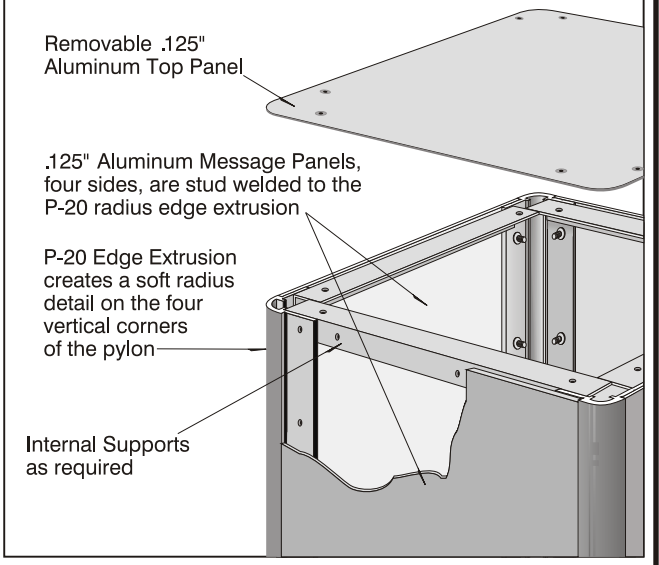
Side A  
 62"



Sides B, C, & D; Typical



## P-20S Detail



**Drawing Notes**  
 \*All sign components of  
 extruded aluminum and  
 having a duranodic bronze  
 finish unless otherwise specified

Client: XXXX  
 System: HED P-20S  
 Date: 01-10-05  
 Scale: 3/8" = 1'-0"

✂ XX  
 Drawing format is  
 faxed to fit legal  
 size paper,  
 8-1/2" x 14"

This drawing was specifically created for: XXXX  
 Sales Representative: XXXX

6400 Howard Drive, Fairview, PA 16415 • Toll Free 800/458-0591 • PA 814/833-7000 • Fax 814/838-0011

