

TYP  
 Dwg. No.:  
 XXXX-XX

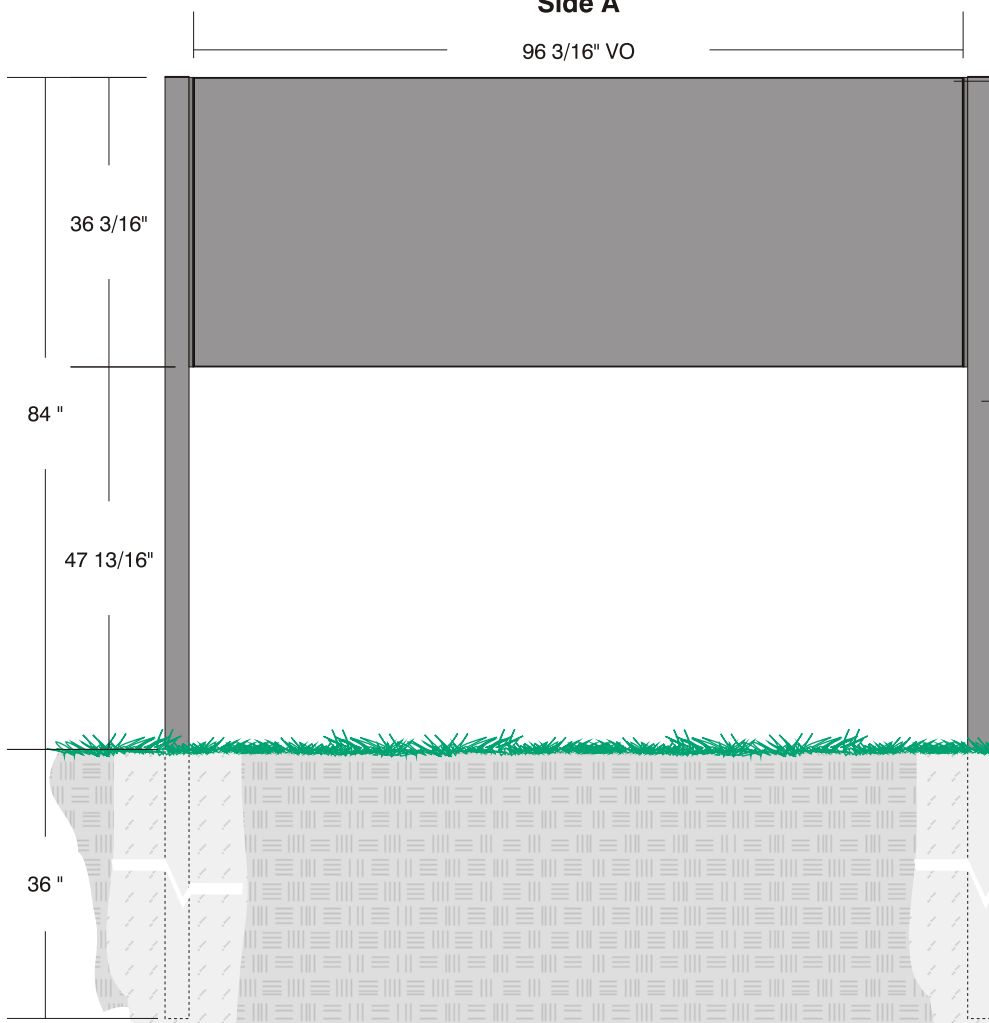
# HED I-70 Flush Face

Double Post, Double Face,  
 Duranodic Bronze Finish, Non-Illuminated

Top View



Side A



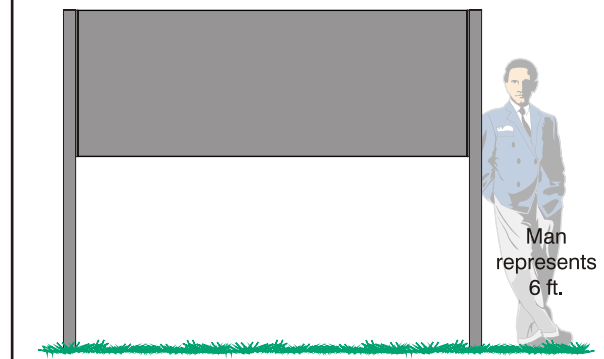
HED I-70 flush face non-illuminated sign system with frame and (2) 36" x 96" x .080" panels

(2) 3" x 7" x 120" mounting posts

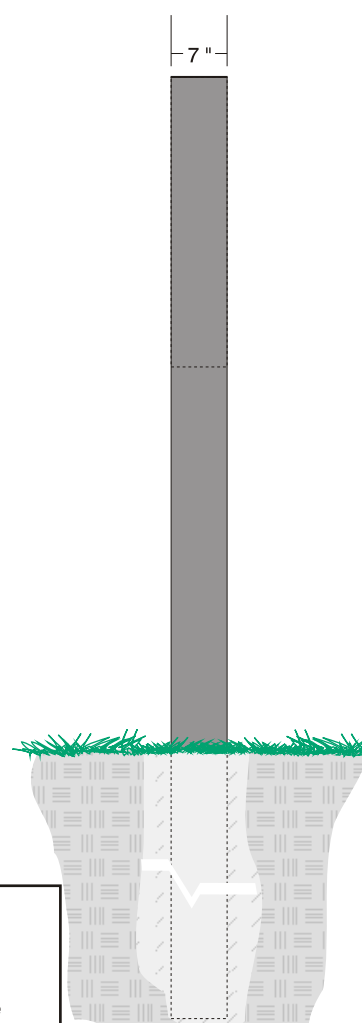
Foundation by others

**Drawing Notes**  
 \*All sign components of extruded aluminum and having a duranodic bronze finish unless otherwise specified

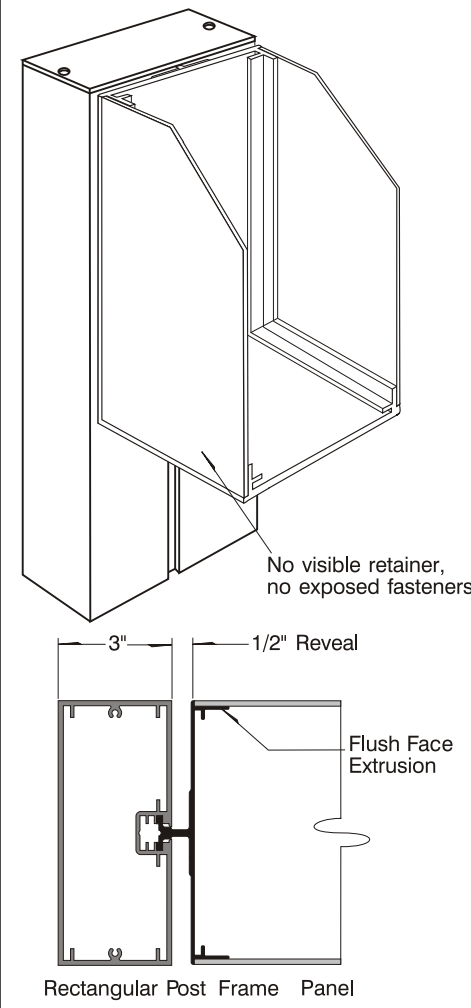
Side B Detail



Side View



HED I-70 Flush Face Detail



Client: XXXX  
 System: HED I-70  
 Date: 12-23-04  
 Scale: 1/2" = 1'-0"

XX

Drawing format is faxed to fit legal size paper, 8-1/2" x 14"

This drawing was specifically created for: XXXX  
 Sales Representative: XXXX

6400 Howard Drive, Fairview, PA 16415 • Toll Free 800/458-0591 • PA 814/833-7000 • Fax 814/838-0011

