

# E-Z Change Wordbar Sign System

Double Post, Double Face, Non-Illuminated, Standard Painted Finish

See Page 2 for

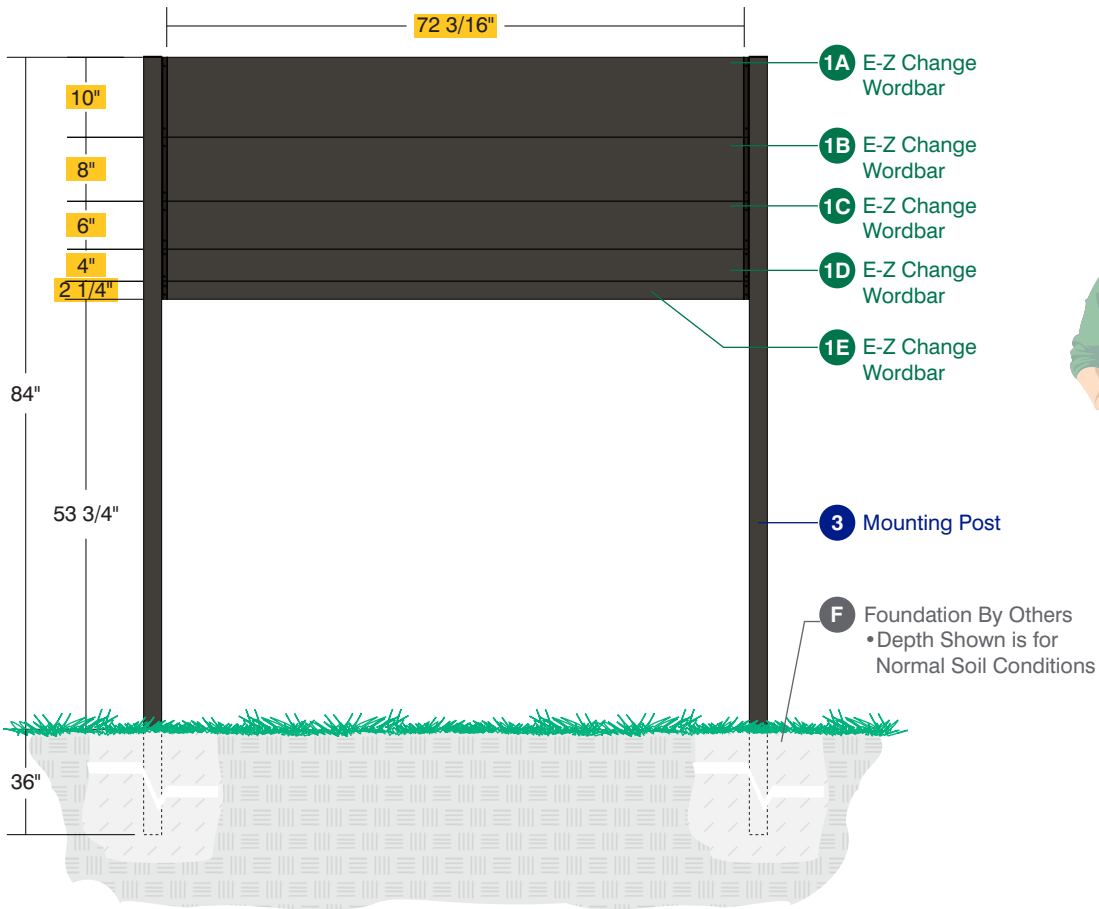
# Typical Drawing

Quantity: TBD

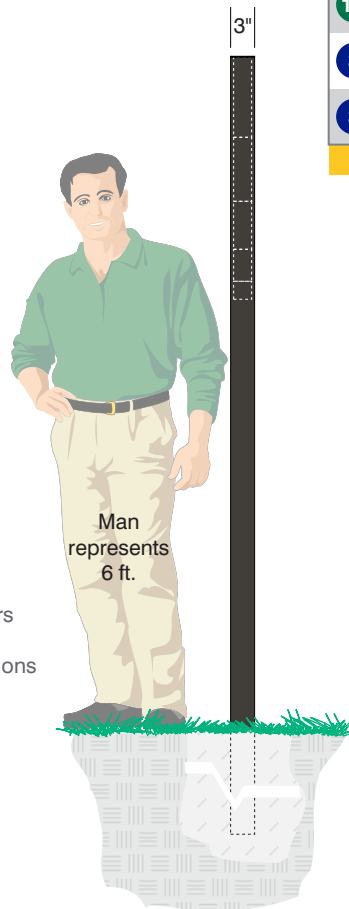
Top View



Side A & B



Side View



## Parts List

PART ID.	QTY	SIZE	MATERIAL	COLOR/FINISH
1A	1	6'-0"	2 1/4" x 10" Extruded Aluminum	Paint Color Satin Finish
1B	1	6'-0"	2 1/4" x 8" Extruded Aluminum	Paint Color Satin Finish
1C	1	6'-0"	2 1/4" x 6" Extruded Aluminum	Paint Color Satin Finish
1D	1	6'-0"	2 1/4" x 4" Extruded Aluminum	Paint Color Satin Finish
1E	1	6'-0"	2 1/4" x 2 1/4" Extruded Aluminum	Paint Color Satin Finish
3	2	10'-0"	2 1/4" x 3" Extruded Aluminum	Paint Color Satin Finish
3	2	2 1/4" x 3"	.125" Injection Molded Plastic	Paint Color Satin Finish

Highlighted Areas Denote Overall Cabinet Size(s)

Drawing Number

XXXXX-XX

Drawn By

MDB/ABS

Date

09.25.14

System

E-Z Change Wordbar

Quote #

XXXXX

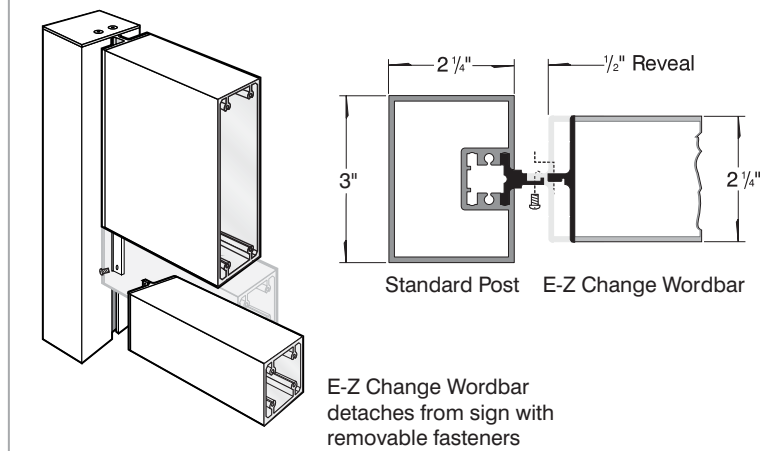
Scale

Sales Rep.

Sales Rep.

Revisions

## E-Z Change Wordbar Detail



Approved \_\_\_\_\_

