

TYP  
Dwg. No.:  
XXXX-XX

# DSS-75

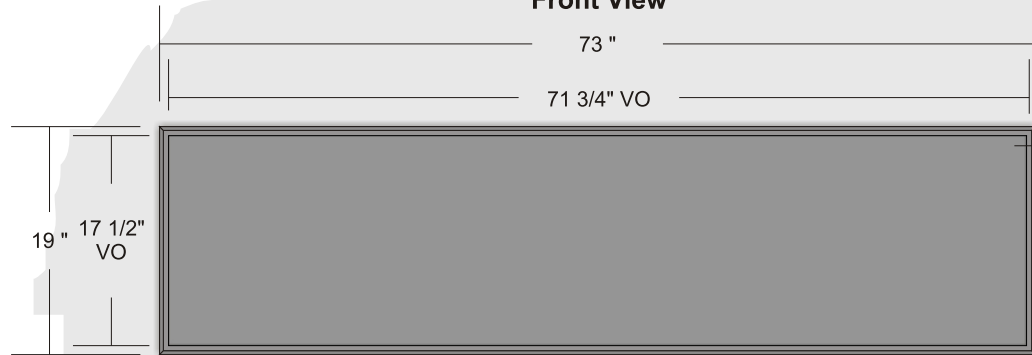
Wall Mount, Single Face, Duranodic Bronze Finish

**Drawing Notes**  
\*All sign components of  
extruded aluminum and  
having a duranodic bronze  
finish unless otherwise specified

**Top View**

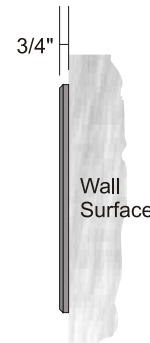


**Front View**

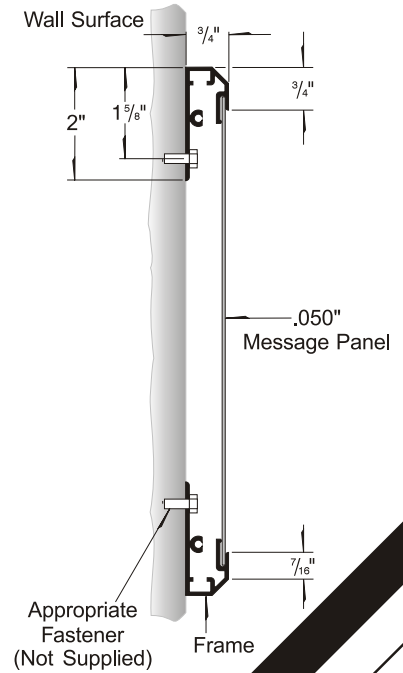
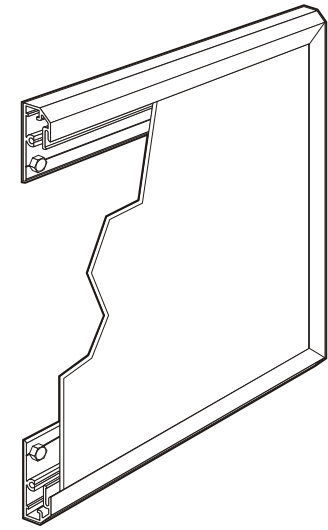


DSS-75 wall mount sign system with frame and (1) 18" x 72" x .050" panel

**Side View**



**DSS-75 Detail**



Client: XXXX  
System: DSS-75  
Date: 12-21-04  
Scale: 3/4" = 1'-0"

XX  
Drawing format is  
faxed to fit legal  
size paper,  
8-1/2" x 14"

This drawing was specifically created for: XXXX  
Sales Representative: XXXX  
6400 Howard Drive, Fairview, PA 16415 • Toll Free 800/458-0591 • PA 814/833-7000 • Fax 814/838-0011

