

TYP
 Dwg. No.:
 XXXX-XX

DSS-125

Wall Mount, Single Face, Duranodic Bronze Finish

Drawing Notes
 *All sign components of
 extruded aluminum and
 having a duranodic bronze
 finish unless otherwise specified

Top View

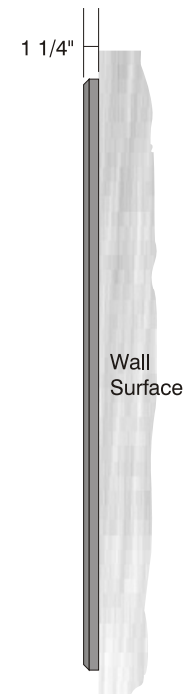


Front View

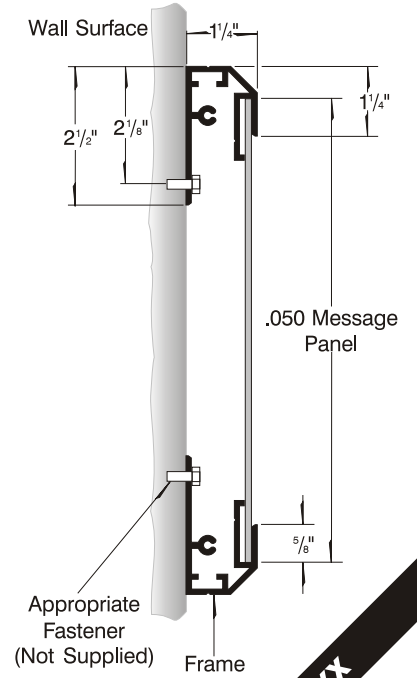
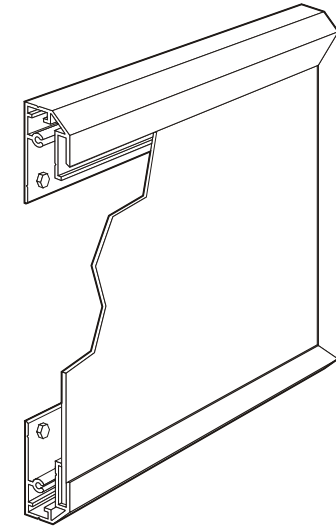


DSS-125 wall mount sign
 system with frame and
 (1) 48" x 84" x .050" panel

Side View



DSS-125 Detail



Client: XXXX
System: DSS-125
Date: 11-19-04
Scale: 3/4" = 1'-0"

✂ **XX**
 Drawing format is
 faxed to fit legal
 size paper,
 8-1/2" x 14"

This drawing was specifically created for: **XXXX**
 Sales Representative: **XXXX**
 6400 Howard Drive, Fairview, PA 16415 • Toll Free 800/458-0591 • PA 814/833-7000 • Fax 814/838-0011

