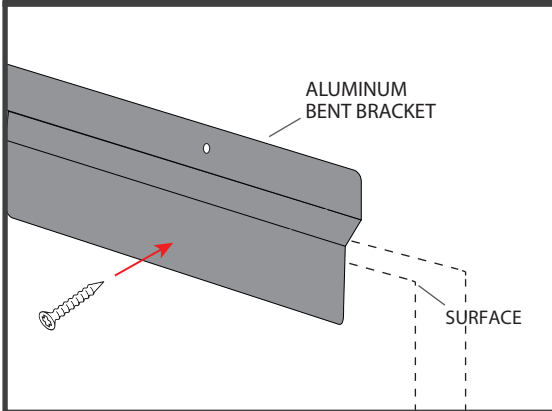




# INSTALLATION INSTRUCTIONS

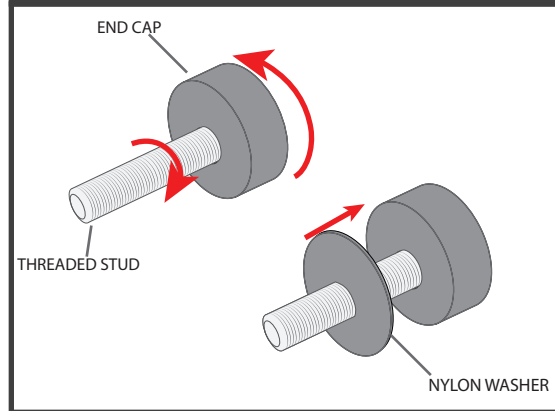
## CTB Models

### STEP TWO: Drill Holes



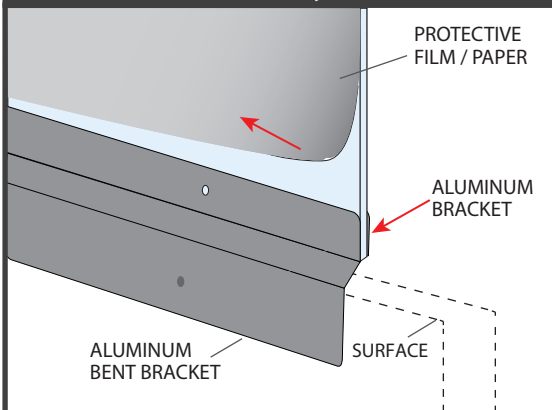
Place bent bracket along surface in desired location. Drill holes through aluminum and mounting surface and attach bent bracket with appropriate fasteners (NOT PROVIDED). Repeat with other bracket.

### STEP TWO: Assemble Hardware



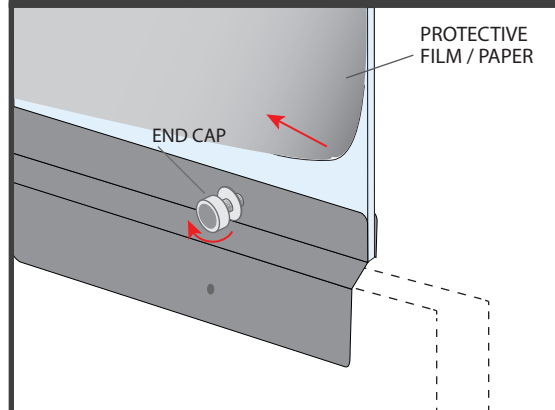
Thread stud all the way into end caps. Slide nylon washer over threaded studs.

### STEP THREE: Place Acrylic



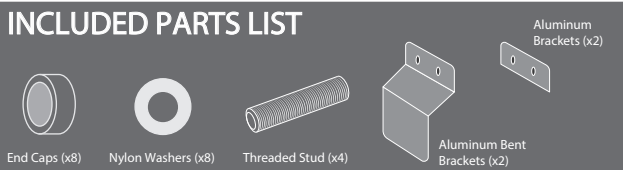
Remove first 4 inches of protective film/paper before assembling hardware. Place the acrylic panel between both aluminum brackets.

### STEP FOUR: Fasten

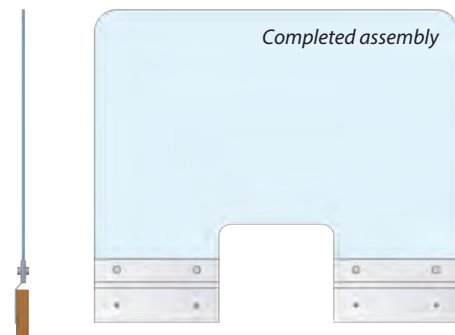


Insert the threaded studs into the pre-drilled holes and apply the other nylon washer and end caps (**Repeat for other brackets**). Completely remove remaining protective film/paper.

### INCLUDED PARTS LIST



**\*HANDLE WITH CARE, AS TO NOT SCRATCH ACRYLIC SURFACE.**



[www.howardindustries.com](http://www.howardindustries.com)