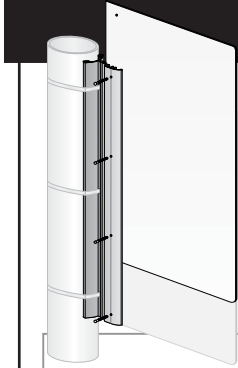


PERMA•BANNER

POLE MOUNT SYSTEM

Assembly and Installation Instructions

Carefully select the location of your sign to be sure that it will be readily visible to those for which it is intended. Before installing any sign, be sure that the installation does not obstruct traffic or hamper local utilities, landscape, maintenance, snow-plowing, etc...



Pole Mount

Step 1

Carefully unpack the frame and panel assembly from the shipping cartons. Lay the unit on the ground (use shipping cartons underneath to avoid damage). The sign should have shipped completely assembled. Remove the sign blade by backing out the set screws. It is recommended to install the extrusion only to the pole, then attach the blade back onto the extrusion once the banding and clamps are tight.

Step 2

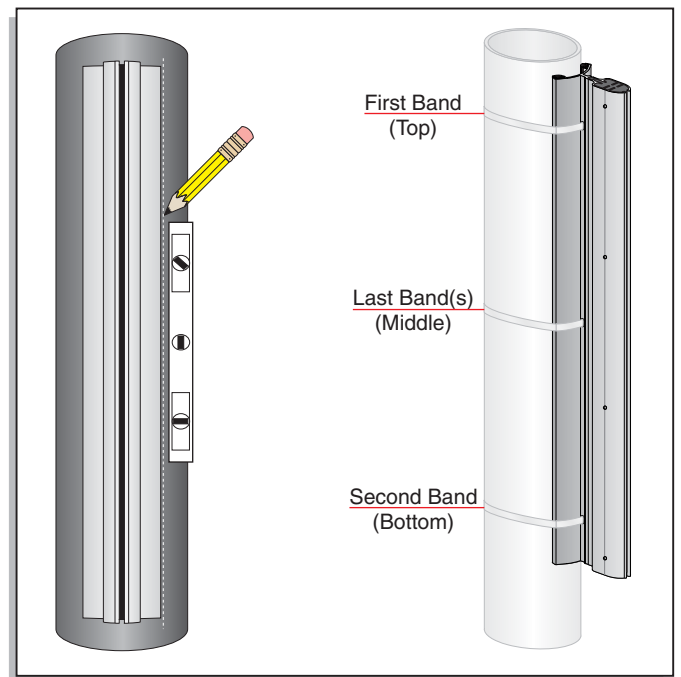
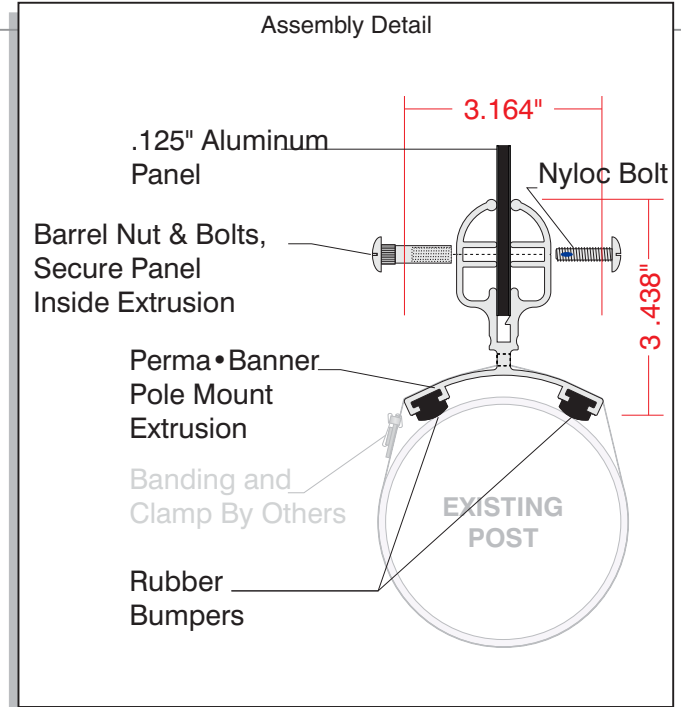
Plan carefully, it is important to check your clearances before beginning to install Perma•Banner pole signs. Determine the direction in which the panel needs to be seen and be sure it is mounted high enough to clear vehicles on roadsides and clear raised hands in pedestrian areas.

Step 3

The general idea in mounting these signs is to

1. Fasten the top stainless steel banding and clamp it to the pole first.
2. Then make sure the sign is level and fasten the bottom banding and tighten with clamps.
3. Thread and tighten the banding and clamps through all the middle slots of the extrusion, making sure the extrusion stays level from top to bottom.

Note: Howard Industries recommends running the banding material through slots in the Perma•Banner and around pole two times making a "Double Band". Double Banding develops a great deal more radial compression strength than Single Banding.



Make-A-Clamp Banding Kit sold separately



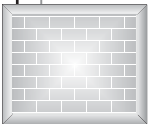
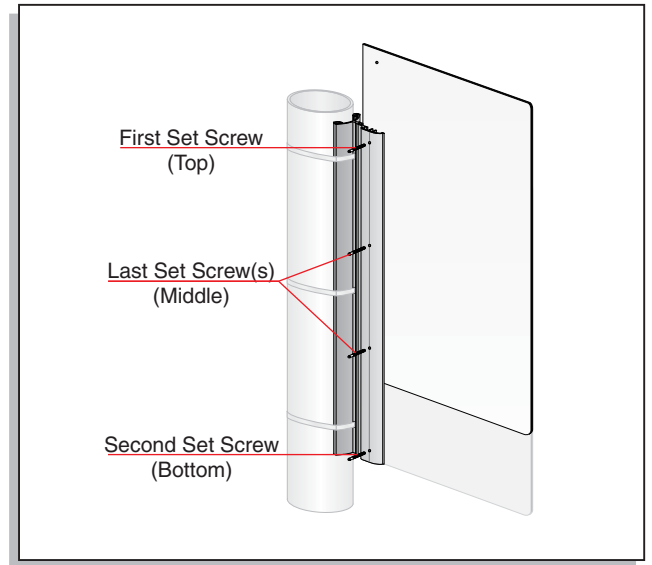


Pole Mount Continued

Step 4

Slide the sign blade into position. Line up the sign blade holes to the set screw holes.

1. Fasten the top set screw to hold the sign blade in place.
2. Fasten the bottom set screw, then
3. Fasten the middle set screw(s).



Wall Mount

Step 1

Remove the sign blade by backing out the set screws. It is recommended to install the extrusion only to the wall, then attach the blade back once the extrusion is tight to the wall.

Step 2

Place the sign extrusion in position, level, locate and mark the pre-drilled holes in the brackets on the wall. Secure all brackets to the wall surface using appropriate fasteners, not supplied.

Re-attach sign blade:

1. Fasten the top set screw to hold the sign blade in place.
2. Fasten the bottom set screw, then
3. Fasten the middle set screw(s).

