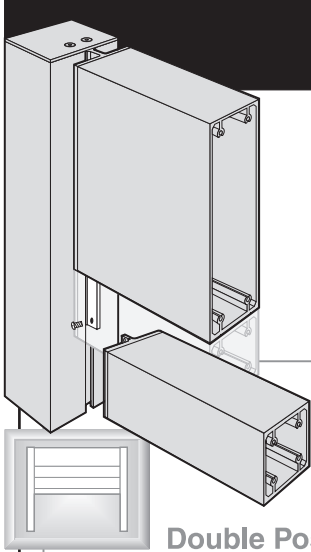


WORDBAR

E-Z CHANGE BAR SYSTEM

Assembly and Installation Instructions

Carefully select the location of your sign to be sure that it will be readily visible to those for which it is intended. Before installing any sign, be sure that the installation does not obstruct traffic or hamper local utilities, landscape, maintenance, snow-plowing, etc...



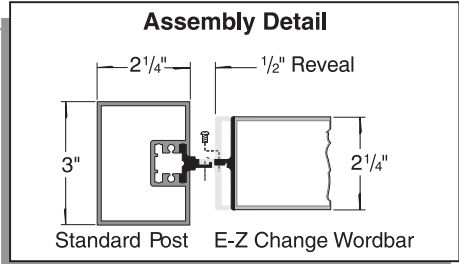
Double Post Mount

Step 1

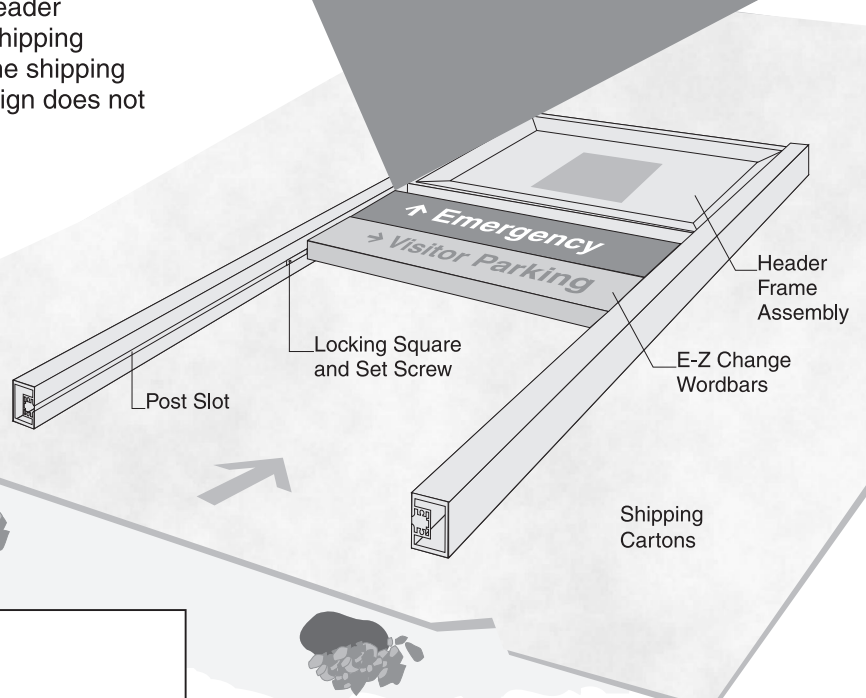
Carefully unpack the posts, wordbars (and header assembly if the sign includes one) from the shipping cartons. Lay the posts on the ground using the shipping cartons underneath to avoid damage. If the sign does not have a header continue with Step 2.

Slide the header frame assembly into the appropriate post slots, be sure to use the slots that allow for a 1/2" reveal. Move the frame up the posts until it is flush to the post caps, which are attached prior to shipping.

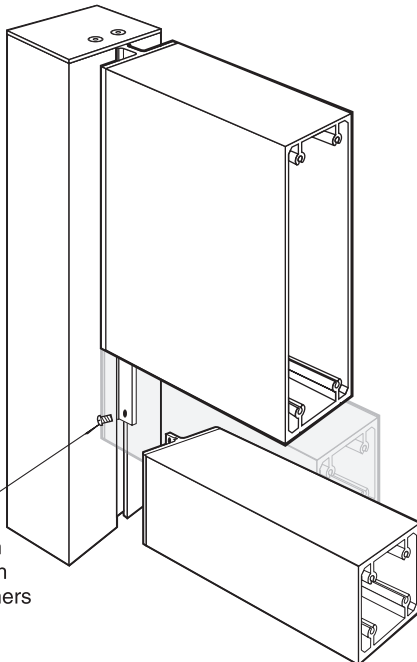
If wordbars are not to be installed flush to the header frame, slide the locking squares into the post slots flush to the bottom of the frame assembly and tighten into position with an allen wrench.



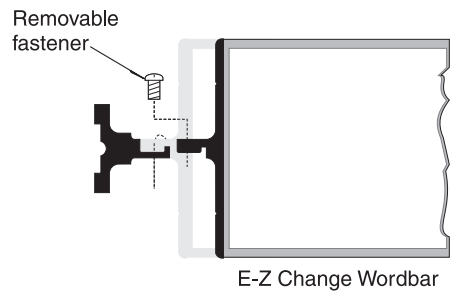
Note:
Assembly is the same when optional post styles are used.



E-Z Change Wordbar Detail



Two Part Mounting Extrusion Detail





Double Post Mount Continued

Step 2

Slide the first wordbar into the post slots from the bottom until it is flush to the post caps or the header if the sign has one. Continue to insert the remaining wordbars in sequence making sure that each is flush to the one above it. Slide the locking squares into the post slots flush to the bottom of the last wordbar and tighten in position with an allen wrench.

NOTE: When an open space is required between wordbars, be sure to insert the proper locking square spacers in each post slot flush between the wordbars and secure the set screws.

Step 3

Laying the assembled sign on the ground as a guide, dig two 8" diameter x 30" deep holes; if the combined wordbars and header are 36" or higher, dig the holes 36" deep. Insert the sign posts into the holes and fill each hole with concrete. Level the sign both horizontally and vertically.

