



Increase The Clarity of Wayfinding

The timeless design and style of our "HID" Interior Sign System enables end users to direct, inform, reinforce brand identity and image throughout their facility. This modular design allows for future growth and provides the flexibility to easily change copy and graphics using paper inserts that can be printed from any desktop computer.

We offer a multitude of sign configurations including, but not limited to: flat, radius, landscape and portrait styles, directories, suspended or projected designs. Standard end caps are simulated aluminum; however, other materials such as wood and marbled acrylic are also available.

HID Sign Systems are manufactured with a standard anodized aluminum finish, but are available in any chosen color to match interior decor, brand identity and logo.

Facts You Should Know About Our System

1. You get everything you need: 75 % recycled aluminum frame, lens, replaceable paper insert (optional).
2. One flat price. Everything is manufactured here.
3. Choice of Flat or Radius profiles at no additional charge.
4. Attractive rubber dividers (Black or Silver) create individual lens sections maximizing readability and functionality.
5. Optional End Caps in a variety of materials (wood, marbled acrylic and aluminum) and shapes for custom designs.



AdVantage Kit

Everything you need to make the sale! Complete with ADA installation guidelines, travel bag, and (3) HID Interior full size samples. Visit the Howard Industries website for more information and to order.



www.ADA-AdVantage.com



HID-PG05152017

www.howardindustries.com



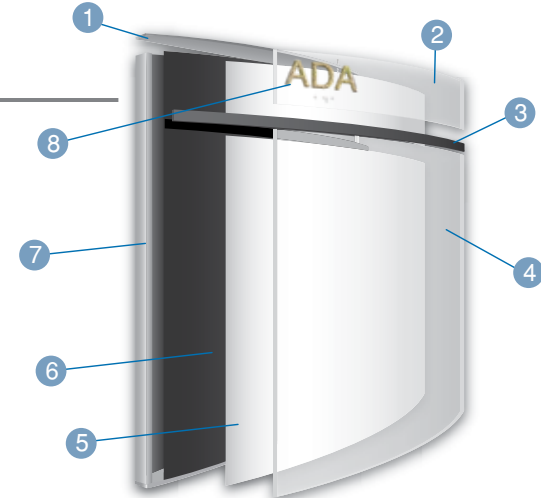
WMP-R Series
Silver Divider & Wood Caps



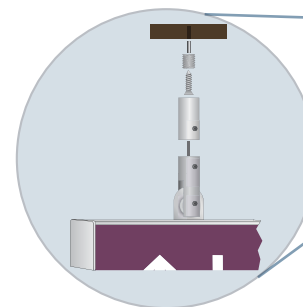
PWML-F Series
Printed Divider & Wood Caps

HID-Interior System

- 1 .125" Simulated Aluminum End Caps
- 2 Small Non Glare Lens Cover
- 3 .3" Black or Silver Divider Strip (Optional)
- 4 Large Non Glare Lens Cover
- 5 Paper Insert
- 6 Black Micro Dot Panel
- 7 HID Aluminum Extrusion
- 8 ADA Tactile & Grade 2 Braille



Ceiling Mount Hardware Detail

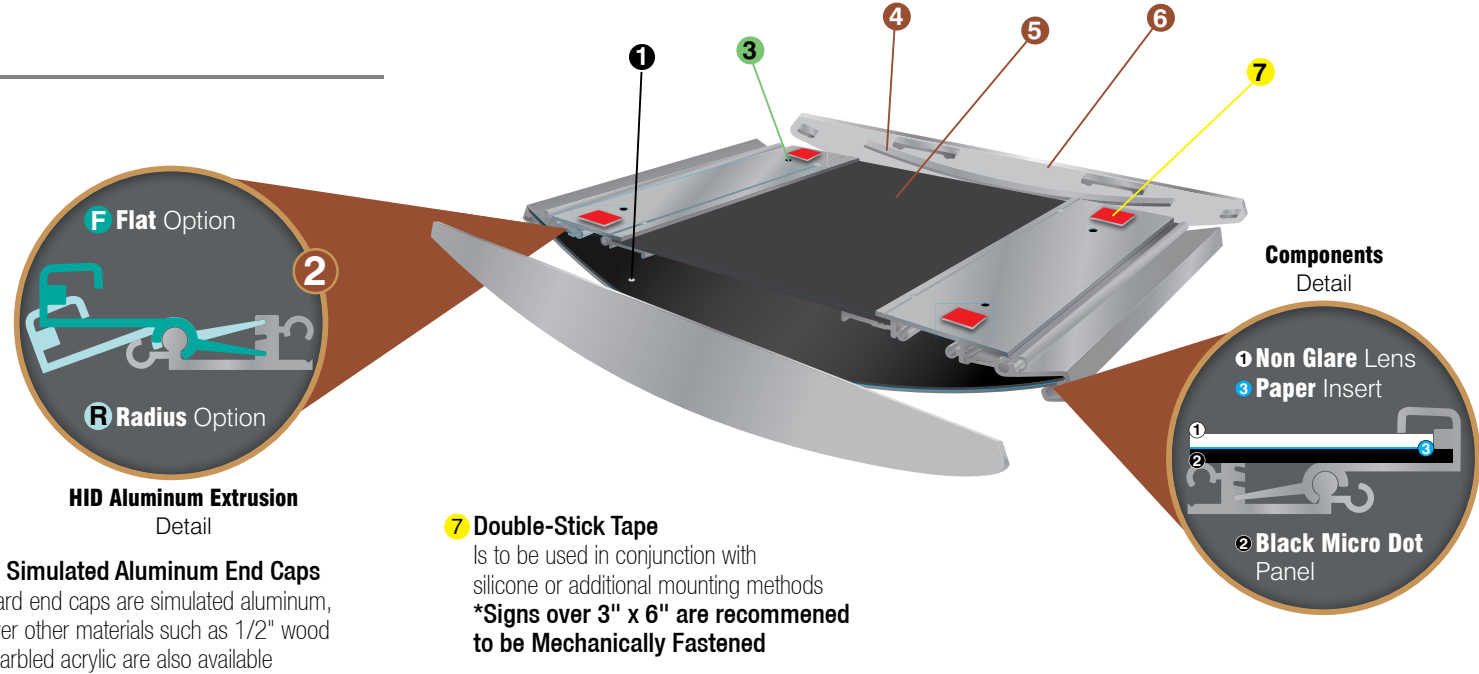


CML-F Series
Hardware & Standard Caps



Special Features


- 1 Black Micro Dot Panel**
Supports paper insert and is removable with the suction cup for installation
- 2 HID Aluminum Extrusion**
The innovative design of the extrusion permits use for both flat and radius sign options (Once sign is constructed in the chosen sign style, you can not change)
- 3 Pre-drilled Mounting Holes**
Standard at 3/16 of an inch dia.
- 4 Pressure Tabs**
Secure end caps to extruded frame and provide a fastener-free finished appearance
- 5 2mm Sintra Back Panel**
Joins the extrusion pieces



Installation Instructions



- 7 Double-Stick Tape (Option)**
 - 1** Using the suction cup, remove the non glare lens from the sign face.
 - 2** Insert the paper graphic. The graphic size will be the same size as the non glare lens or slightly smaller. (Paper extends 3/16 of an inch into the frame on either side).
 - 3** Reinsert the non glare lens over the graphic and into the sign extrusion.
 - 4** Turn the sign over and peel backing off the double-stick tape.
 - 5** Hold sign flush and level to desired location and apply pressure for sign to adhere to surface.

- 4 Pre-Drilled Mounting Holes (Option)**
 - 1** Using the suction cup, remove the non glare lens and the black micro dot panel to expose the aluminum back of the sign system.
- 
- 2** Turn sign over and peel backing off the double-stick tape.
 - 3** Hold sign flush and level to desired area and apply pressure for sign to adhere to surface. Insert screws through provided 3/16 of an inch dia. mounting holes.

- 4** Replace the micro dot black panel in the appropriate extrusion slot.
- 5** Insert the paper graphic. The graphic size will be the same size as the non glare lens or slightly smaller. (Paper extends 3/16 of an inch into the frame on either side).
- 6** Reinsert the non glare lens over the graphic and into the sign extrusion.

All exposed sign surfaces should be cleaned with an AMMONIA AND ALCOHOL FREE mild detergent.



ADA Alternative® Substrate for Tactile

Tactile colors offered by Howard Industries. Other color options available upon request.

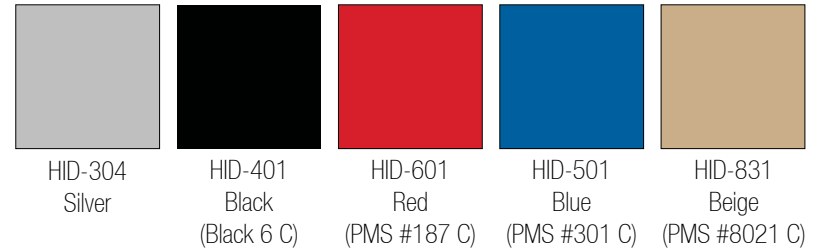
*Stock colors



Colors represented above may not be represented accurately. Please contact a sales representative for accurate color samples.

Interior Standard End Cap Colors

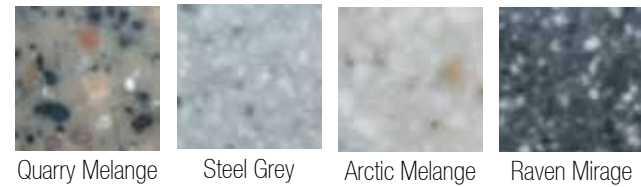
Standard colors are included in sign cost. Other color options are available at an additional cost.



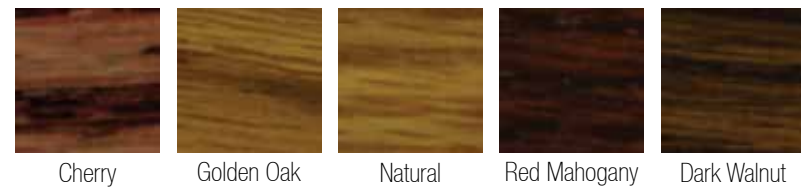
Additional Interior End Cap Options

In addition to the standard simulated aluminum end caps, marbled acrylic and wood materials are available. Below you will see our stock cap options.

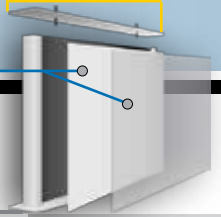
Marbled Acrylic End Caps



Wood End Caps: Custom staining is available



Colors represented above may not be represented accurately. Please contact a sales representative for accurate color samples.



WMP-F600 Series (Caps are 6.5" Width)

	WMP-F602	WMP-F603	WMP-F604	WMP-F605	WMP-F606	WMP-F608	WMP-F610	WMP-F612	WMP-F614
Lens/ Graphic Size									
	(H) 2" x 6" (W)	(H) 3" x 6" (W)	(H) 4" x 6" (W)	(H) 5" x 6" (W)	(H) 6" x 6" (W)	(H) 8" x 6" (W)	(H) 10" x 6" (W)	(H) 12" x 6" (W)	(H) 14" x 6" (W)

WMP-F700 Series (Caps are 7.5" Width)

	WMP-F702	WMP-F703	WMP-F704	WMP-F705	WMP-F706	WMP-F708	WMP-F710	WMP-F712	WMP-F714
Lens/ Graphic Size									
	(H) 2" x 7" (W)	(H) 3" x 7" (W)	(H) 4" x 7" (W)	(H) 5" x 7" (W)	(H) 6" x 7" (W)	(H) 8" x 7" (W)	(H) 10" x 7" (W)	(H) 12" x 7" (W)	(H) 14" x 7" (W)

WMP-F850 Series (Caps are 9" Width)

	WMP-F852	WMP-F853	WMP-F854	WMP-F856	WMP-F858	WMP-F8510	LETTER PAPER WMP-F8511	WMP-F8512	LEGAL PAPER WMP-F8514
Lens/ Graphic Size									
	(H) 2" x 8.5" (W)	(H) 3" x 8.5" (W)	(H) 4" x 8.5" (W)	(H) 6" x 8.5" (W)	(H) 8" x 8.5" (W)	(H) 10" x 8.5" (W)	(H) 11" x 8.5" (W)	(H) 12" x 8.5" (W)	(H) 14" x 8.5" (W)

WMP-F1000 Series (Caps are 10.5" Width)

	WMP-F1002	WMP-F1003	WMP-F1004	WMP-F1005	WMP-F1006	WMP-F1008	WMP-F1010	WMP-F1012	WMP-F1014
Lens/ Graphic Size									
	(H) 2" x 10" (W)	(H) 3" x 10" (W)	(H) 4" x 10" (W)	(H) 5" x 10" (W)	(H) 6" x 10" (W)	(H) 8" x 10" (W)	(H) 10" x 10" (W)	(H) 12" x 10" (W)	(H) 14" x 10" (W)



INTERIOR SIGN SYSTEM

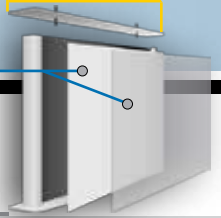
Wall Mount Portrait-Flat Series (WMP-F)

HID-PG05152017

WHOLESALE

Overall Sign Size

Lens/ Graphic Size



WMP-F1100 Series (Caps are 11.5" Width)

	WMP-F1103	WMP-F1104	WMP-F1105	WMP-F1106	LETTER PAPER WMP-F1185	WMP-F1110	WMP-F1112	WMP-F1114
Lens/ Graphic Size								
	(H) 3" x 11" (W)	(H) 4" x 11" (W)	(H) 5" x 11" (W)	(H) 6" x 11" (W)	(H) 8.5" x 11" (W)	(H) 10" x 11" (W)	(H) 12" x 11" (W)	(H) 14" x 11" (W)

WMP-F1200 Series (Caps are 12.5" Width)

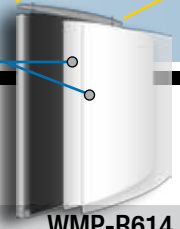
	WMP-F1203	WMP-F1204	WMP-F1205	WMP-F1206	WMP-F1208	WMP-F1210	WMP-F1212	WMP-F1214
Lens/ Graphic Size								
	(H) 3" x 12" (W)	(H) 4" x 12" (W)	(H) 5" x 12" (W)	(H) 6" x 12" (W)	(H) 8" x 12" (W)	(H) 10" x 12" (W)	(H) 12" x 12" (W)	(H) 14" x 12" (W)

WMP-F1400 Series (Caps are 14.5" Width)

	WMP-F1403	WMP-F1404	WMP-F1405	WMP-F1406	LEGAL PAPER WMP-F1485	WMP-F1410	WMP-F1412	WMP-F1414
Lens/ Graphic Size								
	(H) 3" x 14" (W)	(H) 4" x 14" (W)	(H) 5" x 14" (W)	(H) 6" x 14" (W)	(H) 8.5" x 14" (W)	(H) 10" x 14" (W)	(H) 12" x 14" (W)	(H) 14" x 14" (W)

WMP-F1600 Series (Caps are 16.5" Width)

	WMP-F1603	WMP-F1604	WMP-F1605	WMP-F1606	WMP-F1608	WMP-F1610	WMP-F1612	WMP-F1614
Lens/ Graphic Size								
	(H) 3" x 16" (W)	(H) 4" x 16" (W)	(H) 5" x 16" (W)	(H) 6" x 16" (W)	(H) 8" x 16" (W)	(H) 10" x 16" (W)	(H) 12" x 16" (W)	(H) 14" x 16" (W)



WMP-R600 Series (Caps are 6.375" Width)

	WMP-R602	WMP-R603	WMP-R604	WMP-R605	WMP-R606	WMP-R608	WMP-R610	WMP-R612	WMP-R614
Lens/ Graphic Size									
	(H) 2" x 6" (W)	(H) 3" x 6" (W)	(H) 4" x 6" (W)	(H) 5" x 6" (W)	(H) 6" x 6" (W)	(H) 8" x 6" (W)	(H) 10" x 6" (W)	(H) 12" x 6" (W)	(H) 14" x 6" (W)

WMP-R700 Series (Caps are 7.375" Width)

	WMP-R702	WMP-R703	WMP-R704	WMP-R705	WMP-R706	WMP-R708	WMP-R710	WMP-R712	WMP-R714
Lens/ Graphic Size									
	(H) 2" x 7" (W)	(H) 3" x 7" (W)	(H) 4" x 7" (W)	(H) 5" x 7" (W)	(H) 6" x 7" (W)	(H) 8" x 7" (W)	(H) 10" x 7" (W)	(H) 12" x 7" (W)	(H) 14" x 7" (W)

WMP-R850 Series (Caps are 8.75" Width)

	WMP-R852	WMP-R853	WMP-R854	WMP-R856	WMP-R858	WMP-R8510	LETTER PAPER WMP-R8511	WMP-R8512	LEGAL PAPER WMP-R8514
Lens/ Graphic Size									
	(H) 2" x 8.5" (W)	(H) 3" x 8.5" (W)	(H) 4" x 8.5" (W)	(H) 6" x 8.5" (W)	(H) 8" x 8.5" (W)	(H) 10" x 8.5" (W)	(H) 11" x 8.5" (W)	(H) 12" x 8.5" (W)	(H) 14" x 8.5" (W)

WMP-R1000 Series (Caps are 10.25" Width)

	WMP-R1002	WMP-R1003	WMP-R1004	WMP-R1005	WMP-R1006	WMP-R1008	WMP-R1010	WMP-R1012	WMP-R1014
Lens/ Graphic Size									
	(H) 2" x 10" (W)	(H) 3" x 10" (W)	(H) 4" x 10" (W)	(H) 5" x 10" (W)	(H) 6" x 10" (W)	(H) 8" x 10" (W)	(H) 10" x 10" (W)	(H) 12" x 10" (W)	(H) 14" x 10" (W)



INTERIOR SIGN SYSTEM

Wall Mount Portrait-Radius Series (WMP-R)

HID-PG05152017

WHOLESALE

Lens/ Graphic Size

Overall Sign Size



WMP-R1100 Series (Caps are 11.25" Width)

	WMP-R1103	WMP-R1104	WMP-R1105	WMP-R1106	LETTER PAPER WMP-R1185	WMP-R1110	WMP-R1112	WMP-R1114
Lens/ Graphic Size								
	(H) 3" x 11" (W)	(H) 4" x 11" (W)	(H) 5" x 11" (W)	(H) 6" x 11" (W)	(H) 8.5" x 11" (W)	(H) 10" x 11" (W)	(H) 12" x 11" (W)	(H) 14" x 11" (W)

WMP-R1200 Series (Caps are 12.375" Width)

	WMP-R1203	WMP-R1204	WMP-R1205	WMP-R1206	WMP-R1208	WMP-R1210	WMP-R1212	WMP-R1214
Lens/ Graphic Size								
	(H) 3" x 12" (W)	(H) 4" x 12" (W)	(H) 5" x 12" (W)	(H) 6" x 12" (W)	(H) 8" x 12" (W)	(H) 10" x 12" (W)	(H) 12" x 12" (W)	(H) 14" x 12" (W)

WMP-R1400 Series (Caps are 14.25" Width)

	WMP-R1403	WMP-R1404	WMP-R1405	WMP-R1406	LEGAL PAPER WMP-R1485	WMP-R1410	WMP-R1412	WMP-R1414
Lens/ Graphic Size								
	(H) 3" x 14" (W)	(H) 4" x 14" (W)	(H) 5" x 14" (W)	(H) 6" x 14" (W)	(H) 8.5" x 14" (W)	(H) 10" x 14" (W)	(H) 12" x 14" (W)	(H) 14" x 14" (W)

WMP-R1600 Series (Caps are 16.125" Width)

	WMP-R1603	WMP-R1604	WMP-R1605	WMP-R1606	WMP-R1608	WMP-R1610	WMP-R1612	WMP-R1614
Lens/ Graphic Size								
	(H) 3" x 16" (W)	(H) 4" x 16" (W)	(H) 5" x 16" (W)	(H) 6" x 16" (W)	(H) 8" x 16" (W)	(H) 10" x 16" (W)	(H) 12" x 16" (W)	(H) 14" x 16" (W)

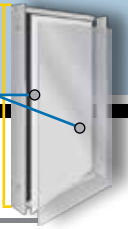


WML-F600 Series (Caps are 6.5" High)

	WML-F612	WML-F618	WML-F624	WML-F628	WML-F632	WML-F634
Lens/ Graphic Size						
	(H) 6" x 12" (W)	(H) 6" x 18" (W)	(H) 6" x 24" (W)	(H) 6" x 28" (W)	(H) 6" x 32" (W)	(H) 6" x 34" (W)
	WML-F636		WML-F642			
Lens/ Graphic Size						
	(H) 6" x 36" (W)		(H) 6" x 42" (W)			

WML-F700 Series (Caps are 7.5" High)

	WML-F712	WML-F718	WML-F724	WML-F728	WML-F732	WML-F734
Lens/ Graphic Size						
	(H) 7" x 12" (W)	(H) 7" x 18" (W)	(H) 7" x 24" (W)	(H) 7" x 28" (W)	(H) 7" x 32" (W)	(H) 7" x 34" (W)
	WML-F736		WML-F742			
Lens/ Graphic Size						
	(H) 7" x 36" (W)		(H) 7" x 42" (W)			



WML-F850 Series (Caps are 9" High)

	LETTER PAPER WML-F8511	LEGAL PAPER WML-F8514	WML-F8524	WML-F8528	WML-F8532	WML-F8534
Lens/ Graphic Size						
	(H) 8.5" x 11" (W)	(H) 8.5" x 14" (W)	(H) 8.5" x 24" (W)	(H) 8.5" x 28" (W)	(H) 8.5" x 32" (W)	(H) 8.5" x 34" (W)
	WML-F8536		WML-F8542			
Lens/ Graphic Size						
	(H) 8.5" x 36" (W)		(H) 8.5" x 42" (W)			

WML-F1000 Series (Caps are 10.5" High)

	WML-F1012	WML-F1018	WML-F1024	WML-F1028	WML-F1032	WML-F1034
Lens/ Graphic Size						
	(H) 10" x 12" (W)	(H) 10" x 18" (W)	(H) 10" x 24" (W)	(H) 10" x 28" (W)	(H) 10" x 32" (W)	(H) 10" x 34" (W)
	WML-F1036		WML-F1042			
Lens/ Graphic Size						
	(H) 10" x 36" (W)		(H) 10" x 42" (W)			



WML-F1100 Series (Caps are 11.5" High)

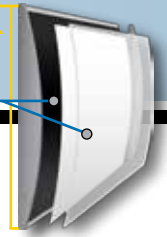
	WML-F1112	WML-F1118	WML-F1124	WML-F1128	WML-F1132	WML-F1134
Lens/ Graphic Size						
	(H) 11" x 12" (W)	(H) 11" x 18" (W)	(H) 11" x 24" (W)	(H) 11" x 28" (W)	(H) 11" x 32" (W)	(H) 11" x 34" (W)

	WML-F1136	WML-F1142
Lens/ Graphic Size		
	(H) 11" x 36" (W)	(H) 11" x 42" (W)

WML-F1200 Series (Caps are 12.5" High)

	WML-F1212	WML-F1218	WML-F1224	WML-F1228	WML-F1232	WML-F1234
Lens/ Graphic Size						
	(H) 12" x 12" (W)	(H) 12" x 18" (W)	(H) 12" x 24" (W)	(H) 12" x 28" (W)	(H) 12" x 32" (W)	(H) 12" x 34" (W)

	WML-F1236	WML-F1242
Lens/ Graphic Size		
	(H) 12" x 36" (W)	(H) 12" x 42" (W)

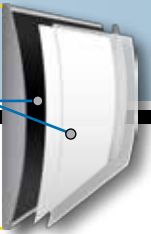


WML-R600 Series (Caps are 6.375" High)

	WML-R612	WML-R618	WML-R624	WML-R628	WML-R632	WML-R634
Lens/ Graphic Size						
	(H) 6" x 12" (W)	(H) 6" x 18" (W)	(H) 6" x 24" (W)	(H) 6" x 28" (W)	(H) 6" x 32" (W)	(H) 6" x 34" (W)
	WML-R636		WML-R642			
Lens/ Graphic Size						
	(H) 6" x 36" (W)		(H) 6" x 42" (W)			

WML-R700 Series (Caps are 7.375" High)

	WML-R712	WML-R718	WML-R724	WML-R728	WML-R732	WML-R734
Lens/ Graphic Size						
	(H) 7" x 12" (W)	(H) 7" x 18" (W)	(H) 7" x 24" (W)	(H) 7" x 28" (W)	(H) 7" x 32" (W)	(H) 7" x 34" (W)
	WML-R736		WML-R742			
Lens/ Graphic Size						
	(H) 7" x 36" (W)		(H) 7" x 42" (W)			

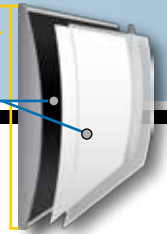


WML-F850 Series (Caps are 8.75" High)

	LETTER PAPER WML-R8511	LEGAL PAPER WML-R8514	WML-R8524	WML-R8528	WML-R8532	WML-R8534
Lens/ Graphic Size						
	(H) 8.5" x 11" (W)	(H) 8.5" x 14" (W)	(H) 8.5" x 24" (W)	(H) 8.5" x 28" (W)	(H) 8.5" x 32" (W)	(H) 8.5" x 34" (W)
	WML-R8536		WML-R8542			
Lens/ Graphic Size						
	(H) 8.5" x 36" (W)		(H) 8.5" x 42" (W)			

WML-F1000 Series (Caps are 10.25" High)

	WML-R1012	WML-R1018	WML-R1024	WML-R1028	WML-R1032	WML-R1034
Lens/ Graphic Size						
	(H) 10" x 12" (W)	(H) 10" x 18" (W)	(H) 10" x 24" (W)	(H) 10" x 28" (W)	(H) 10" x 32" (W)	(H) 10" x 34" (W)
	WML-R1036		WML-R1042			
Lens/ Graphic Size						
	(H) 10" x 36" (W)		(H) 10" x 42" (W)			



WML-R1100 Series (Caps are 11.25" High)

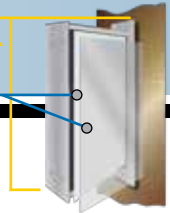
	WML-R1112	WML-R1118	WML-R1124	WML-R1128	WML-R1132	WML-R1134
Lens/ Graphic Size						
	(H) 11" x 12" (W)	(H) 11" x 18" (W)	(H) 11" x 24" (W)	(H) 11" x 28" (W)	(H) 11" x 32" (W)	(H) 11" x 34" (W)

	WML-R1136	WML-R1142
Lens/ Graphic Size		
	(H) 11" x 36" (W)	(H) 11" x 42" (W)

WML-R1200 Series (Caps are 12.375" High)

	WML-R1212	WML-R1218	WML-R1224	WML-R1228	WML-R1232	WML-R1234
Lens/ Graphic Size						
	(H) 12" x 12" (W)	(H) 12" x 18" (W)	(H) 12" x 24" (W)	(H) 12" x 28" (W)	(H) 12" x 32" (W)	(H) 12" x 34" (W)

	WML-R1236	WML-R1242
Lens/ Graphic Size		
	(H) 12" x 36" (W)	(H) 12" x 42" (W)



PWML-F600 Series (Outside Cap is 6.5" Width, Wall Side is 8")

	PWML-F606	PWML-F608	PWML-F610	PWML-F612	PWML-F614	PWML-F616
Lens/ Graphic Size						
	(H) 6" x 6" (W)	(H) 6" x 8" (W)	(H) 6" x 10" (W)	(H) 6" x 12" (W)	(H) 6" x 14" (W)	(H) 6" x 16" (W)

PWML-F800 Series (Outside Cap is 8.5" Width, Wall Side is 10")

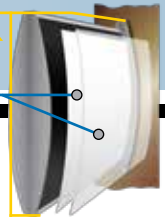
	PWML-F806	PWML-F808	PWML-F810	PWML-F812	PWML-F814	PWML-F816
Lens/ Graphic Size						
	(H) 8" x 6" (W)	(H) 8" x 8" (W)	(H) 8" x 10" (W)	(H) 8" x 12" (W)	(H) 8" x 14" (W)	(H) 8" x 16" (W)

PWML-F850 Series (Outside Cap is 9" Width, Wall Side is 10.5")

	PWML-F856	PWML-F858	PWML-F8510	LETTER PAPER PWML-F8511	PWML-F8512	LEGAL PAPER PWML-F8514
Lens/ Graphic Size						
	(H) 8.5" x 6" (W)	(H) 8.5" x 8" (W)	(H) 8.5" x 10" (W)	(H) 8.5" x 11" (W)	(H) 8.5" x 12" (W)	(H) 8.5" x 14" (W)

PWML-F1000 Series (Outside Cap is 10.5" Width, Wall Side is 12")

	PWML-F1006	PWML-F1008	PWML-F1010	PWML-F1012	PWML-F1014	PWML-F1016
Lens/ Graphic Size						
	(H) 10" x 6" (W)	(H) 10" x 8" (W)	(H) 10" x 10" (W)	(H) 10" x 12" (W)	(H) 10" x 14" (W)	(H) 10" x 16" (W)



PWML-R600 Series (Outside Cap is 6.375" Width, Wall Side is 8")

	PWML-R606	PWML-R608	PWML-R610	PWML-R612	PWML-R614
Lens/ Graphic Size					
	(H) 6" x 6" (W)	(H) 6" x 8" (W)	(H) 6" x 10" (W)	(H) 6" x 12" (W)	(H) 6" x 14" (W)

PWML-R800 Series (Outside Cap is 8.375" Width, Wall Side is 10")

	PWML-R806	PWML-R808	PWML-R810	PWML-R812	PWML-R814
Lens/ Graphic Size					
	(H) 8" x 6" (W)	(H) 8" x 8" (W)	(H) 8" x 10" (W)	(H) 8" x 12" (W)	(H) 8" x 14" (W)

PWML-R850 Series (Outside Cap is 8.75" Width, Wall Side is 10.375")

	PWML-R856	PWML-R858	PWML-R8510	LETTER PAPER PWML-R8511	PWML-R8512	LEGAL PAPER PWML-R8514
Lens/ Graphic Size						
	(H) 8.5" x 6" (W)	(H) 8.5" x 8" (W)	(H) 8.5" x 10" (W)	(H) 8.5" x 11" (W)	(H) 8.5" x 12" (W)	(H) 8.5" x 14" (W)

PWML-R1000 Series (Outside Cap is 10.25" Width, Wall Side is 11.875")

	PWML-R1006	PWML-R1008	PWML-R1010	PWML-R1012	PWML-R1014
Lens/ Graphic Size					
	(H) 10" x 6" (W)	(H) 10" x 8" (W)	(H) 10" x 10" (W)	(H) 10" x 12" (W)	(H) 10" x 14" (W)



INTERIOR SIGN SYSTEM

Ceiling Mount Landscape-Flat Series (CML-F)

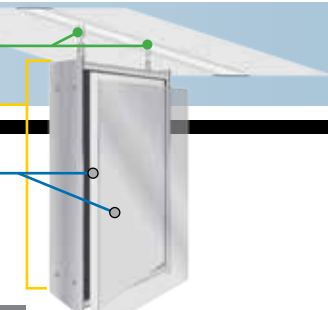
HID-PG05152017

WHOLESALE

Typical Ceiling Mount Hardware

Overall Sign Size

Lens/ Graphic Size



CML-F600 DF / CML-F600 SF Series (Caps are 6.5" High)

CML-F612 DF/SF	CML-F618 DF/SF	CML-F624 DF/SF	CML-F628 DF/SF	CML-F632 DF/SF	CML-F634 DF/SF
(H) 6" x 12" (W)	(H) 6" x 18" (W)	(H) 6" x 24" (W)	(H) 6" x 28" (W)	(H) 6" x 32" (W)	(H) 6" x 34" (W)

CML-F636 DF/SF	CML-F642 DF/SF
(H) 6" x 36" (W)	(H) 6" x 42" (W)

CML-F700 DF / CML-F700 SF Series (Caps are 7.5" High)

CML-F712 DF/SF	CML-F718 DF/SF	CML-F724 DF/SF	CML-F728 DF/SF	CML-F732 DF/SF	CML-F734 DF/SF
(H) 7" x 12" (W)	(H) 7" x 18" (W)	(H) 7" x 24" (W)	(H) 7" x 28" (W)	(H) 7" x 32" (W)	(H) 7" x 34" (W)

CML-F736 DF/SF	CML-F742 DF/SF
(H) 7" x 36" (W)	(H) 7" x 42" (W)



INTERIOR SIGN SYSTEM

Ceiling Mount Landscape-Flat Series (CML-F)

HID-PG05152017

WHOLESALE

Typical Ceiling Mount Hardware

Overall Sign Size

Lens/ Graphic Size



CML-F850 DF / CML-F850 SF Series (Caps are 9" High)

LETTER PAPER
CML-F8511 DF/SF

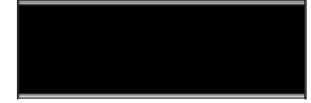
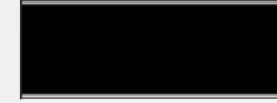
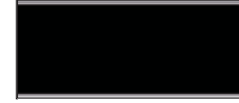
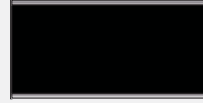
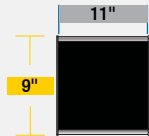
LEGAL PAPER
CML-F8514 DF/SF

CML-F8524 DF/CF

CML-F8528 DF/SF

CML-F8532 DF/SF

CML-F8534 DF/SF



(H) 8.5" x 11" (W)

(H) 8.5" x 14" (W)

(H) 8.5" x 24" (W)

(H) 8.5" x 28" (W)

(H) 8.5" x 32" (W)

(H) 8.5" x 34" (W)

CML-F8536 DF/SF

CML-F8542 DF/SF



(H) 8.5" x 36" (W)

(H) 8.5" x 42" (W)

CML-F1000 DF / CML-F1000 SF Series (Caps are 10.5" High)

CML-F1012 DF/SF

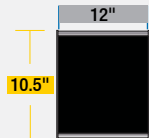
CML-F1018 DF/SF

CML-F1024 DF/SF

CML-F1028 DF/SF

CML-F1032 DF/SF

CML-F1034 DF/SF



(H) 10" x 12" (W)

(H) 10" x 18" (W)

(H) 10" x 24" (W)

(H) 10" x 28" (W)

(H) 10" x 32" (W)

(H) 10" x 34" (W)

CML-F1036 DF/SF

CML-F1042 DF/SF



(H) 10" x 36" (W)

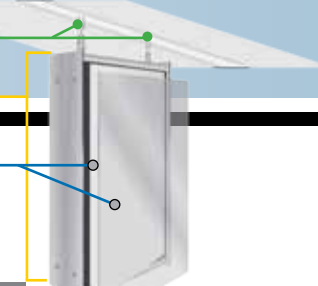
(H) 10" x 42" (W)



Typical Ceiling Mount Hardware

Overall Sign Size

Lens/ Graphic Size



CML-F1100 DF / CML-F1100 SF Series (Caps are 11.5" High)

CML-F1112 DF/SF	CML-F1118 DF/SF	CML-F1124 DF/SF	CML-F1128 DF/SF	CML-F1132 DF/SF	CML-F1134 DF/SF
(H) 11" x 12" (W)	(H) 11" x 18" (W)	(H) 11" x 24" (W)	(H) 11" x 28" (W)	(H) 11" x 32" (W)	(H) 11" x 34" (W)

CML-F1136 DF/SF	CML-F1142 DF/SF
(H) 11" x 36" (W)	(H) 11" x 42" (W)

CML-F1200 DF / CML-F1200 SF Series (Caps are 12.5" High)

CML-F1212 DF/SF	CML-F1218 DF/SF	CML-F1224 DF/SF	CML-F1228 DF/SF	CML-F1232 DF/SF	CML-F1234 DF/SF
(H) 12" x 12" (W)	(H) 12" x 18" (W)	(H) 12" x 24" (W)	(H) 12" x 28" (W)	(H) 12" x 32" (W)	(H) 12" x 34" (W)

CML-F1236 DF/SF	CML-F1242 DF/SF
(H) 12" x 36" (W)	(H) 12" x 42" (W)



INTERIOR SIGN SYSTEM

Ceiling Mount Landscape-Radius Series (CML-R)

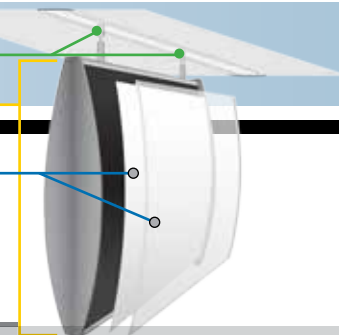
WHOLESALE

HID-PG05152017

Typical Ceiling Mount Hardware

Overall Sign Size

Lens/ Graphic Size



CML-R600 DF / CML-R600 SF Series (Caps are 6.375" High)

	CML-R612 DF/SF	CML-R618 DF/SF	CML-R624 DF/SF	CML-R628 DF/SF	CML-R632 DF/SF	CML-R634 DF/SF
Lens/ Graphic Size						
	(H) 6" x 12" (W)	(H) 6" x 18" (W)	(H) 6" x 24" (W)	(H) 6" x 28" (W)	(H) 6" x 32" (W)	(H) 6" x 34" (W)

	CML-R636 DF/SF	CML-R642 DF/SF
Lens/ Graphic Size		
	(H) 6" x 36" (W)	(H) 6" x 42" (W)

CML-R700 DF / CML-R700 SF Series (Caps are 7.375" High)

	CML-R712 DF/SF	CML-R718 DF/SF	CML-R724 DF/SF	CML-R728 DF/SF	CML-R732 DF/SF	CML-R734 DF/SF
Lens/ Graphic Size						
	(H) 7" x 12" (W)	(H) 7" x 18" (W)	(H) 7" x 24" (W)	(H) 7" x 28" (W)	(H) 7" x 32" (W)	(H) 7" x 34" (W)

	CML-R736 DF/SF	CML-R742 DF/SF
Lens/ Graphic Size		
	(H) 7" x 36" (W)	(H) 7" x 42" (W)



INTERIOR SIGN SYSTEM

Ceiling Mount Landscape-Radius Series (CML-R)

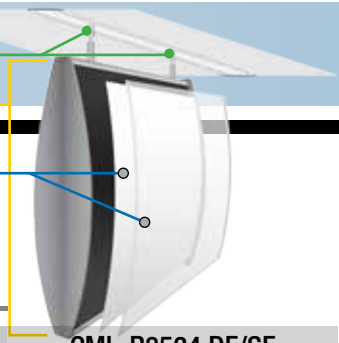
HID-PG05152017

WHOLESALE

Typical Ceiling Mount Hardware

Overall Sign Size

Lens/ Graphic Size



CML-R850 DF / CML-R850 SF Series (Caps are 8.75" High)

	LETTER PAPER CML-R8511 DF/SF	LEGAL PAPER CML-R8514 DF/SF	CML-R8524 DF/SF	CML-R8528 DF/SF	CML-R8532 DF/SF	CML-R8534 DF/SF
Lens/ Graphic Size						
	(H) 8.5" x 11" (W)	(H) 8.5" x 14" (W)	(H) 8.5" x 24" (W)	(H) 8.5" x 28" (W)	(H) 8.5" x 32" (W)	(H) 8.5" x 34" (W)
	CML-R8536 DF/SF		CML-R8542 DF/SF			
Lens/ Graphic Size						
	(H) 8.5" x 36" (W)		(H) 8.5" x 42" (W)			

CML-R1000 DF / CML-R1000 SF Series (Caps are 10.25" High)

	CML-R1012 DF/SF	CML-R1018 DF/SF	CML-R1024 DF/SF	CML-R1028 DF/SF	CML-R1032 DF/SF	CML-R1034 DF/SF
Lens/ Graphic Size						
	(H) 10" x 12" (W)	(H) 10" x 18" (W)	(H) 10" x 24" (W)	(H) 10" x 28" (W)	(H) 10" x 32" (W)	(H) 10" x 34" (W)
	CML-R1036 DF/SF		CML-R1042 DF/SF			
Lens/ Graphic Size						
	(H) 10" x 36" (W)		(H) 10" x 42" (W)			

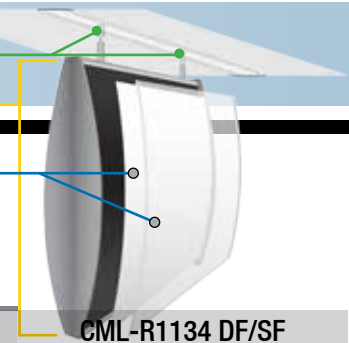


HID-PG05152017

Typical Ceiling Mount Hardware

Overall Sign Size

Lens/ Graphic Size



CML-R1100 DF / CML-R1100 SF Series (Caps are 11.25" High)

CML-R1112 DF/SF	CML-R1118 DF/SF	CML-R1124 DF/SF	CML-R1128 DF/SF	CML-R1132 DF/SF	CML-R1134 DF/SF
(H) 11" x 12" (W)	(H) 11" x 18" (W)	(H) 11" x 24" (W)	(H) 11" x 28" (W)	(H) 11" x 32" (W)	(H) 11" x 34" (W)

CML-R1136 DF/SF	CML-R1142 DF/SF
(H) 11" x 36" (W)	(H) 11" x 42" (W)

CML-R1200 DF / CML-R1200 SF Series (Caps are 12.375" High)

CML-R1212 DF/SF	CML-R1218 DF/SF	CML-R1224 DF/SF	CML-R1228 DF/SF	CML-R1232 DF/SF	CML-R1234 DF/SF
(H) 12" x 12" (W)	(H) 12" x 18" (W)	(H) 12" x 24" (W)	(H) 12" x 28" (W)	(H) 12" x 32" (W)	(H) 12" x 34" (W)

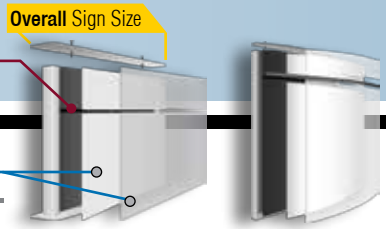
CML-R1236 DF/SF	CML-R1242 DF/SF
(H) 12" x 36" (W)	(H) 12" x 42" (W)



Black/ Silver Divider

Overall Sign Size

Lens/ Graphic Size



Directory Standards (F)Flat & (R)Radius

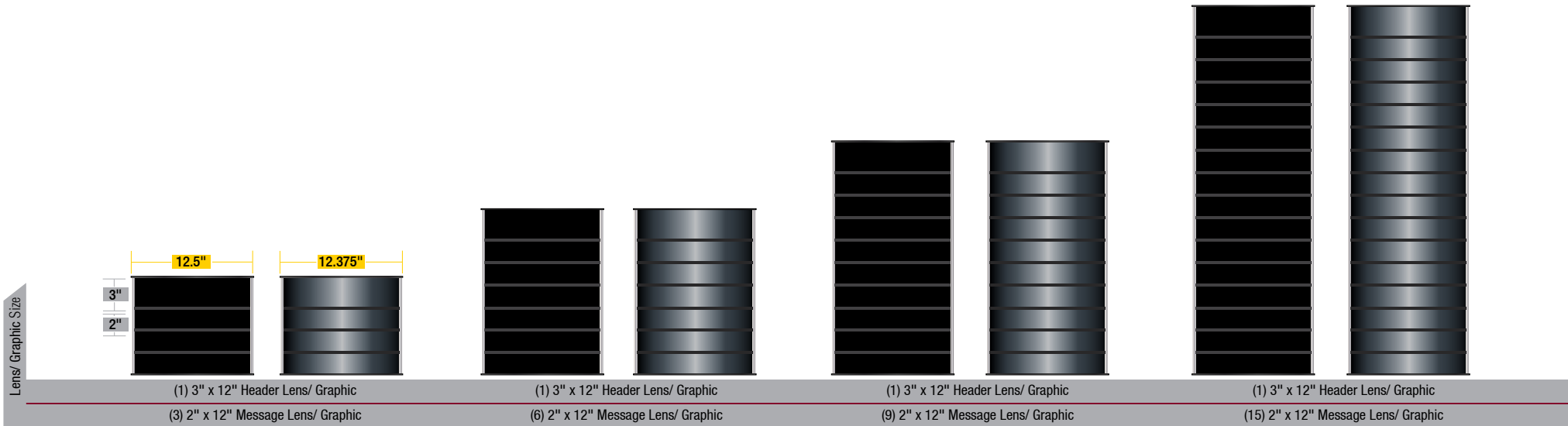
Divider strips come in either Black or Silver. Paper insert is not included in the price.

DWMP-(F)(R)1210

DWMP-(F)(R)1217

DWMP-(F)(R)1224

DWMP-(F)(R)1238

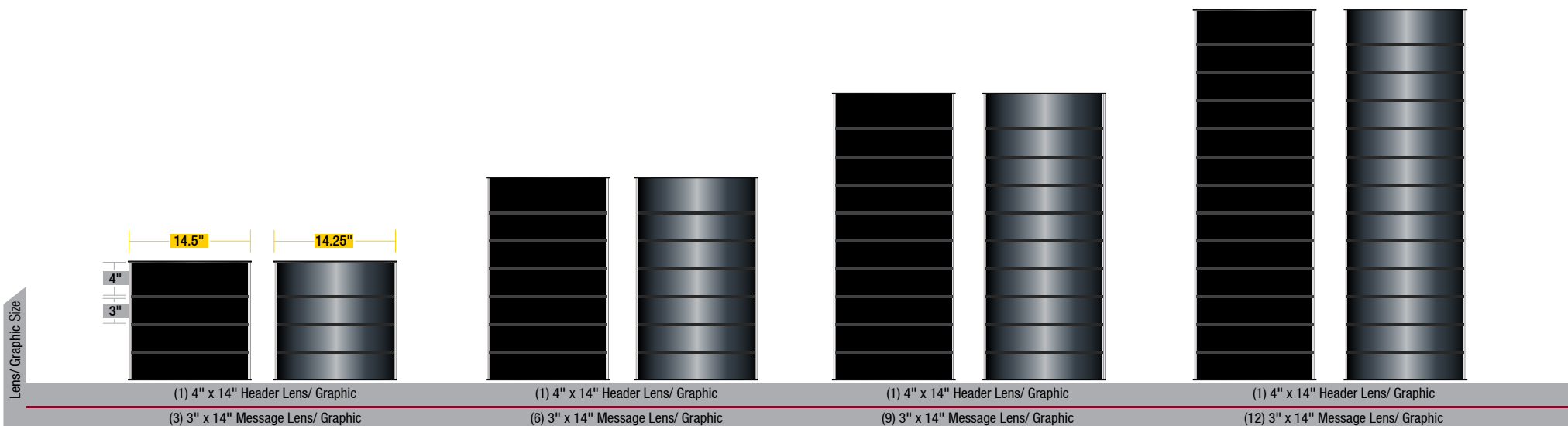


DWMP-(F)(R)1414

DWMP-(F)(R)1424

DWMP-(F)(R)1434

DWMP-(F)(R)1440





INTERIOR SIGN SYSTEM

Directory Wall Mount Portrait (DWMP)

HID-PG05152017

WHOLESALE

Black/ Silver Divider

Overall Sign Size

Lens/ Graphic Size

Directory Standards (F)Flat & (R)Radius

Divider strips come in either Black or Silver. Paper insert is not included in the price.

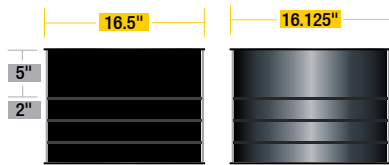
DWMP-(F)(R)1612

DWMP-(F)(R)1628

DWMP-(F)(R)1640

DWMP-(F)(R)1652

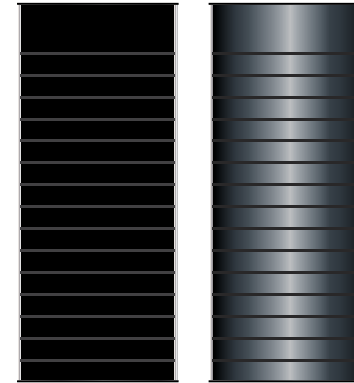
Lens/ Graphic Size



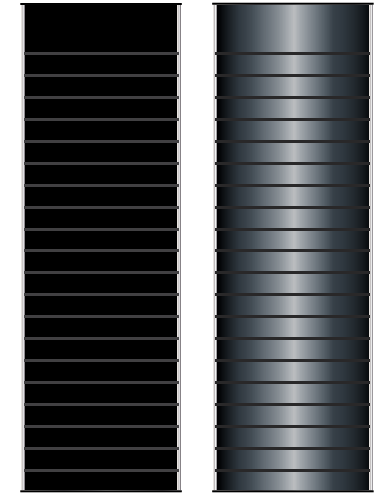
(1) 5" x 16" Header Lens/ Graphic
 (3) 2" x 16" Message Lens/ Graphic



(1) 5" x 16" Header Lens/ Graphic
 (10) 2" x 16" Message Lens/ Graphic



(1) 5" x 16" Header Lens/ Graphic
 (15) 2" x 16" Message Lens/ Graphic



(1) 5" x 16" Header Lens/ Graphic
 (20) 2" x 16" Message Lens/ Graphic

1 DWMP-R Series
 Silver Divider & Custom Acrylic Caps



4 DWMP-R Series
 Silver Divider & Standard Caps



DWMP-F Series
 Black Divider & Wood Caps



DWMP-R Series
 Silver Divider & Standard Caps



7 DWMP-F Series
 Black Divider & Standard Caps



8 DWMP-R & WML-R Series
 Silver Divider & Custom Acrylic Caps

2 WMP-R Series
 Black Divider & Wood Caps



3 WMP-R Series
 Black Divider & Standard Caps

