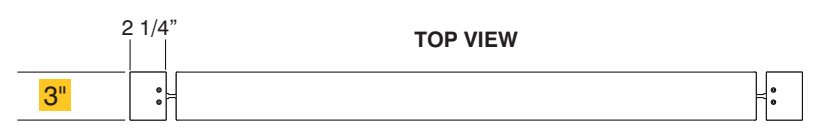
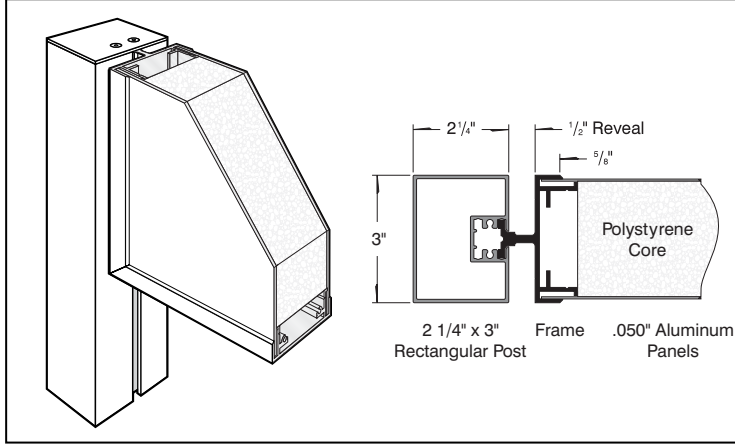
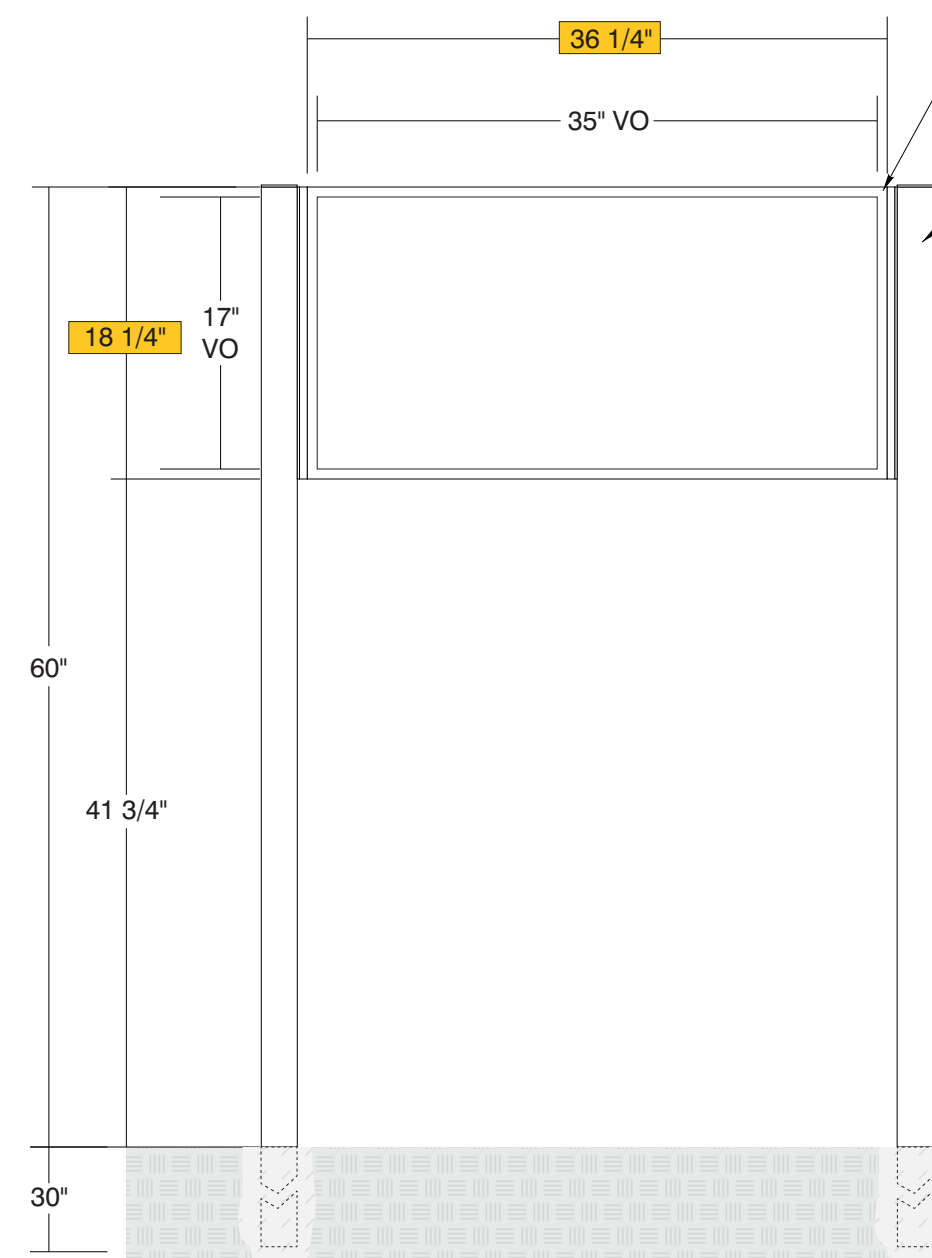


HED-300 Detail



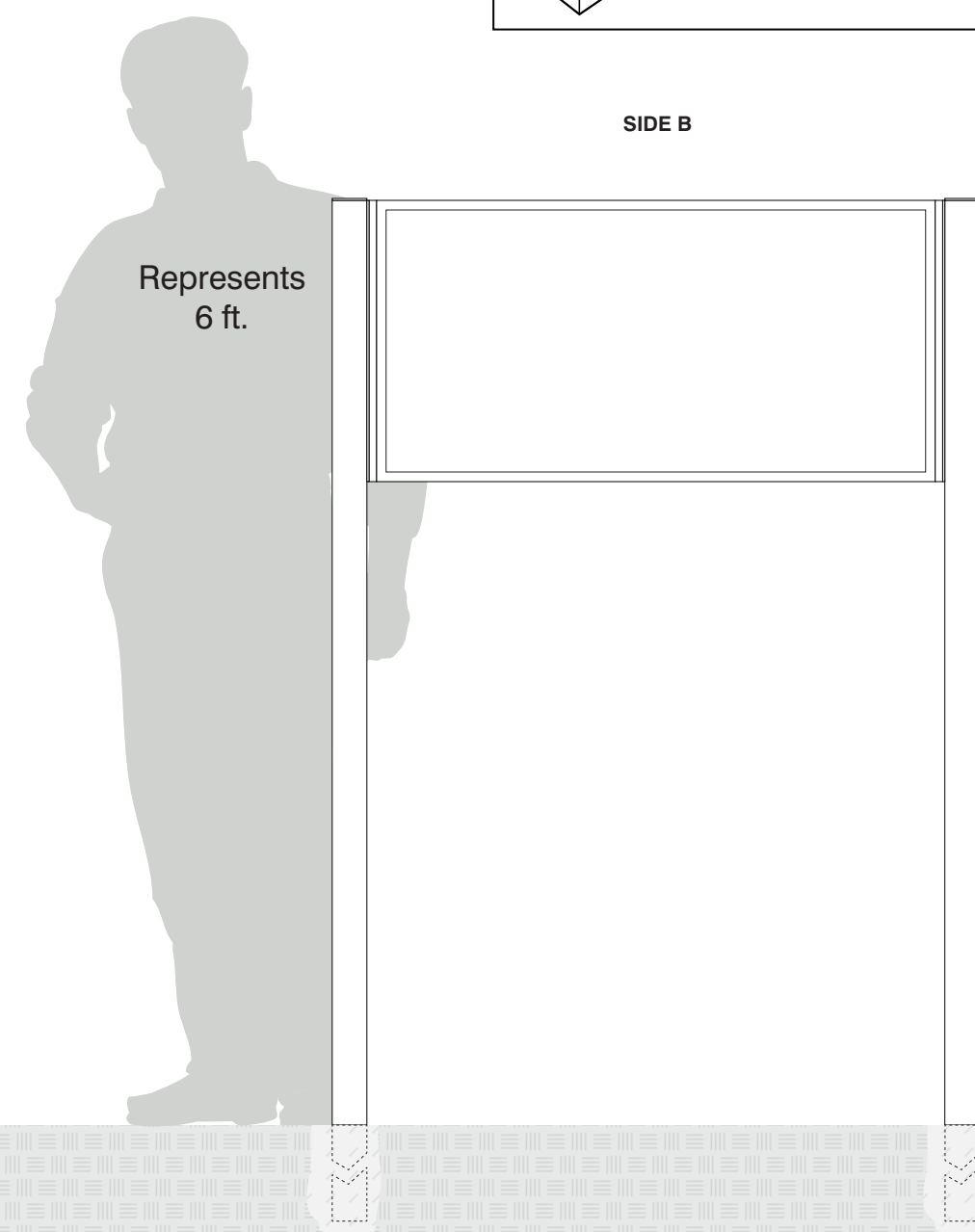
TOP VIEW

SIDE A



- **Sign System: HED-300 Standard Face**
 - (2) .050" Aluminum Panel: (H) 18" x (L) 36"
- **Paint:**
 - Standard White - Frame, Panels, Posts, Caps
- **Double Post Mount**
 - (2) Posts Size: 2 1/4" x 3" x (L) 90" with Caps

SIDE B



Date	DWG# HED-300_STANDARD	Scale: 1"=1'	Customer	Mounting SF/DF	DOUBLE POST MOUNT		Quote #	
X.XX.XX				Illuminated	NO	UL	Sales Rep.	
Quantity			Location	Voltage	N/A	Amp N/A	Illustrator:	
1			System	ADA	No	Rev. 0	Reviewed By:	
Page			HED-300 (18" X 36") Standard Face	*Due to the ADA/ ANSI's wide interpretation and other factors that may exist, we cannot affirm compliance in all situations and is hereby removed from responsibility regarding these issues.				
1 of 1								



• 6400 Howard Drive, Fairview PA 16415 • Toll Free 800.458.0591 •
 • PA 814.833.7000 • Fax 814.838.0011 •
 www.howardindustries.com

All concepts and designs represented by this drawing are the property of Howard Industries and may not be reproduced or used in any manner without written consent. ©Copyright 2020 Howard Industries.