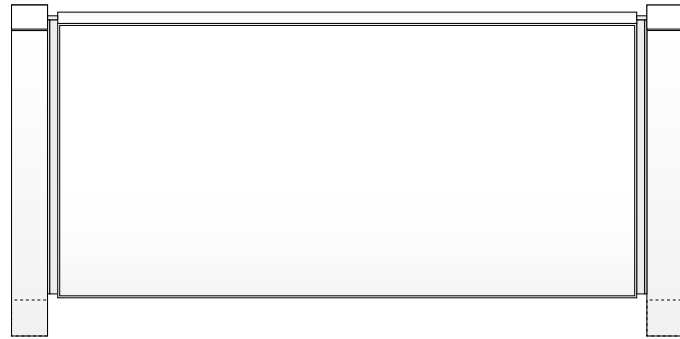
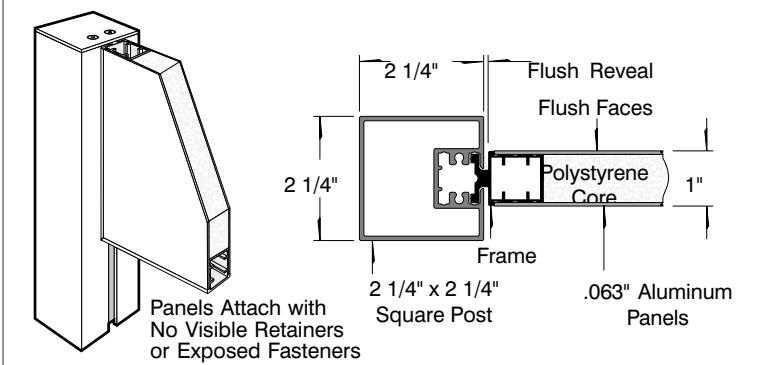


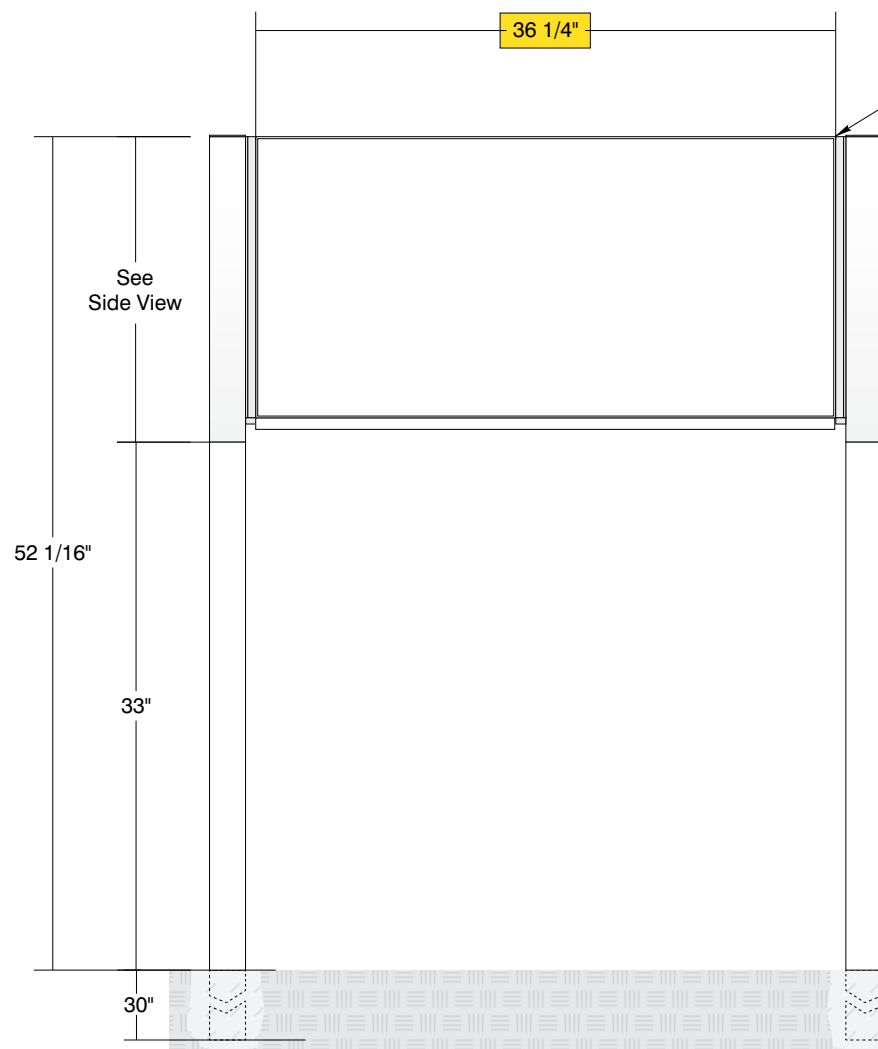
TOP VIEW



SLMPRO1 Flush Face Detail



FRONT VIEW



• **Sign System: SLIMPRO1 Bent Back**

- (2) .063" Aluminum Panels: (H) 24" x (L) 36"

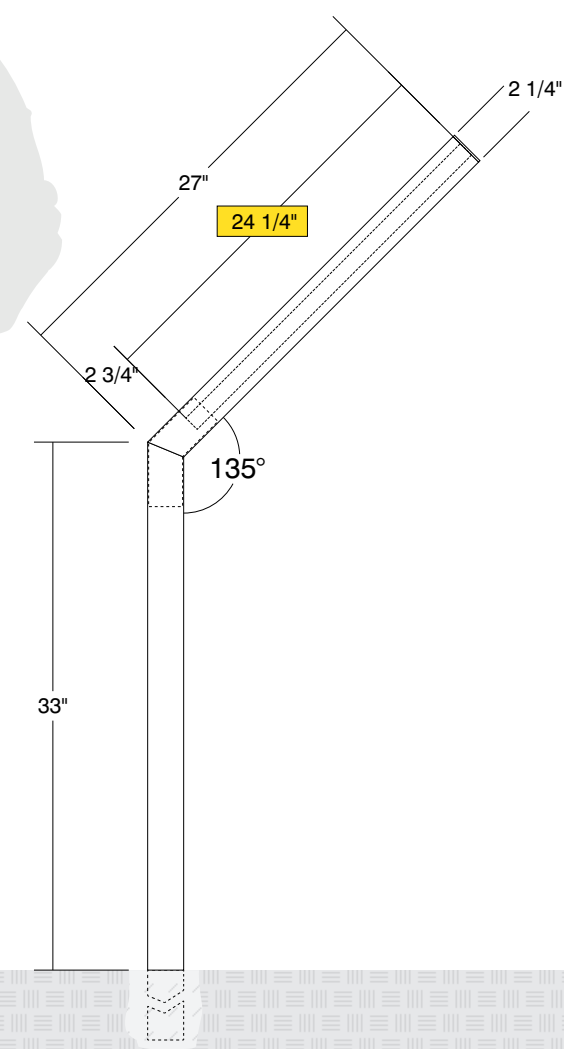
• **Paint:**

- Standard White - Panels, Frame, Posts, Caps

• **Double Post Mount**

- (2) Total Posts Size: 2 1/4" x 2 1/4" x (L) 90" with Caps
- Top Posts Size: 2 1/4" x 2 1/4" x (L) 27"
- Bottom Posts Size: 2 1/4" x 2 1/4" x (L) 63"
- (4) 3/16" Aluminum Internal Gussets

SIDE VIEW



Date	DWG# SLMPRO1_BentBack	Scale: 1"=1'	Customer	Mounting SF/DF	Double Bent Back Post Mount		Quote #	
XX.XX.XX				Double Face	Single Face		Sales Rep.	
Quantity			Location	Illuminated	NO	UL	Illustrator:	
1				Voltage	N/A	Amp	Reviewed By:	
Page			System	ADA	No	Rev. 0		
1 of 1			SLIMPRO1 (36" x 48") Standard Sign System	*Due to the ADA/ ANSI's wide interpretation and other factors that may exist, we cannot affirm compliance in all situations and is hereby removed from responsibility regarding these issues.				



• 6400 Howard Drive, Fairview PA 16415 • Toll Free 800.458.0591 •
 • PA 814.833.7000 • Fax 814.838.0011 •
 www.howardindustries.com

All concepts and designs represented by this drawing are the property of Howard Industries and may not be reproduced or used in any manner without written consent. ©Copyright 2020 Howard Industries.