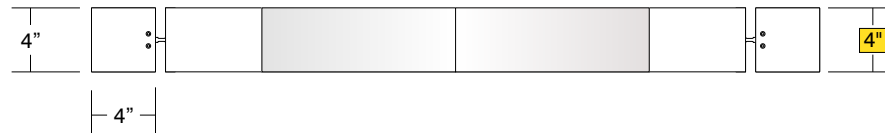
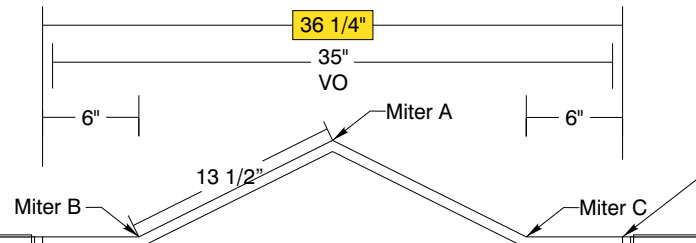


TOP VIEW



SIDE A



• Sign System: HED-400 SF Indented Peak

- Miter A: 26.48°
- Miter B & C: 13.24°
- (2) .050" Aluminum Panel: (H) 24" x (L) 36"

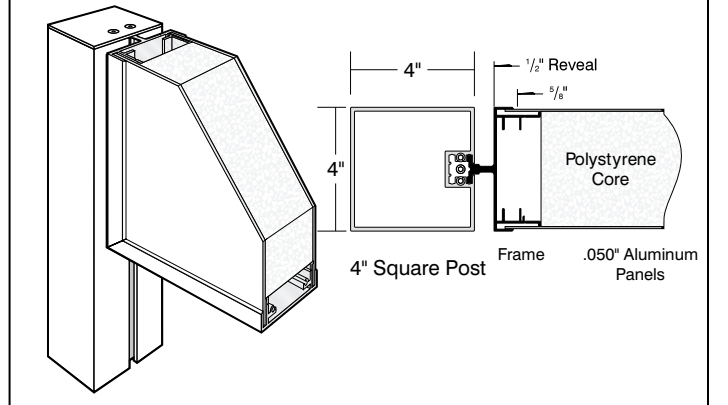
• Paint:

- Standard White - Frame, Panels, Posts, Caps

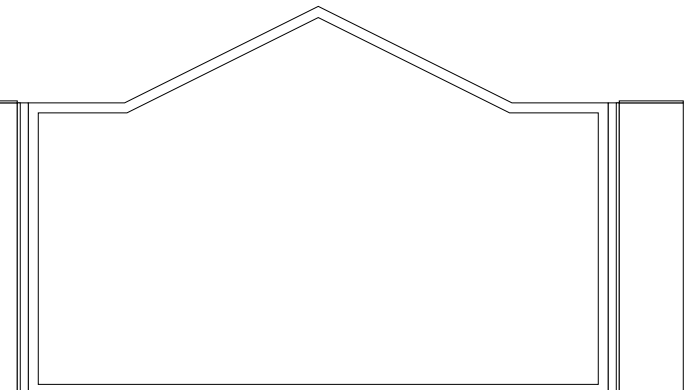
• Double Post Mount

- (2) Posts Size: 4" x 4" x (L) 90" with Caps

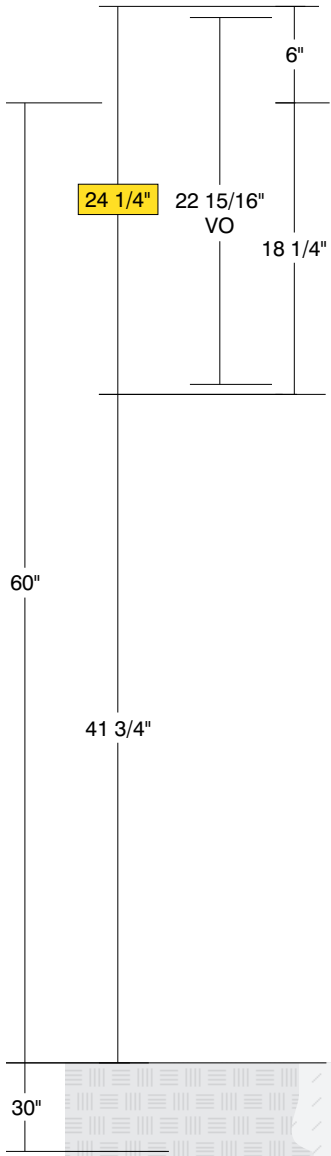
HED-400 Detail



SIDE B



Represents 6 ft.



| | | | | | | |
|----------|-------------------------------|--------------|--|----------------|-------------------|--------------|
| Date | DWG# HED-400_SF_Indented Peak | Scale: 1"=1' | Customer | Mounting SF/DF | Double Post Mount | Quote # |
| X.XX.XX | | | | Double Face | | |
| Quantity | | | Location | Illuminated | NO | Sales Rep. |
| 1 | | | | Voltage | N/A | |
| Page | | | System | ADA | No | Illustrator: |
| 1 of 1 | | | HED 400 (24" x 36") Standard Face Indented Peak Sign System | | Rev. 0 | Reviewed By: |



6400 Howard Drive, Fairview PA 16415 • Toll Free 800.458.0591 • PA 814.833.7000 • Fax 814.838.0011 • www.howardindustries.com

All concepts and designs represented by this drawing are the property of Howard Industries and may not be reproduced or used in any manner without written consent. ©Copyright 2020 Howard Industries.

*Due to the ADA/ANSI's wide interpretation and other factors that may exist, we cannot affirm compliance in all situations and is hereby removed from responsibility regarding these issues.