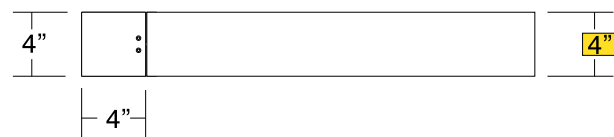
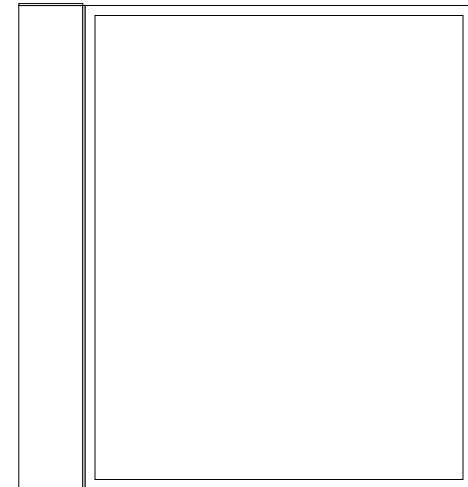
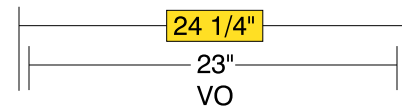


TOP VIEW



SIDE A



• Sign System: HED-400 Standard Face Flag Mount

- (2) .050" Aluminum Panel: (H) 30" x (L) 24"

• Paint:

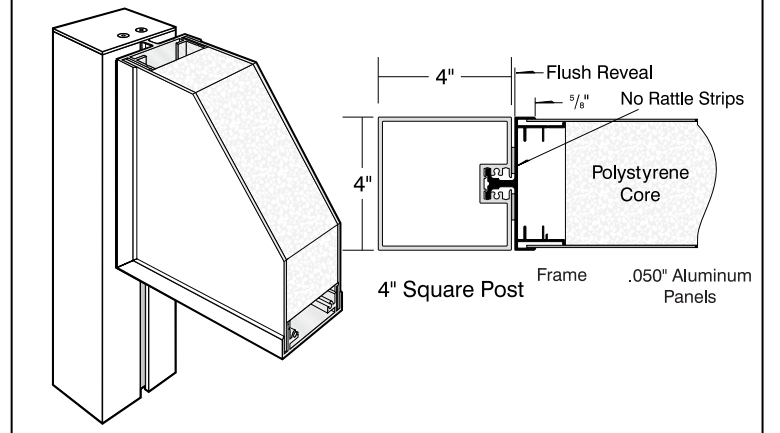
- Standard White - Frame, Panels, Posts, Caps, Shims

• Single Post Mount

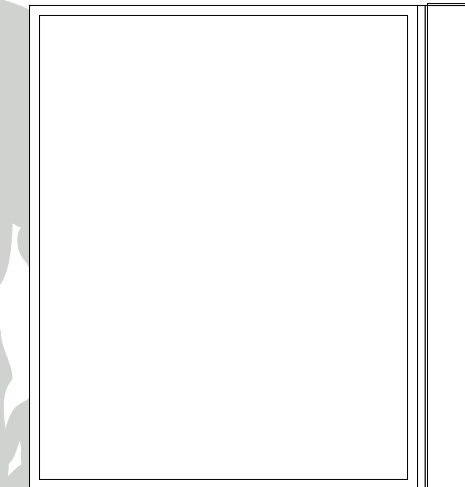
- (1) Post Size: 4" x 4" x (L) 90" with Cap
- (2) .100" Aluminum Shims: (H) 30 1/8" x (L) 13/16"

***NOTE: 1 3/4" Mounting Flange Comes out the bottom to act as locking square**

HED-400 Detail




SIDE B



Represents
6 ft.



Date	DWG# HED-400_SF_Flag Mount	Scale:	1"=1'	Customer		Mounting SF/DF	Single Post Mount Double Face	Quote #	
X.X.XX				Location		ILLUMINATED	NO UL	Sales Rep.	
Quantity				System	HED-400 (30" x 24") Standard Face Flag Mount	Voltage	N/A Amp N/A	Illustrator:	
1						ADA	No Rev. 0	Reviewed By:	
Page						*Due to the ADA/ ANSI's wide interpretation and other factors that may exist, we cannot affirm compliance in all situations and is hereby removed from responsibility regarding these issues.			
1 of 1						 <p>6400 Howard Drive, Fairview PA 16415 • Toll Free 800.458.0591 • PA 814.833.7000 • Fax 814.838.0011 • www.howardindustries.com</p> <p>All concepts and designs represented by this drawing are the property of Howard Industries and may not be reproduced or used in any manner without written consent. ©Copyright 2020 Howard Industries.</p>			