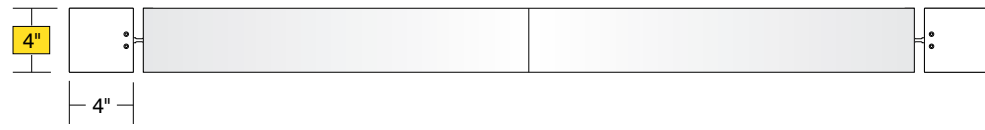
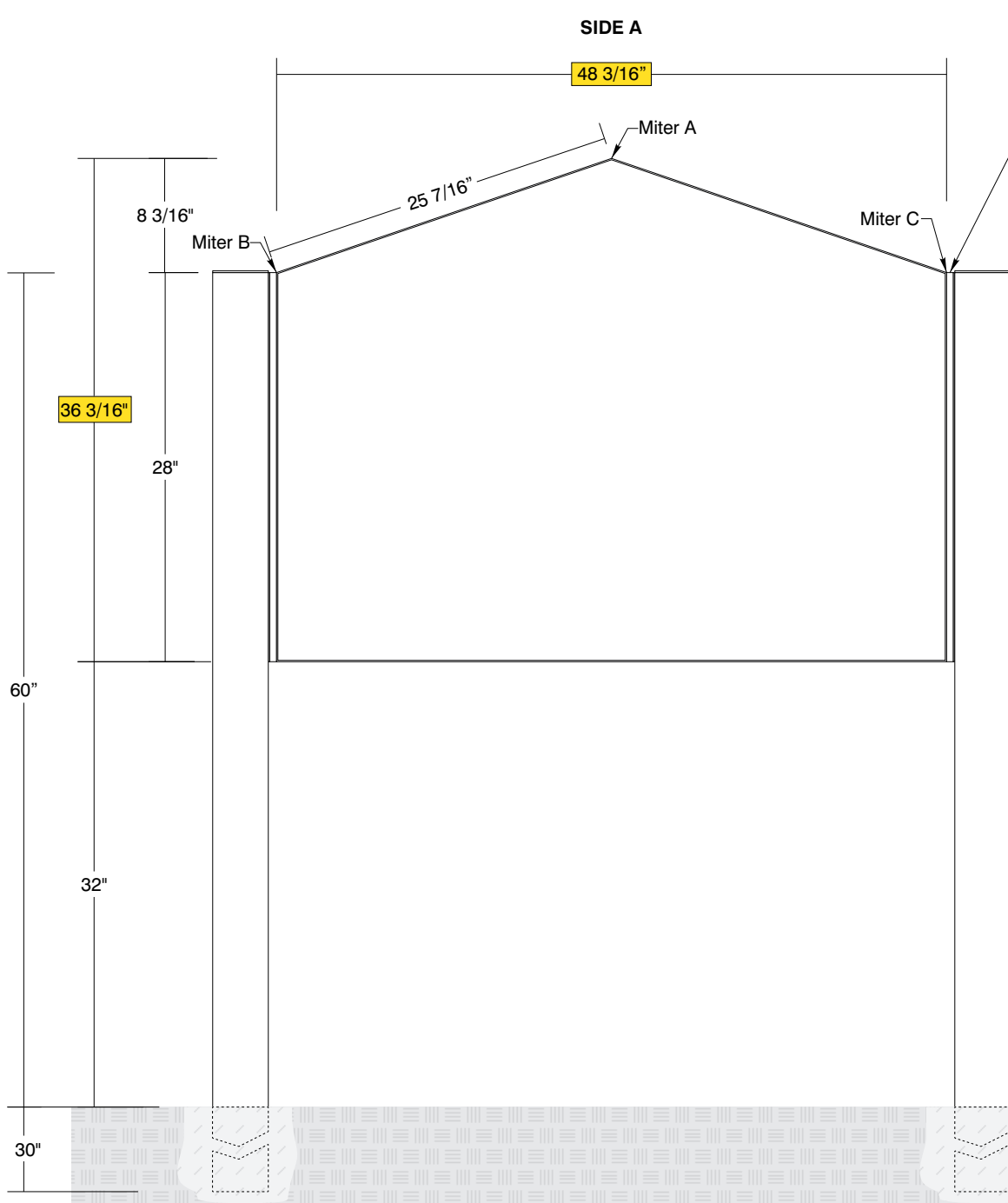
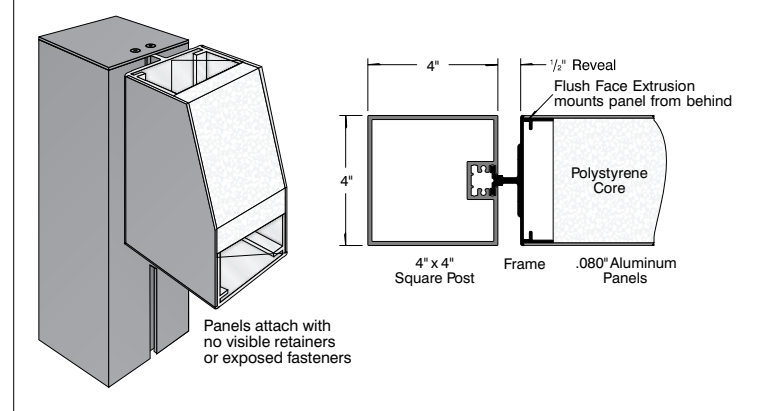


TOP VIEW



HED-400 FLUSH FACE DETAIL



•Sign System: HED-400 Flush Face Peaked Top

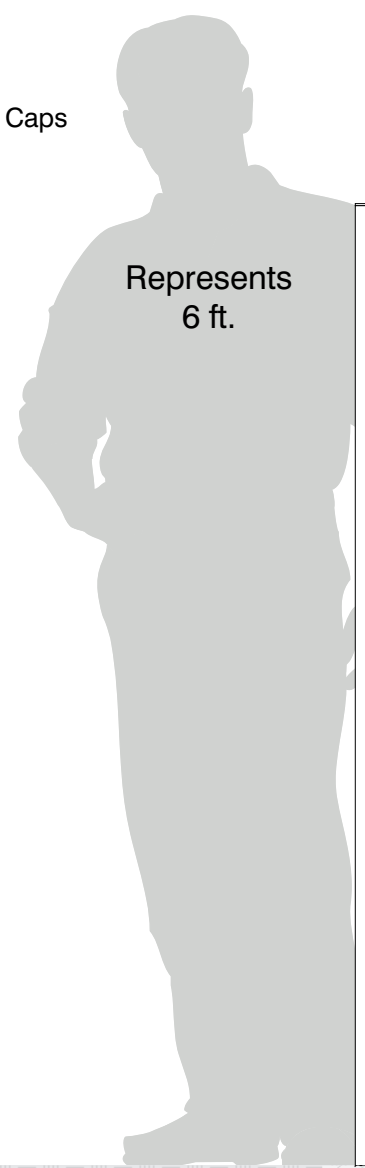
- Miter A: 18.81°
- Miter B & C: 35.68°
- (2) .080" Aluminum Panel: (H) 36" x (L) 48"

•Paint:

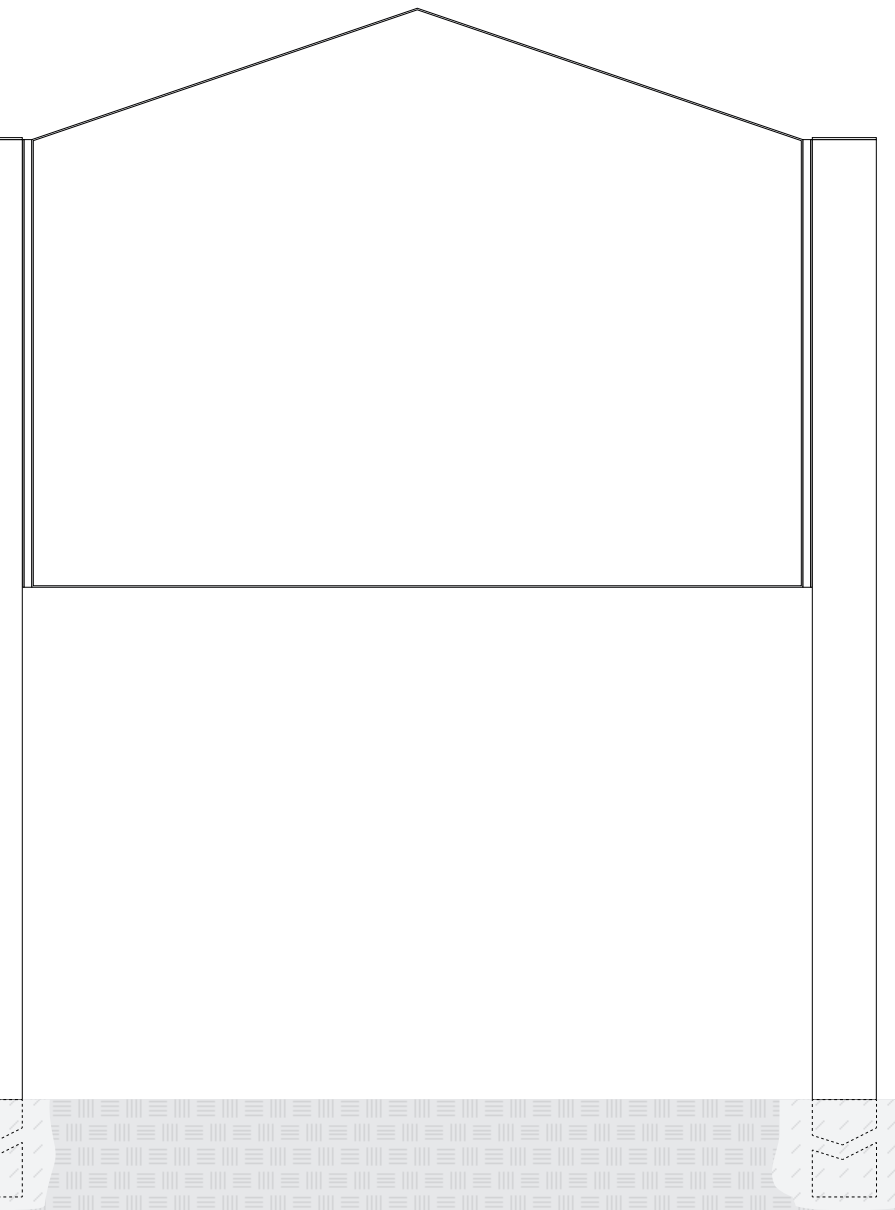
- Standard White - Frame, Panels, Posts, Caps

•Double Post Mount

- (2) Posts Size: 4" x 4" x (L) 90" with Caps



SIDE B



Date	DWG# HED-400_FF_PEAK TOP	Scale:	1"=1'	Customer		Mounting SF/DF	DOUBLE POST MOUNT DOUBLE FACE		Quote #	
XX.XX.XX				Location		Illuminated	NO	UL	Sales Rep.	
Quantity				System	HED-400 (36" x 48") FLUSH FACE PEAKED SIGN SYSTEM	Voltage	N/A	Amp	Illustrator:	
1						ADA	NO	Rev. 0	Reviewed By:	
Page						*Due to the ADA/ANSI's wide interpretation and other factors that may exist, we cannot affirm compliance in all situations and is hereby removed from responsibility regarding these issues.				
1 of 1										



• 6400 Howard Drive, Fairview PA 16415 • Toll Free 800.458.0591 •  
 • PA 814.833.7000 • Fax 814.838.0011 •  
 www.howardindustries.com

All concepts and designs represented by this drawing are the property of Howard Industries and may not be reproduced or used in any manner without written consent. ©Copyright 2020 Howard Industries.