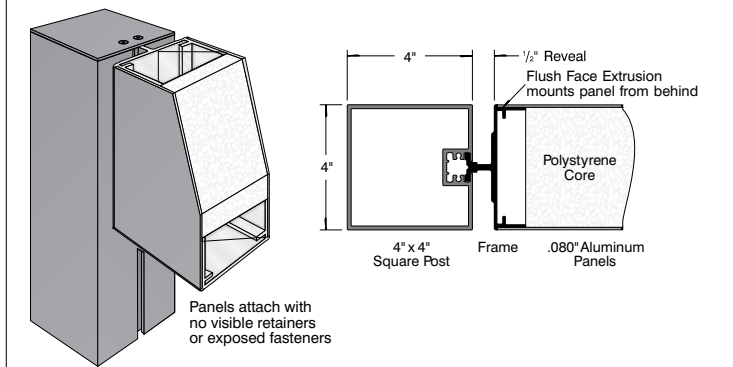


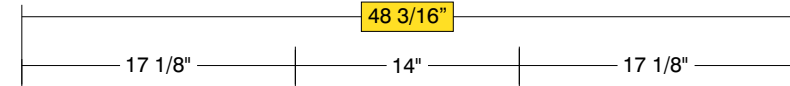
TOP VIEW



HED-400 FLUSH FACE DETAIL



SIDE A



•Sign System: HED-400 Flush Face Indented Radius

- Arc Length: 22"
- Mitters: 44.66°
- Radius: 7"
- (2) .080" Aluminum Panel: (H) 36" x (L) 48"

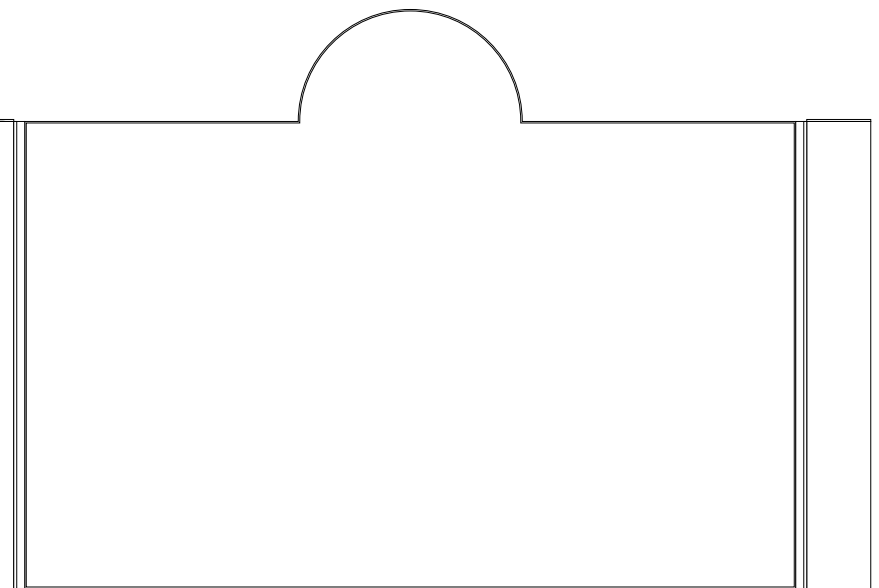
•Paint:

- Standard White - Frame, Panels, Posts, Caps

•Double Post Mount

- (2) Post Size: 4" x 4" x (L) 90" with Caps

SIDE B



Represents
6 ft.

36 3/16"

29 3/16"

30 13/16"

60"

30"

Date	DWG# HED-400_FF_Indent Radius	Scale:	1"=1'	Customer	Mounting	Double Post Mount		Quote #	
XX.XX.XX					SF/DF	Double Face		Sales Rep.	
Quantity				Location	Illuminated	NO	UL	Illustrator:	
1					Voltage	N/A	Amp	Reviewed By:	
Page				System	ADA	No	Rev. 0		
1 of 1				HED-400 (36" x 48") Flush Face Indented Radius Sign System	*Due to the ADA/ANSI's wide interpretation and other factors that may exist, we cannot affirm compliance in all situations and is hereby removed from responsibility regarding these issues.				



• 6400 Howard Drive, Fairview PA 16415 • Toll Free 800.458.0591 •
• PA 814.833.7000 • Fax 814.838.0011 •
www.howardindustries.com

All concepts and designs represented by this drawing are the property of Howard Industries and may not be reproduced or used in any manner without written consent. ©Copyright 2020 Howard Industries.