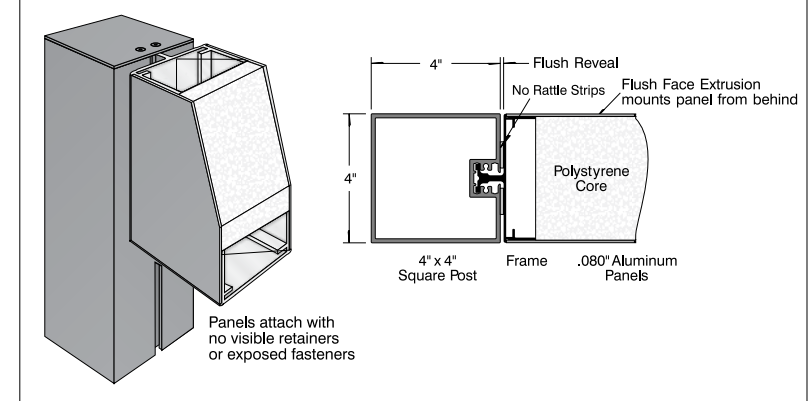
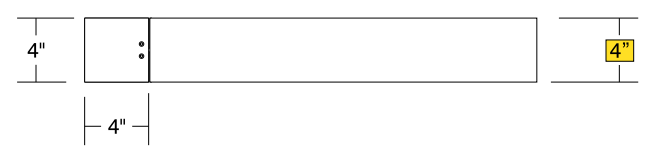


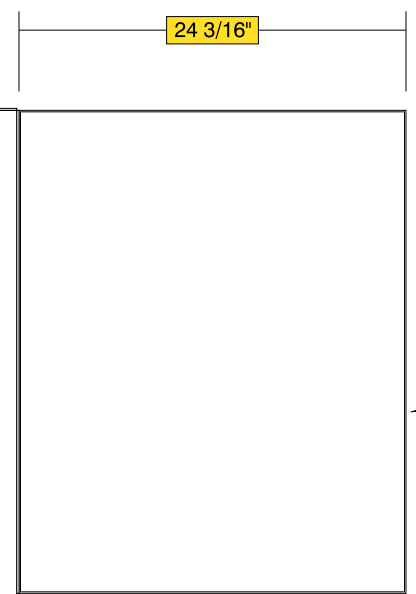
**HED-400 FLUSH FACE DETAIL**



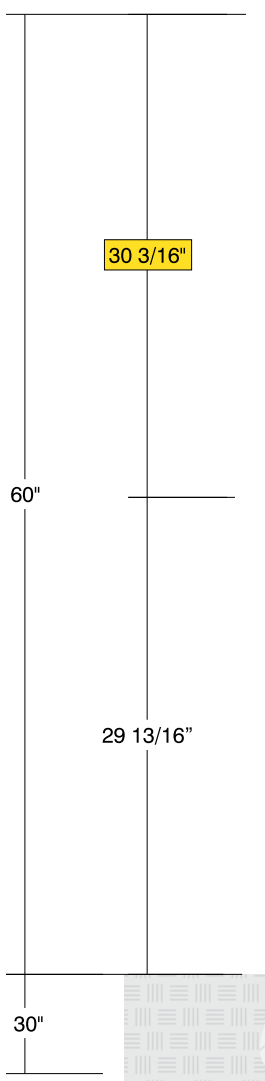
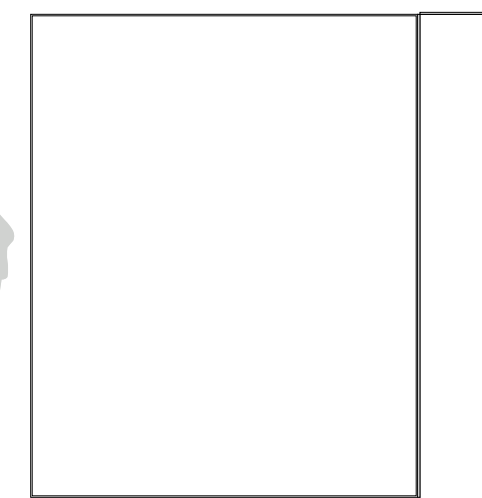
**TOP VIEW**



**SIDE A**



**SIDE B**



**•Sign System: HED-400 Flush Face Flag Mount**

- (2) .080" Aluminum Panel: (H) 30" x (L) 24"


**•Paint:**

- Standard White - Frame, Panels, Posts, Caps, Shims

**•Single Post Mount**

- (1) Posts Size: 4" x 4" x (L) 90" with Caps
- (2) .100" Aluminum Shims: (H) 30 1/16" x (L) 13/16"

**\*NOTE: 1 3/4" Mounting Flange Comes out the bottom to act as locking square**

Date	DWG# HED-400_FF_Flag Mount	Scale: 1"=1'	Customer	Mounting SF/DF	Single Post Mount Double Face	Quote #
XX.XX.XX			Location	Illuminated	NO UL	Sales Rep.
Quantity			System	Voltage	N/A Amp N/A	Illustrator:
1			HED-400 (30" x 24") Flush Face Flag Mount	ADA	No Rev. 0	Reviewed By:
Page				*Due to the ADA/ ANSI's wide interpretation and other factors that may exist, we cannot affirm compliance in all situations and is hereby removed from responsibility regarding these issues.		
1 of 1				 <p>• 6400 Howard Drive, Fairview PA 16415 • Toll Free 800.458.0591 • PA 814.833.7000 • Fax 814.838.0011 • www.howardindustries.com</p> <p>All concepts and designs represented by this drawing are the property of Howard Industries and may not be reproduced or used in any manner without written consent. ©Copyright 2020 Howard Industries.</p>		