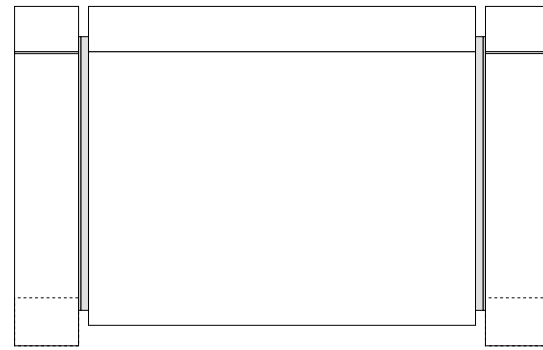
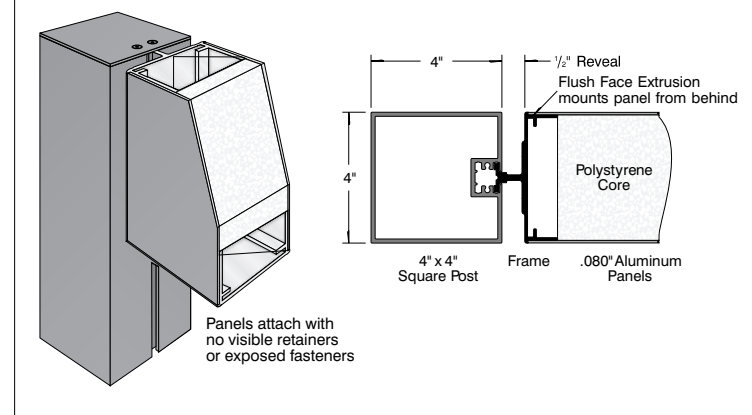


Top View



HED-400 FLUSH FACE DETAIL



• **Sign System: HED-400 Bent Back Flush Face**

- (2) .080" Aluminum Panel: (H) 24" x (L) 24"

• **Paint:**

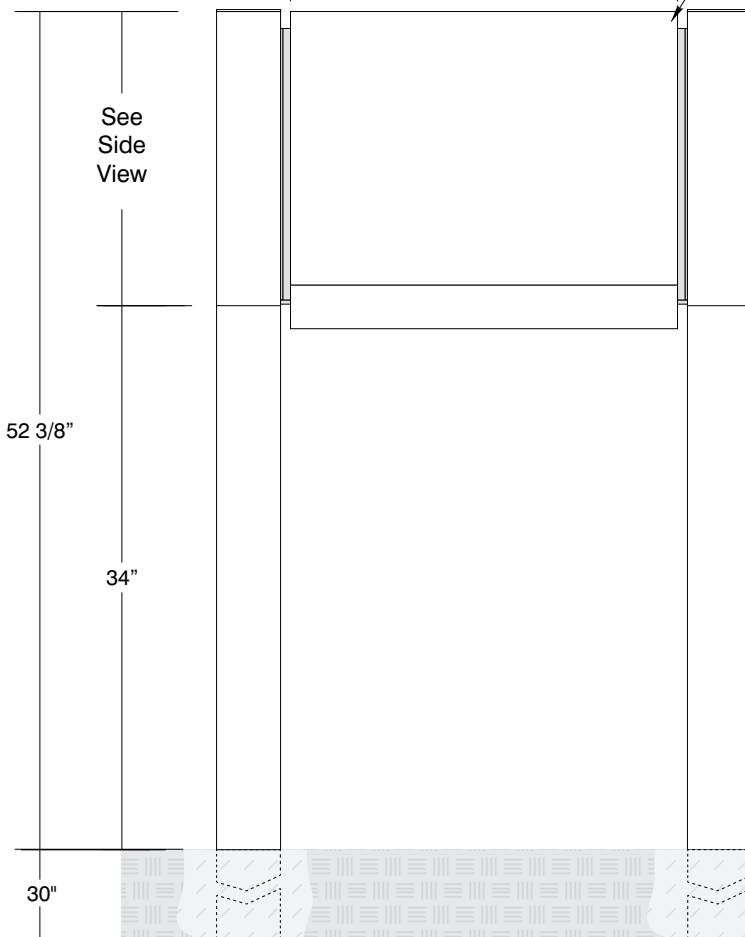
- Standard White - Frame, Panels, Posts, Caps

• **Double Post Mount**

- (2) Total Post Size: 4" x 4" x (L) 90" with Caps
- Top Post Size: 4" x 4" x (L) 26"
- Bottom Post Size: 4" x 4" x (L) 64"
- (4) 3/16" Aluminum Internal Gussets

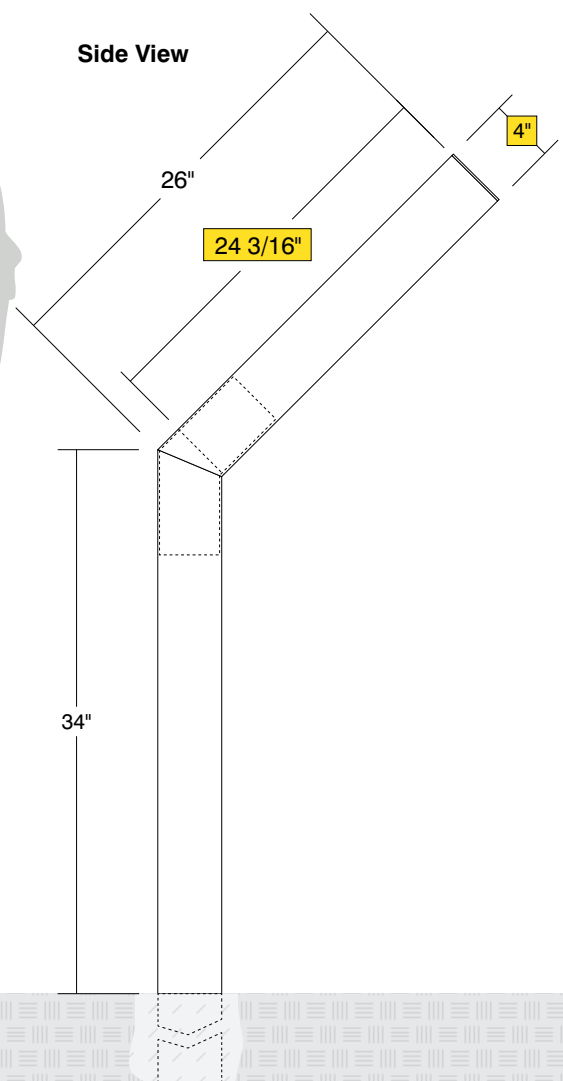
Side A

24 3/16"



Represents 6 ft.

Side View



Date	DWG# HED-400_FF_Bentback	Scale: 1"=1'	Customer	Mounting SF/DF	Double Post Mount		Quote #	
XX.XX.XX				Double Post Mount	Single Face			
Quantity			Location	Illuminated	NO	UL	Sales Rep.	
1				Voltage	N/A	Amp	Illustrator:	
Page			System	ADA	No		Reviewed By:	
1 of 1			HED-400 (24" x 24") Flush Face Bent Back Sign System	*Due to the ADA/ANSI's wide interpretation and other factors that may exist, we cannot affirm compliance in all situations and is hereby removed from responsibility regarding these issues.				



• 6400 Howard Drive, Fairview PA 16415 • Toll Free 800.458.0591 •
 • PA 814.833.7000 • Fax 814.838.0011 •
 www.howardindustries.com

All concepts and designs represented by this drawing are the property of Howard Industries and may not be reproduced or used in any manner without written consent. ©Copyright 2020 Howard Industries.