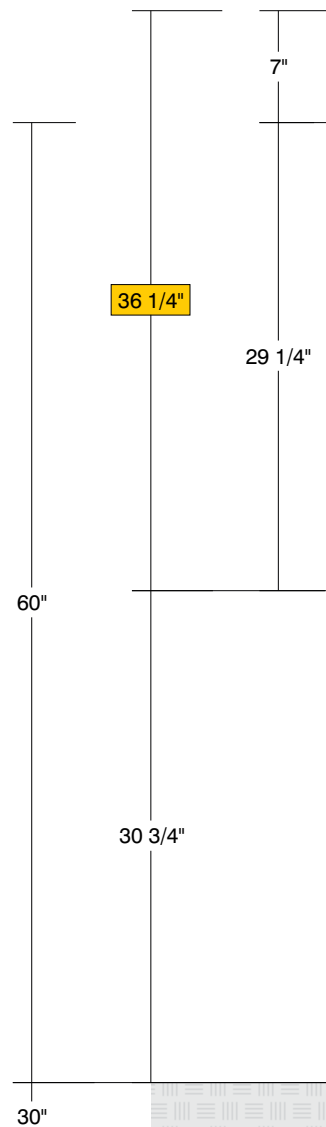
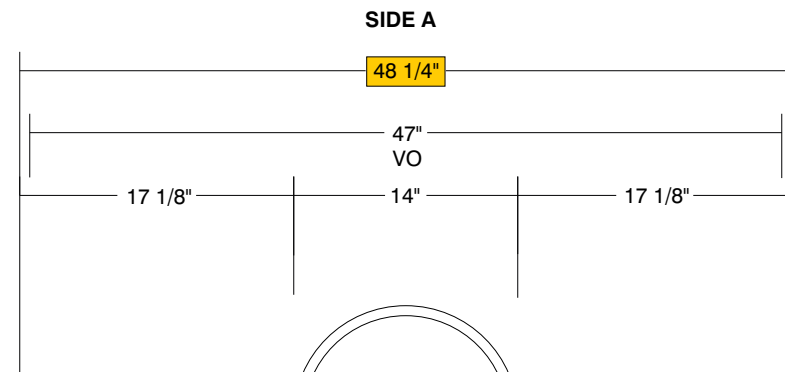
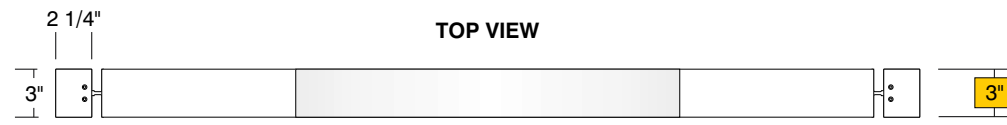
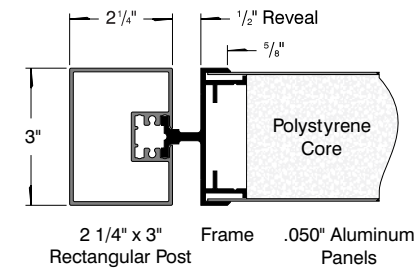
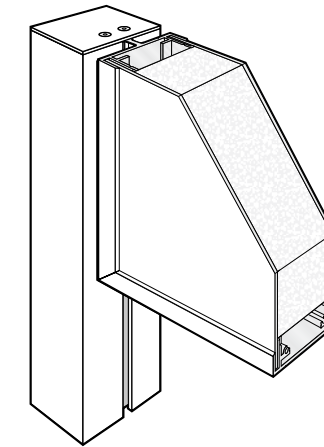
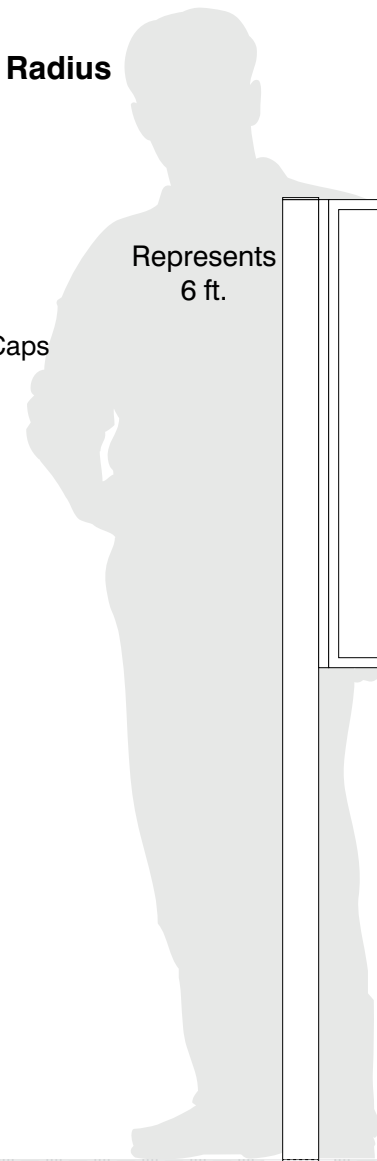


### HED-300 Detail

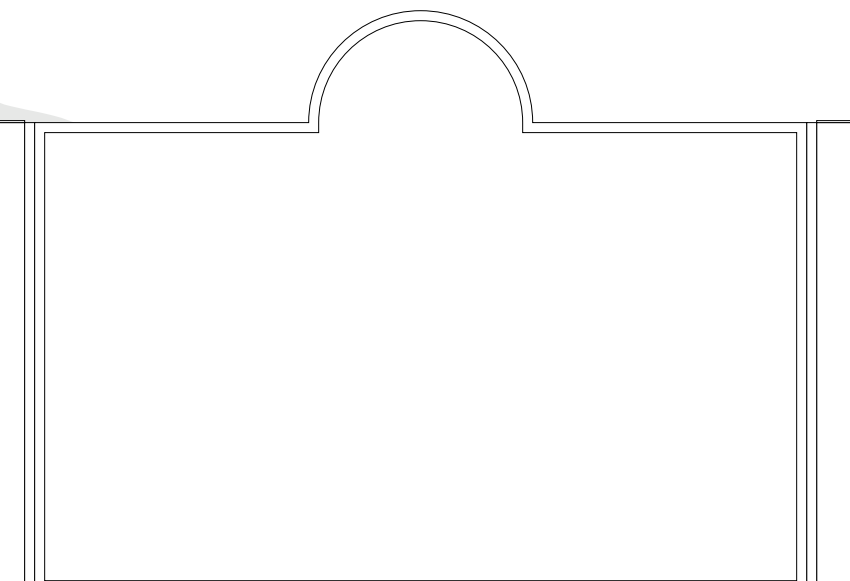


- **Sign System: HED-300 SF Indented Radius**
  - Arc Length: 22"
  - Miters: 44.66°
  - Radius: 7"
  - (2) .080" Aluminum Panel: (H) 36" x (L) 48"
- **Paint:**
  - Standard White - Frame, Panels, Posts, Caps
- **Double Post Mount**
  - (2) Post Size: 2 1/4" x 3" x (L) 90" with Caps



Represents  
6 ft.

SIDE B



Date	DWG# HED-300_SF_IndentedRadius	Scale: 1"=1'	Customer	Mounting SF/DF	Double Post Mount Double Face		Quote #
X.XX.XX			Location	Illuminated	NO	UL	Sales Rep.
Quantity			System	Voltage	N/A	Amp N/A	Illustrator:
1			HED-300 (36" x 48") Standard Face Indented Radius Sign System	ADA	No	Rev. 0	Reviewed By:
Page				*Due to the ADA/ANSI's wide interpretation and other factors that may exist, we cannot affirm compliance in all situations and is hereby removed from responsibility regarding these issues.			
1 of 1							



• 6400 Howard Drive, Fairview PA 16415 • Toll Free 800.458.0591 •  
 • PA 814.833.7000 • Fax 814.838.0011 •  
 www.howardindustries.com

All concepts and designs represented by this drawing are the property of Howard Industries and may not be reproduced or used in any manner without written consent. ©Copyright 2020 Howard Industries.