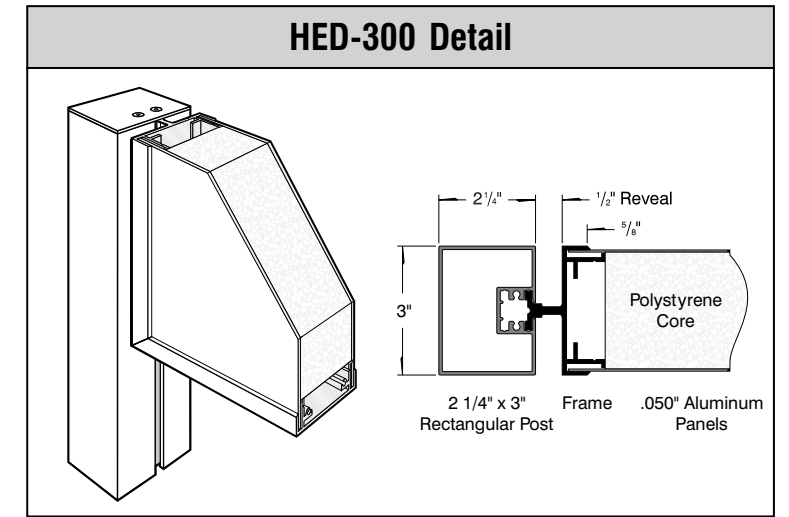
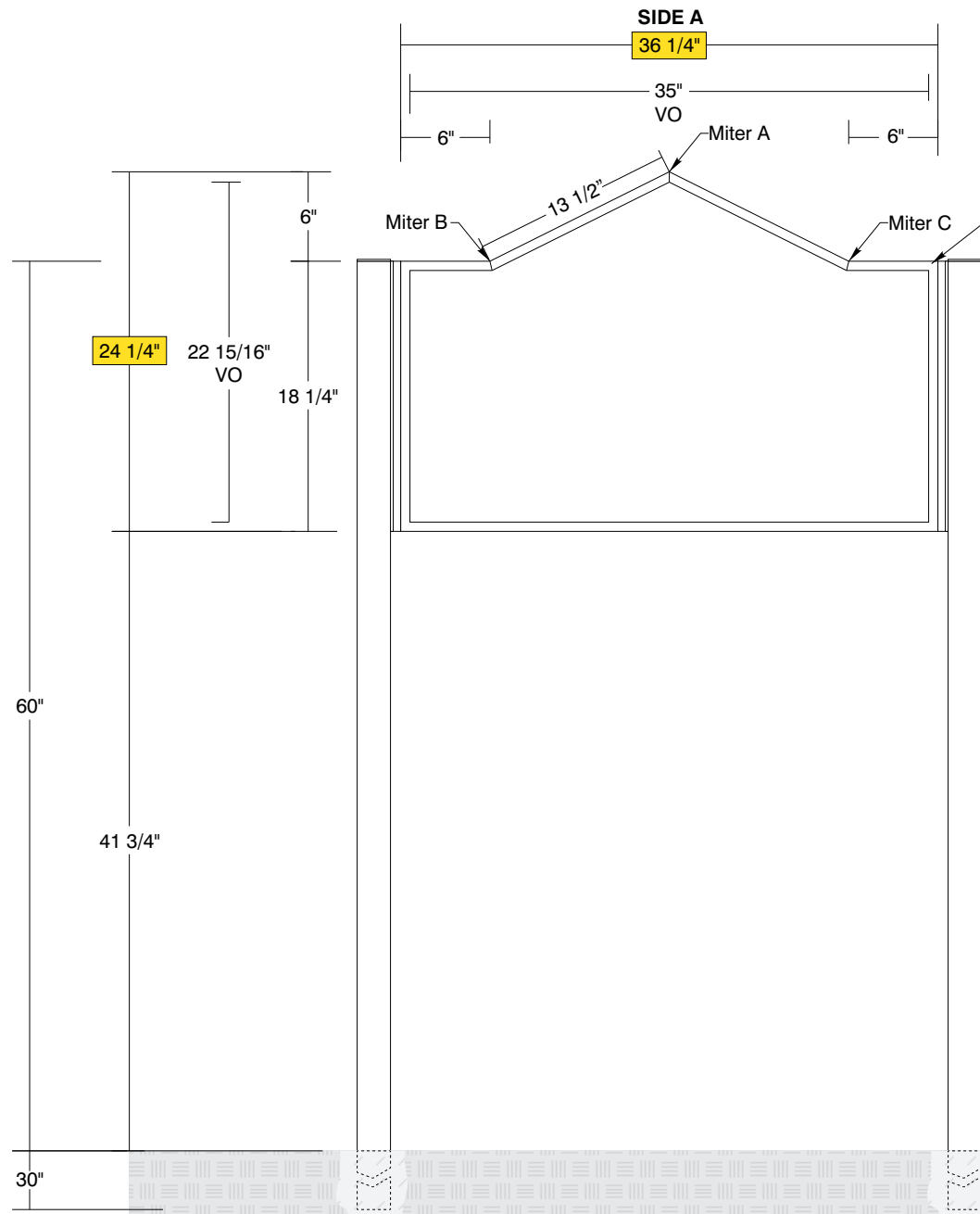


TOP VIEW



HED-300 Detail



• **Sign System: HED-300 SF Indented Peak**

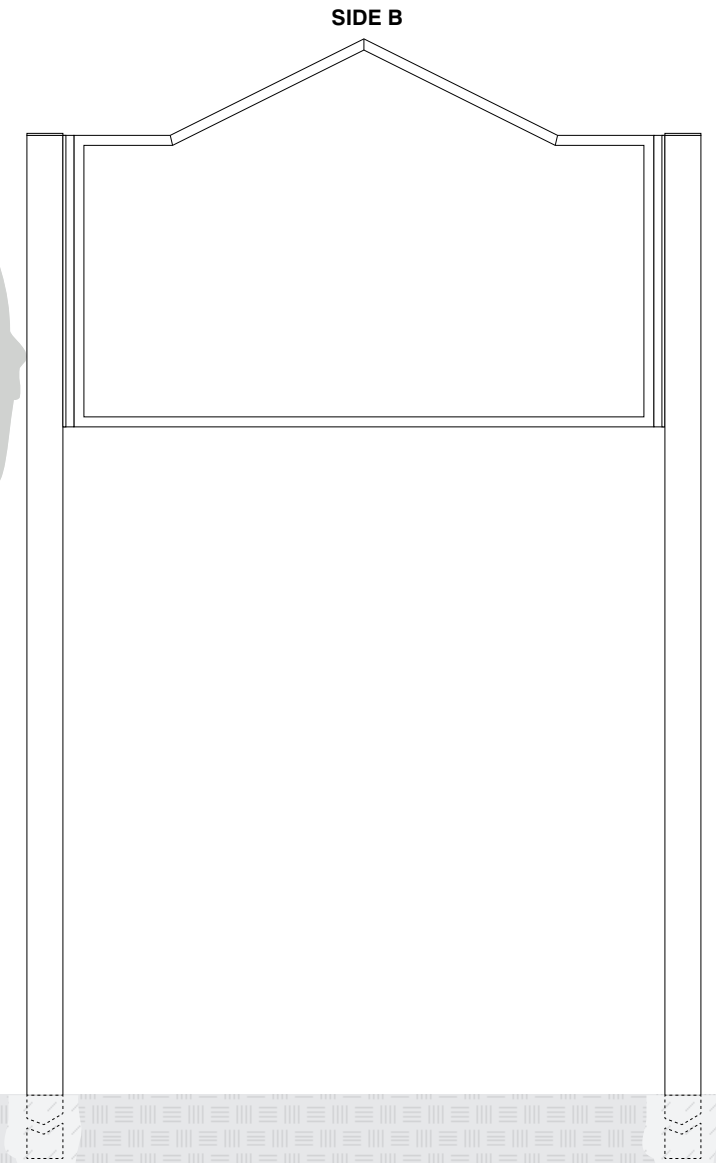
- Miter A: 26.48°
- Miter B & C: 13.24°
- (2) .050" Aluminum Panel: (H) 24" x (L) 36"

• **Paint:**

- Standard White - Frame, Panels, Posts, Caps

• **Double Post Mount**

- (2) Posts Size: 2 1/4" x 3" x (L) 90" with Caps



SIDE B

Date	DWG# HED-300_SF_IndentedPeak	Scale:	1"=1'	Customer	Mounting	Double Post Mount		Quote #	
X.XX.XX					SF/DF	Double Face		Sales Rep.	
Quantity				Location	Illuminated	NO	UL	Illustrator:	
1					Voltage	N/A	Amp	N/A	
Page				System	ADA	No	Rev. 0	Reviewed By:	
1 of 1				HED 300 (24" x 36") Standard Face Indented Peak Sign System	*Due to the ADA/ANSI's wide interpretation and other factors that may exist, we cannot affirm compliance in all situations and is hereby removed from responsibility regarding these issues.				



• 6400 Howard Drive, Fairview PA 16415 • Toll Free 800.458.0591 •
• PA 814.833.7000 • Fax 814.838.0011 •
www.howardindustries.com

All concepts and designs represented by this drawing are the property of Howard Industries and may not be reproduced or used in any manner without written consent. ©Copyright 2020 Howard Industries.