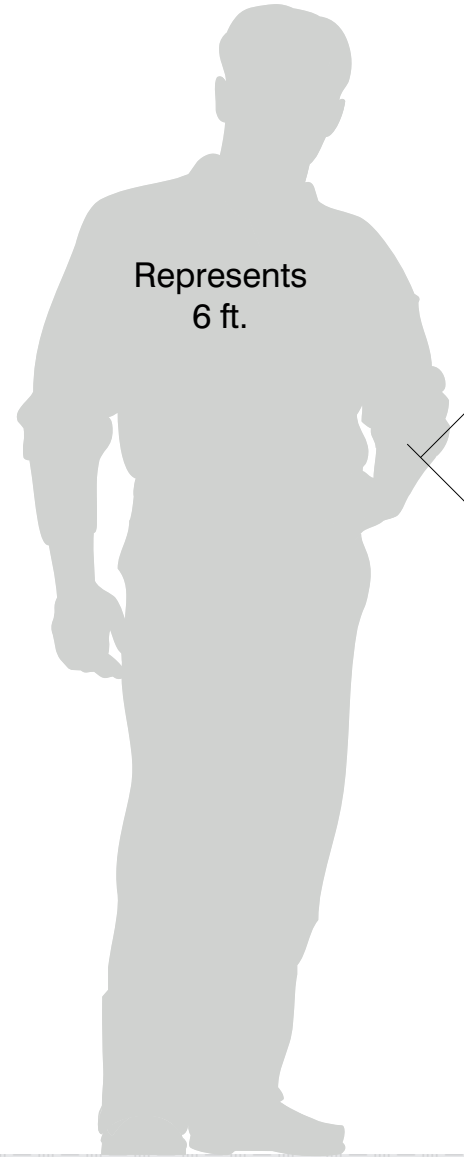
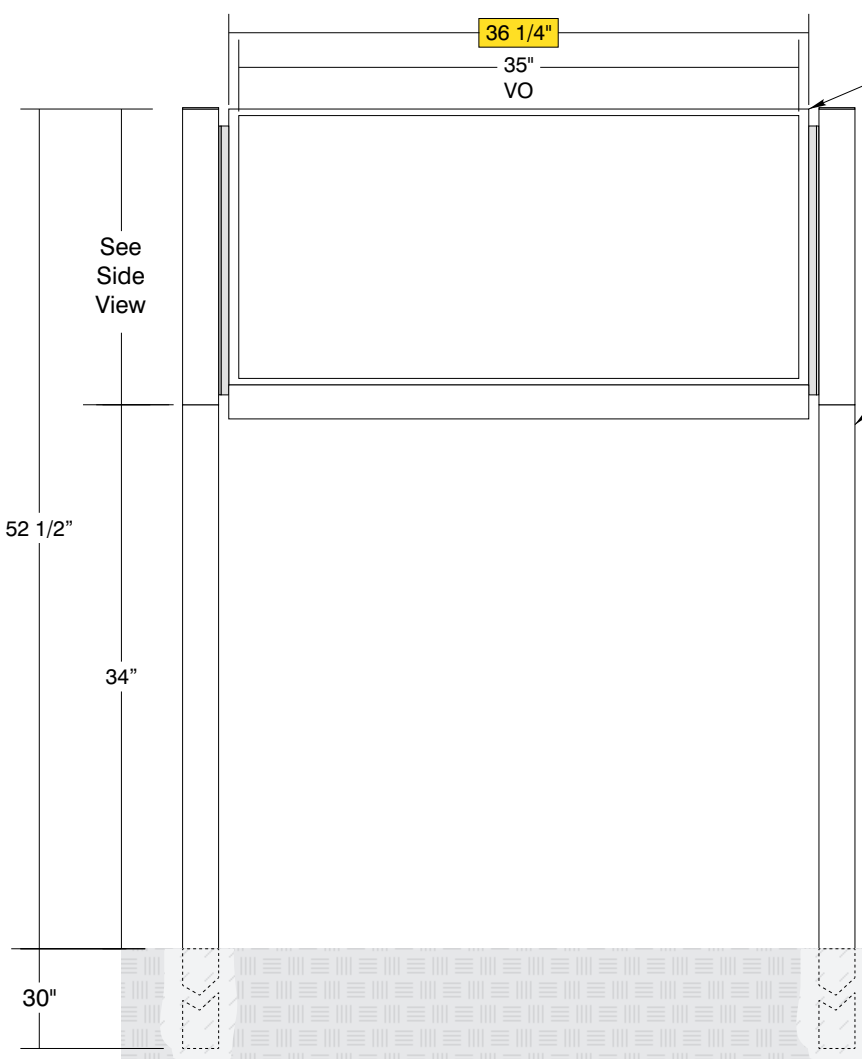
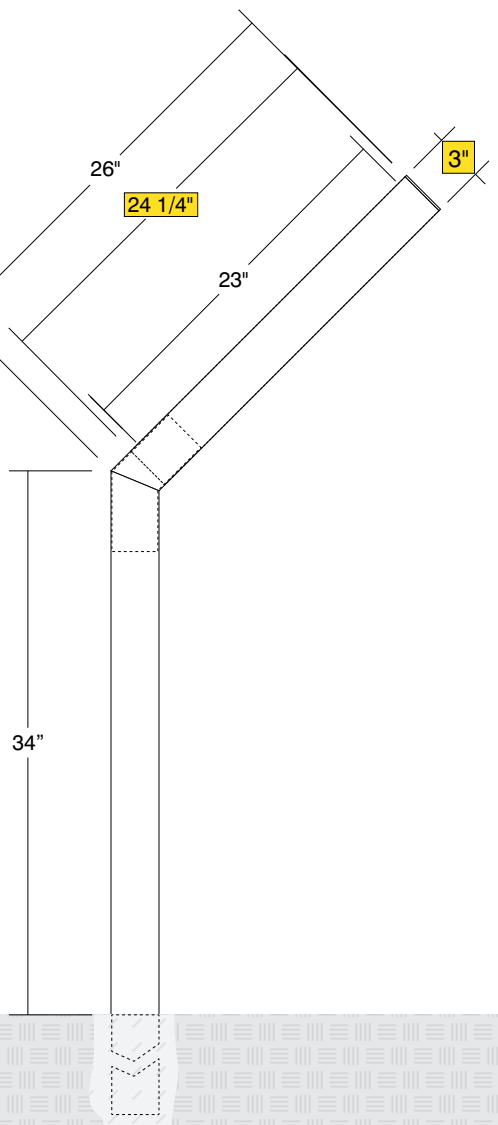


FRONT VIEW

SIDE VIEW



- **Sign System: HED-300 Standard Face Bent Back**
 - (2) .050" Aluminum Panel: (H) 24" x (L) 36"
- **Paint:**
 - Standard White - Frame, Panels, Posts, Caps
- **Double Post Mount**
 - (2) Total Post Size: 2 1/4" x 3" x (L) 90" with Caps
 - Top Post Size: 2 1/4" x 3" x (L) 26"
 - Bottom Post Size: 2 1/4" x 3" x (L) 64"
 - (4) 3/16" Aluminum Internal Gussets



Date	DWG# HED-300_SF_Bent Back	Scale:	1"=1'	Customer	Mounting SF/DF	Double Post Mount	Quote #	
X.XX.XX					NO	Single Face	Sales Rep.	
Quantity				Location	UL		Illustrator:	
1					N/A	Amp	Reviewed By:	
Page				System	N/A	N/A		
1 of 1				HED-300 (24" x 36") Standard Face Bent Back Sign System	ADA	No		
					*Due to the ADA/ ANSI's wide interpretation and other factors that may exist, we cannot affirm compliance in all situations and is hereby removed from responsibility regarding these issues.			



• 6400 Howard Drive, Fairview PA 16415 • Toll Free 800.458.0591 •
 • PA 814.833.7000 • Fax 814.838.0011 •
 www.howardindustries.com

All concepts and designs represented by this drawing are the property of Howard Industries and may not be reproduced or used in any manner without written consent. ©Copyright 2020 Howard Industries.