

**• Sign System: HED-300 Flush Face Peaked Top**

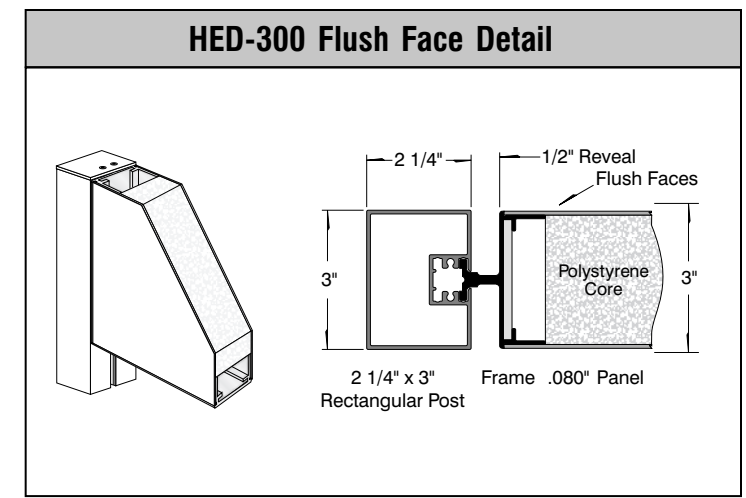
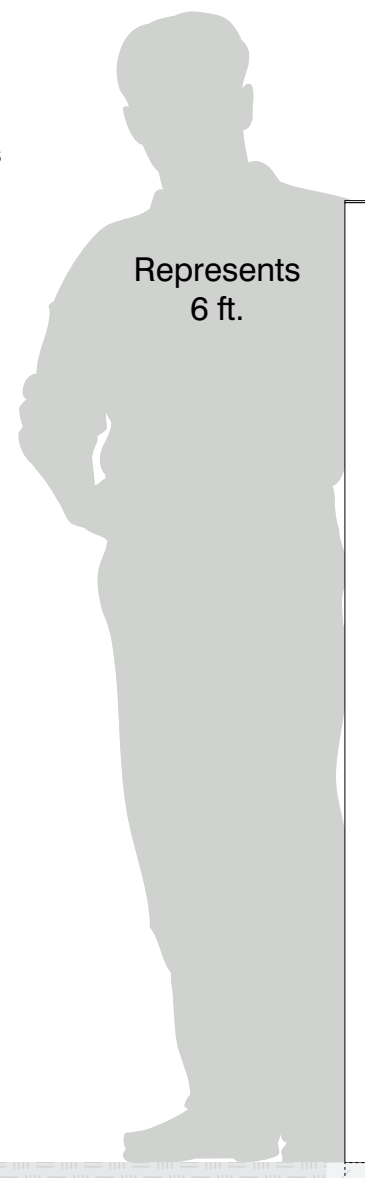
- Miter A: 18.81°
- Miter B & C: 35.68°
- (2) .080" Aluminum Panel: (H) 36" x (L) 48"

**• Paint:**

- Standard White - Frame, Panels, Posts, Caps

**• Double Post Mount**

- (2) Posts Size: 2 1/4" x 3" x (L) 90" with Caps



Date	DWG# HED-300_FF_PEAK TOP	Scale: 1"=1'	Customer	Mounting SF/DF	DOUBLE POST MOUNT		Quote #
XX.XX.XX				DOUBLE FACE			
Quantity			Location	Illuminated	NO	UL	Sales Rep.
1				Voltage	N/A	Amp N/A	
Page			System	ADA	NO	Rev. 0	Illustrator:
1 of 1			<b>HED-300 (36" x 48") FLUSH FACE PEAKED SIGN SYSTEM</b>	*Due to the ADA/ANSI's wide interpretation and other factors that may exist, we cannot affirm compliance in all situations and is hereby removed from responsibility regarding these issues.			Reviewed By:



• 6400 Howard Drive, Fairview PA 16415 • Toll Free 800.458.0591 •  
 • PA 814.833.7000 • Fax 814.838.0011 •  
 www.howardindustries.com

All concepts and designs represented by this drawing are the property of Howard Industries and may not be reproduced or used in any manner without written consent. ©Copyright 2020 Howard Industries.