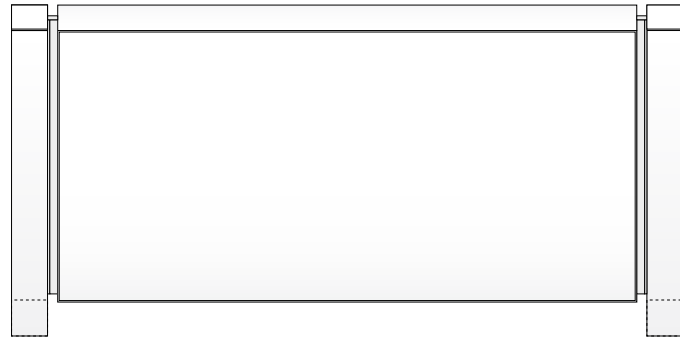
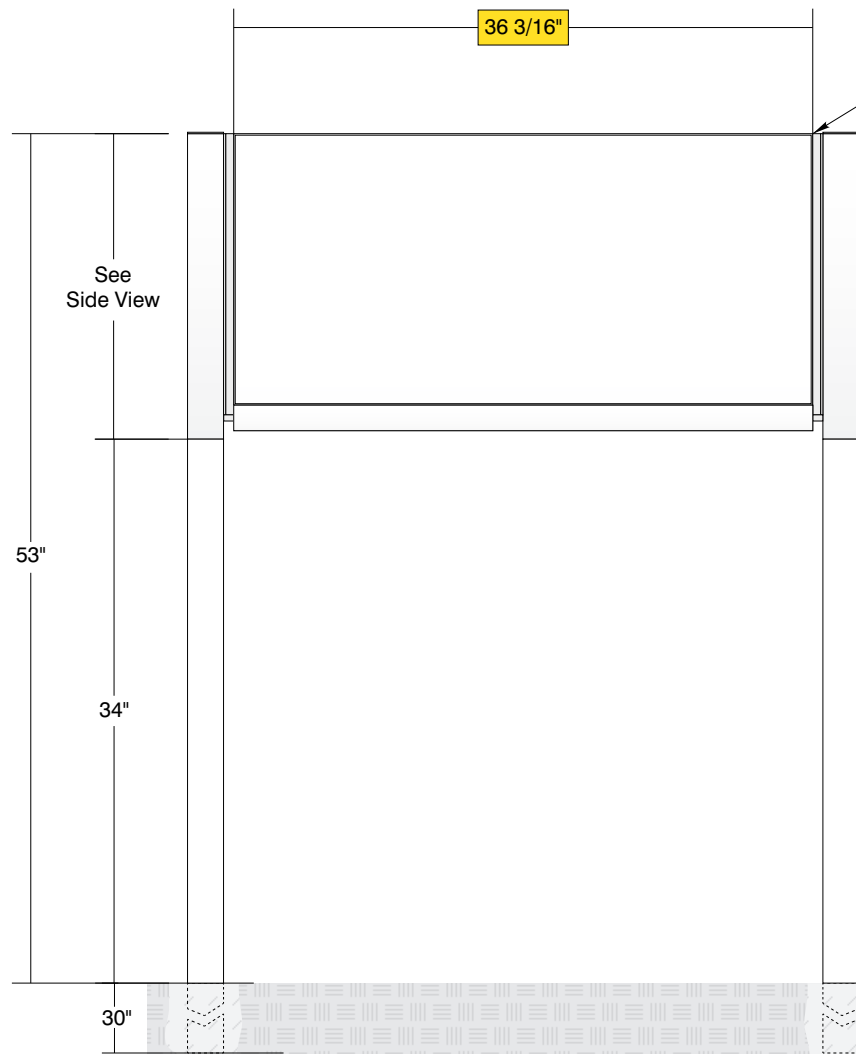


TOP VIEW



FRONT VIEW



• **Sign System: HED-225 Bent Back**

- (2) .080" Aluminum Panels: (H) 24" x (L) 36"

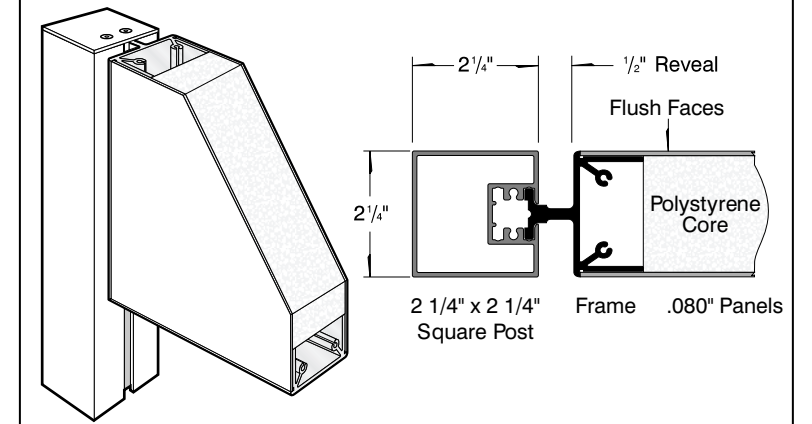
• **Paint:**

- Standard White - Panels, Frame, Posts, Caps

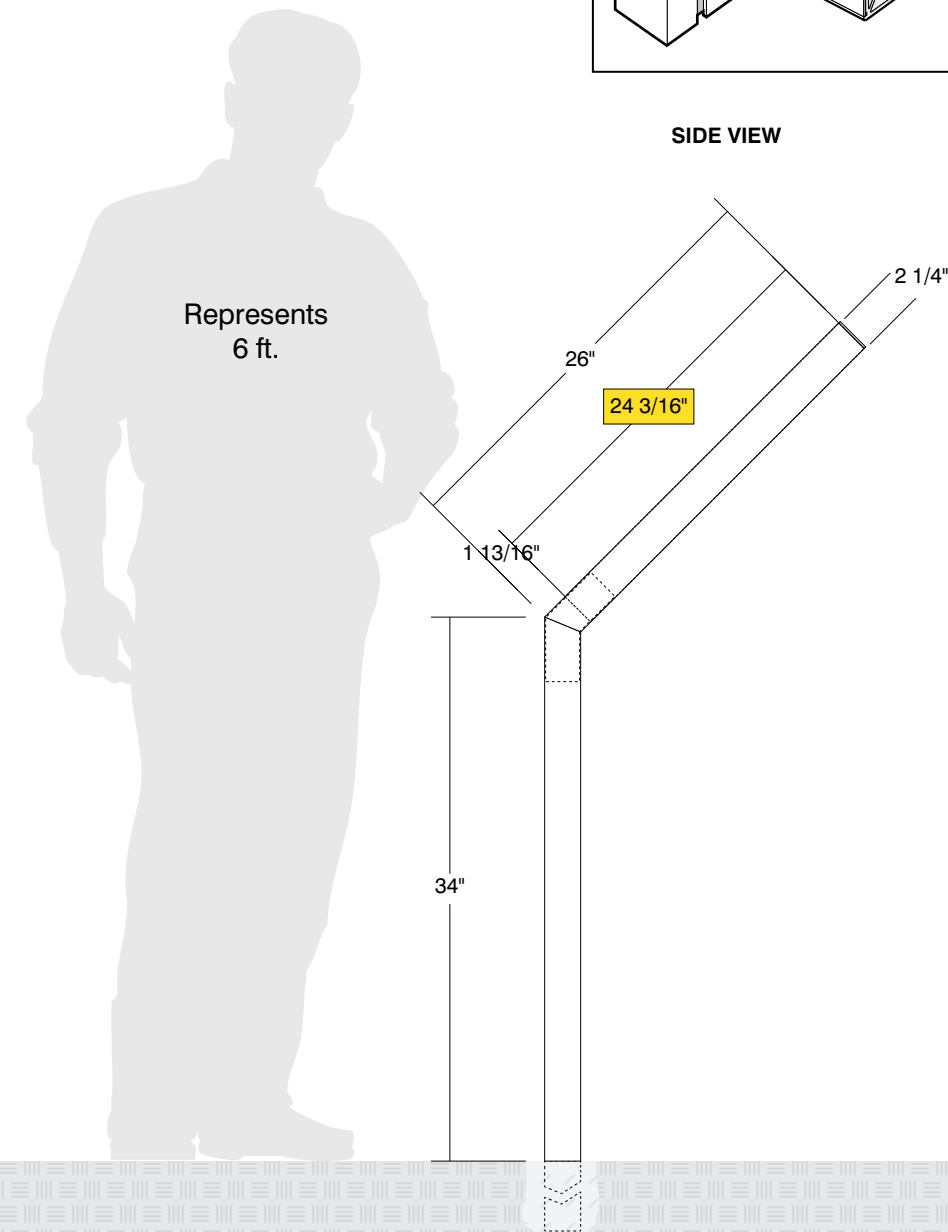
• **Double Post Mount**

- (2) Total Posts Size: 2 1/4" x 2 1/4" x (L) 90" with Caps
- Top Posts Size: 2 1/4" x 2 1/4" x (L) 26"
- Bottom Posts Size: 2 1/4" x 2 1/4" x (L) 64"
- (4) 3/16" Aluminum Internal Gussets

HED-225 Flush Face Detail



SIDE VIEW



Date	DWG# HED-225_BentBack	Scale:	1" = 1'	Customer	Mounting SF/DF	Double Post Mount		Quote #				
XX.XX.XX					Double Face							
Quantity				Location	Illuminated	NO	UL	Sales Rep.				
1					Voltage	N/A	Amp	Illustrator:				
Page				System	ADA	No	Rev. 0	Reviewed By:				
1 of 1				HED-225 (24" x 36") Bent Back Sign System	*Due to the ADA/ ANSI's wide interpretation and other factors that may exist, we cannot affirm compliance in all situations and is hereby removed from responsibility regarding these issues.							



• 6400 Howard Drive, Fairview PA 16415 • Toll Free 800.458.0591 •
 • PA 814.833.7000 • Fax 814.838.0011 •
 www.howardindustries.com

All concepts and designs represented by this drawing are the property of Howard Industries and may not be reproduced or used in any manner without written consent. ©Copyright 2020 Howard Industries.