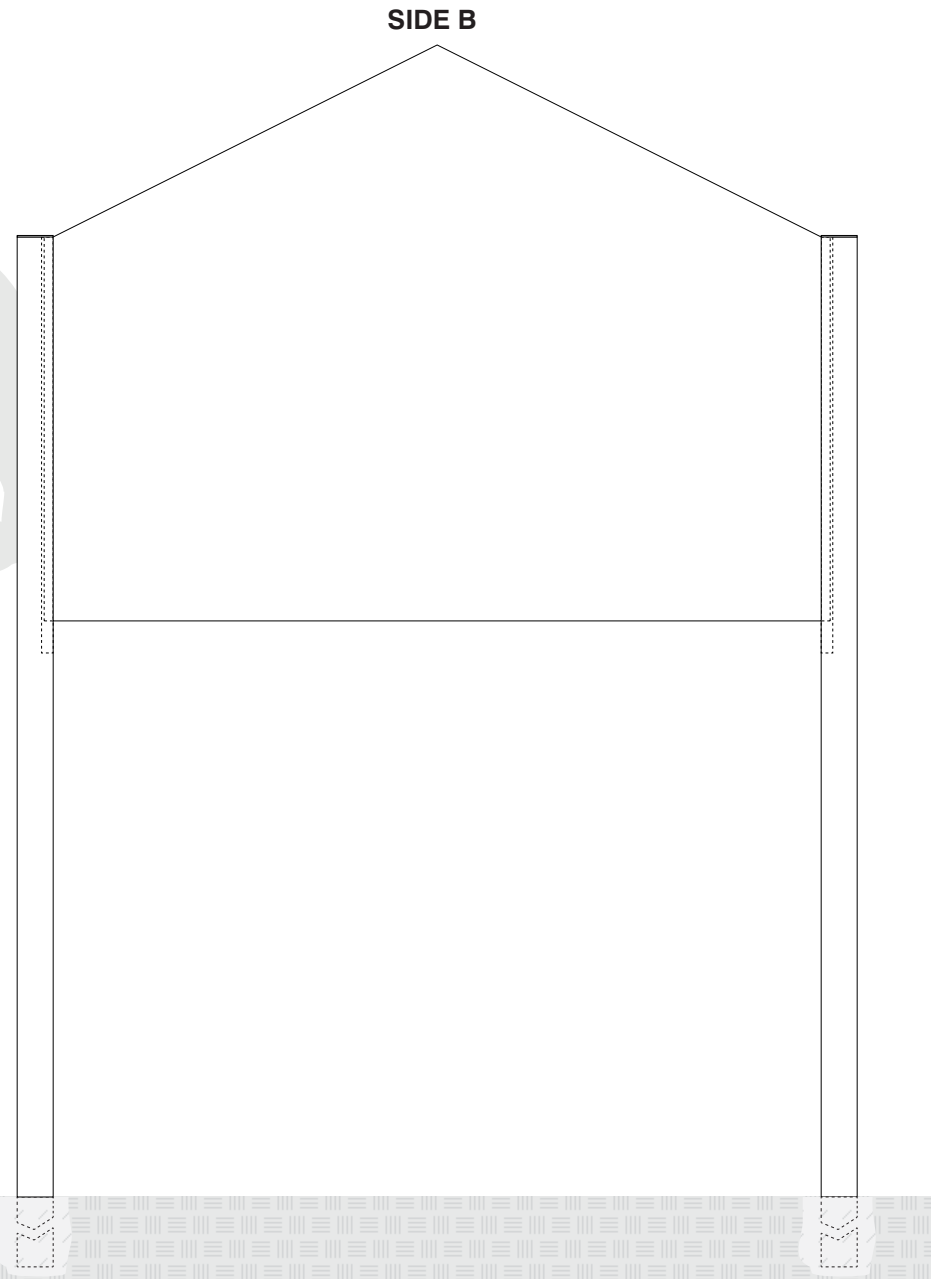
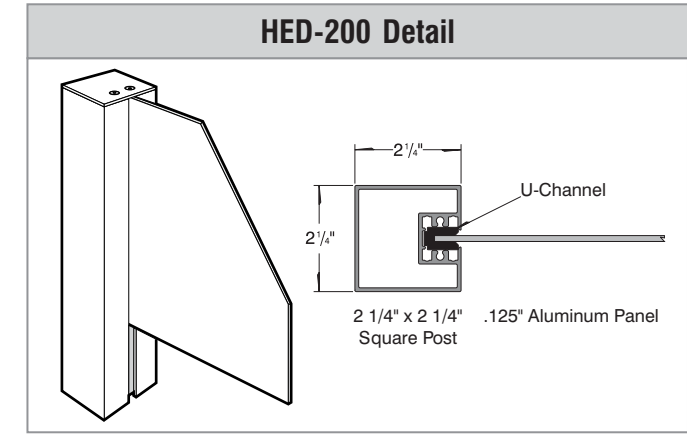



- **Sign System: HED-200 Peak**
  - (1) .125 Routed Aluminum Panel: (H) 36" x (L) 48"
  - (2) U-Channel Lengths @ 26"
- **Paint:**
  - Standard White - Panel, U-Channel, Post, Caps
- **Double Post Mount**
  - (2) Post Cap & Post Size: 2 1/4" x 2 1/4" x (L) 90"



|          |                   |        |       |          |   |   |                   |        |              |  |  |
|----------|-------------------|--------|-------|----------|---|---|-------------------|--------|--------------|--|--|
| Date     | DWG# HED-200_Peak | Scale: | 1"=1' | Customer |   | Mounting  | Double Post Mount |        | Quote #      |  |  <p>• 6400 Howard Drive, Fairview PA 16415 • Toll Free 800.458.0591 •<br/>         • PA 814.833.7000 • Fax 814.838.0011 •<br/> <a href="http://www.howardindustries.com">www.howardindustries.com</a></p> <p>All concepts and designs represented by this drawing are the property of Howard Industries and may not be reproduced or used in any manner without written consent. ©Copyright 2020 Howard Industries.</p> |
| XX.XX.XX |                   |        |       | Location |   | SF/DF   | Double Face       |        | Sales Rep.   |  |  |
| Quantity |                   |        |       | System   | HED-200 (36" x 48")<br>Peak Top Sign System | Illuminated   | NO                | UL     | Illustrator: |  |  |
| 1        |                   |        |       |          |   | Voltage   | N/A               | Amp    | Reviewed By: |  |  |
| Page     |                   |        |       |          |   | ADA   | No                | Rev. 0 |              |  |  |
| 1 of 1   |                   |        |       |          |   | <small>*Due to the ADA/ANSI's wide interpretation and other factors that may exist, we cannot affirm compliance in all situations and is hereby removed from responsibility regarding these issues.</small> |                   |        |              |  |  |