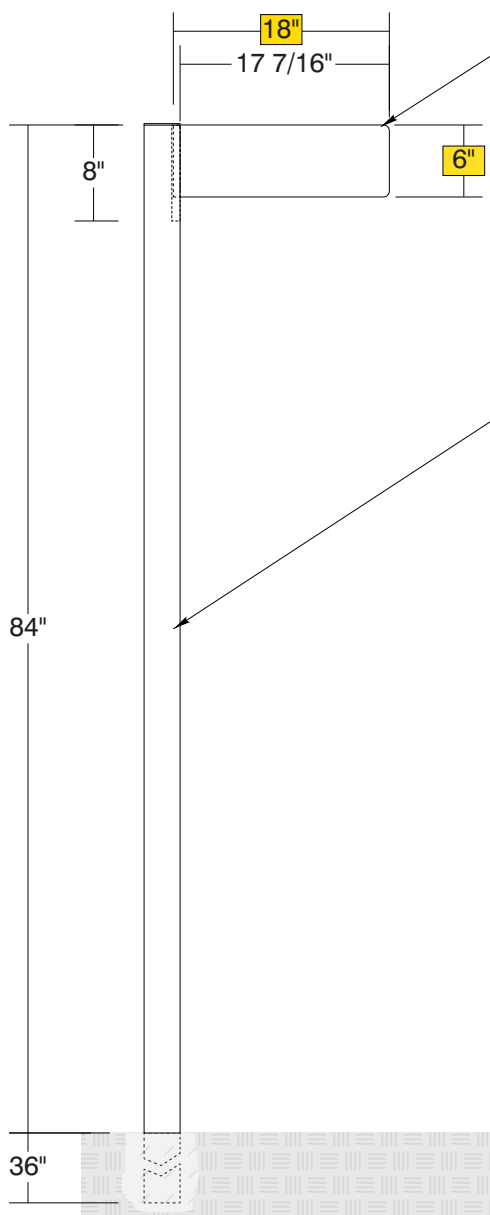


TOP VIEW

SIDE A



• Sign System: HED-200 Corner Post Flag Mount

- (2) .125 Aluminum Panel: (H) 6" x (L) 18"
- (2) 1/2" Safety Radius Corners
- (2) U-Channel: (L) 8"

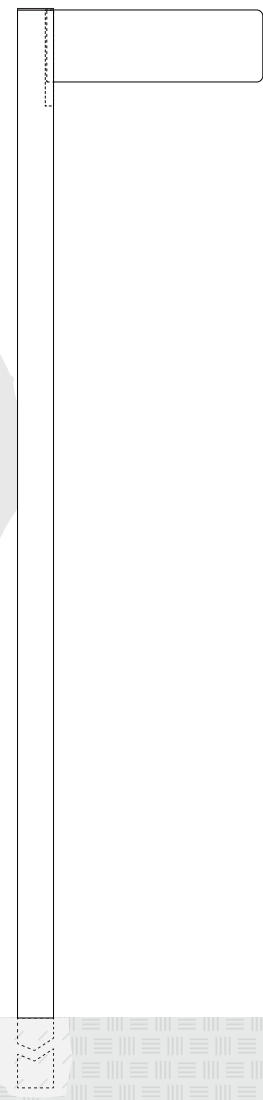
• Paint:

- Standard White - Panel, U-Channel, Post, Cap

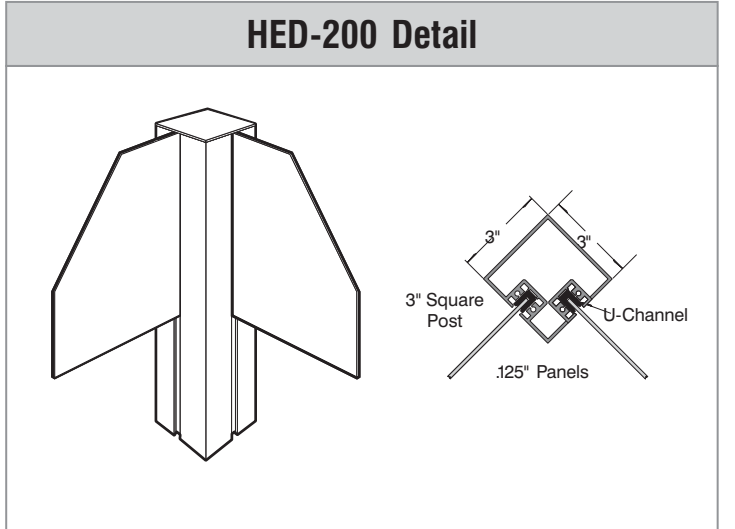
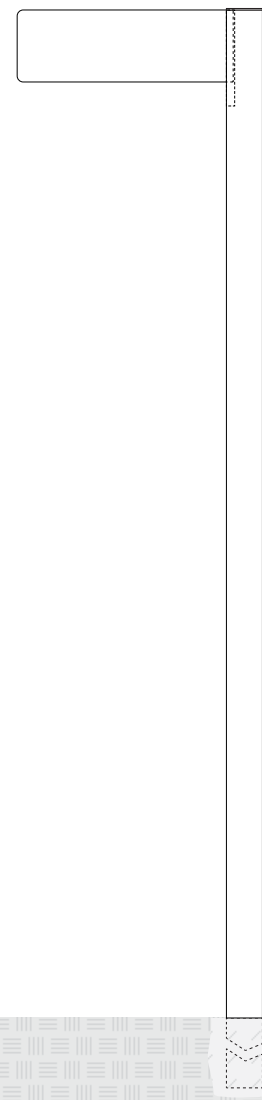
• Post Mount

- (1) Post Cap & Corner Post: 3" x 3" x (L) 120"


SIDE VIEW



SIDE B



HED-200 Detail

Date	DWG# HED-200_FlagMountCP	Scale:	3/4" = 1'	Customer		Mounting	Single Corner Post Mount		Quote #		 <p>• 6400 Howard Drive, Fairview PA 16415 • Toll Free 800.458.0591 • • PA 814.833.7000 • Fax 814.838.0011 • www.howardindustries.com</p> <p>All concepts and designs represented by this drawing are the property of Howard Industries and may not be reproduced or used in any manner without written consent. ©Copyright 2020 Howard Industries.</p>
XX.XX.XX				Location		SF/DF	Double Face		Sales Rep.		
Quantity				System	HED-200 (6" x 18") Flag Mount-Corner Post Sign System	Illuminated	NO	UL	Illustrator:		
1						Voltage	N/A	Amp	Reviewed By:		
Page						ADA	No	Rev. 0			

*Due to the ADA/ANSI's wide interpretation and other factors that may exist, we cannot affirm compliance in all situations and is hereby removed from responsibility regarding these issues.