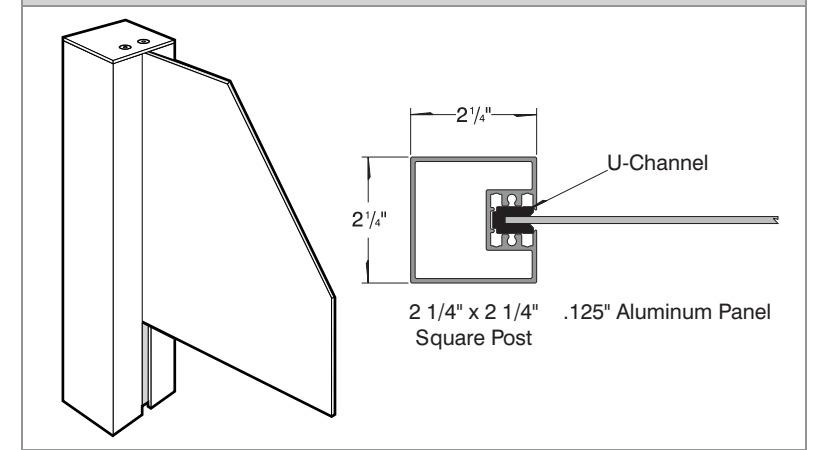


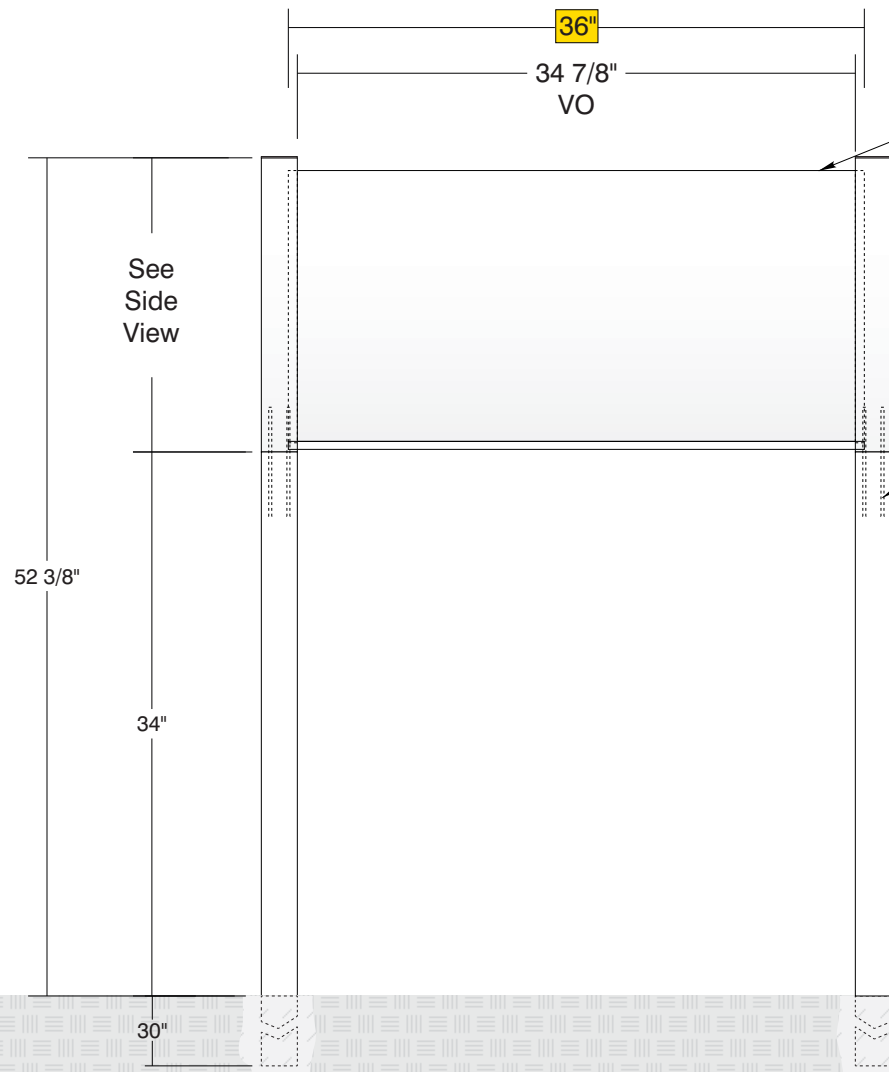
TOP VIEW



HED-200 Detail



SIDE A



Sign System: HED-200 Bent Back

- (1) .125 Aluminum Panel: (H) 24 1/2" x (L) 36
- (1) 1/2" Support Bottom Bend
- (2) 22.5° Miter U-Channel Lengths @ 25 1/2"

Paint:

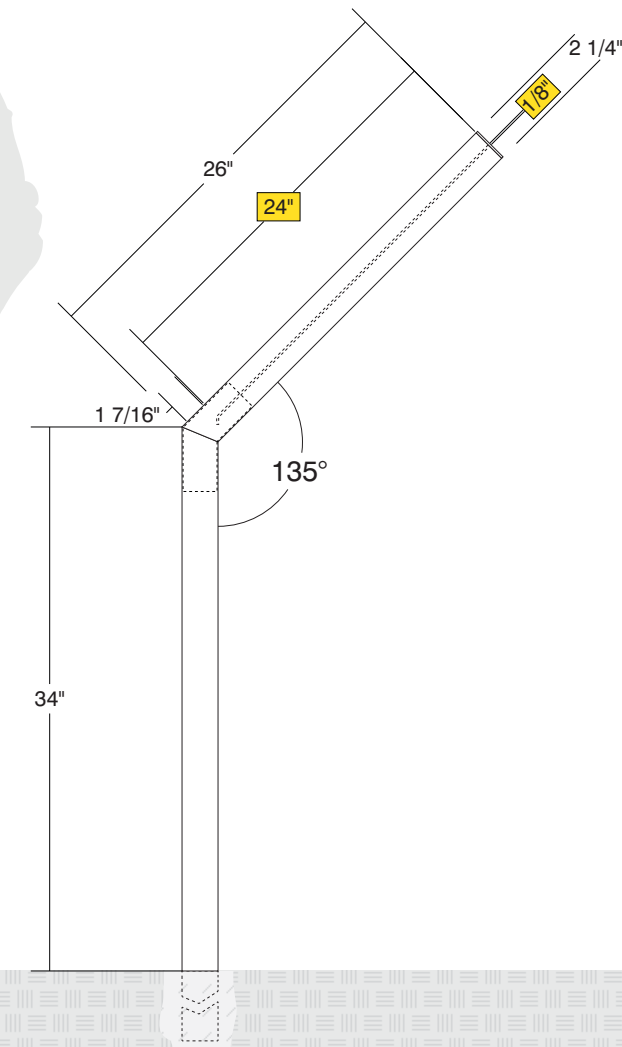
- Standard White - Panel, Posts, Caps


(22 1/2°) Double Post Mount

- (2) Total Post and Post Cap Size: 2 1/4" x 2 1/4" x (L) 90"
- Top Post Size: 2 1/4" x 2 1/4" x (L) 26"
- Bottom Post Size: 2 1/4" x 2 1/4" x (L) 64"
- (4) 3/16" Aluminum Internal Gussets

Represents
6 ft.

SIDE VIEW



Date	DWG# HED-200_BentBack	Scale:	1"=1'	Customer		Mounting	Double Bent Back Post Mount		Quote #		 <p>• 6400 Howard Drive, Fairview PA 16415 • Toll Free 800.458.0591 • • PA 814.833.7000 • Fax 814.838.0011 • www.howardindustries.com</p> <p>All concepts and designs represented by this drawing are the property of Howard Industries and may not be reproduced or used in any manner without written consent. ©Copyright 2020 Howard Industries.</p>	
XX.XX.XX				Location		SF/DF	Single Face		Sales Rep.			
Quantity				System	HED-200 (24" x 36") Bent Back Sign System	Illuminated	NO	UL	Illustrator:			
1						Voltage	N/A	Amp	N/A	Reviewed By:		
Page						ADA	No	Rev. 0				

*Due to the ADA/ANSI's wide interpretation and other factors that may exist, we cannot affirm compliance in all situations and is hereby removed from responsibility regarding these issues.