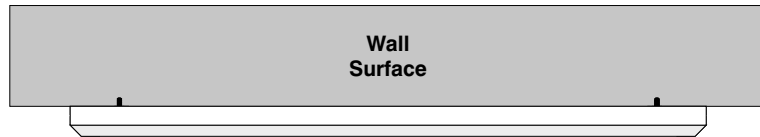
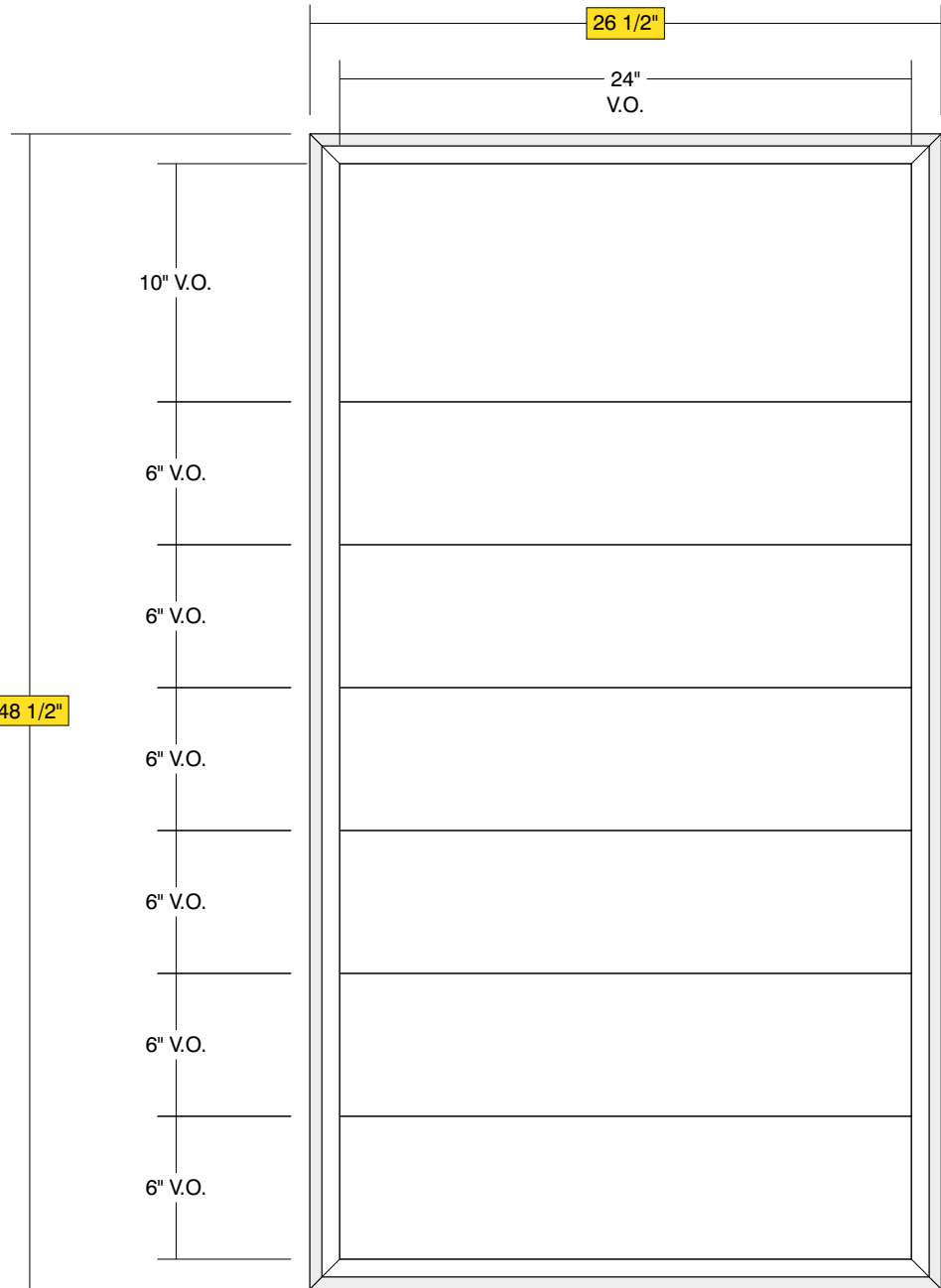


TOP VIEW



FRONT VIEW



• **Sign System: DSS-125 Changeable Panel**

- (1) .050" Top Aluminum Panel: (H) 12.24" x (L) 25 1/4"
- (5) .050" Middle Aluminum Panels: (H) 12.031" x (L) 25 1/4"
- (1) .050" Bottom Aluminum Panel: (H) 8.16" x (L) 25 1/4"

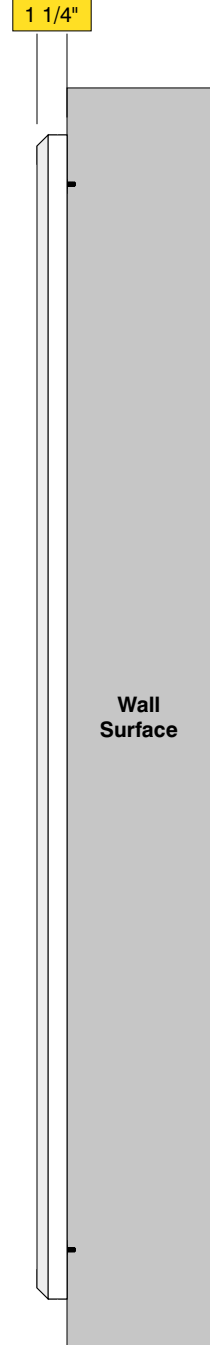
• **Paint:**

- Standard White - Frame, Panel

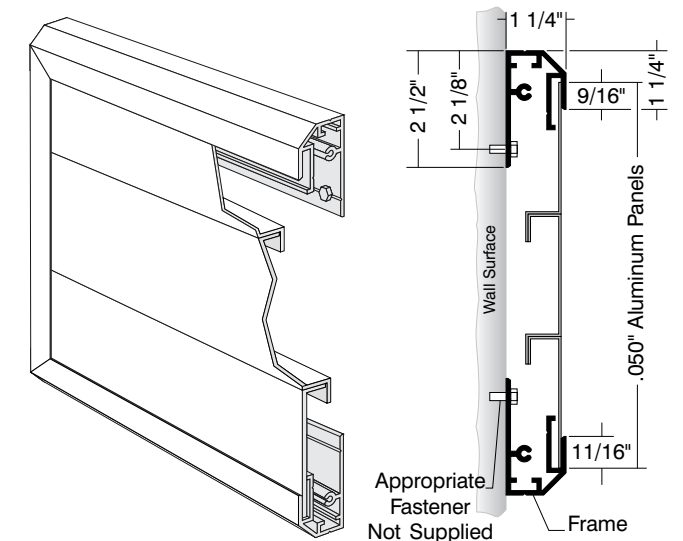
• **Mounting Information**

- Wall Mounted

SIDE VIEW



DSS-125 Changeable Panel Wall Mount Detail



Date	DWG# DSS-125_ChangeablePanel	Scale:	1 1/2"=1'	Customer		Mounting	Wall Mounted	Quote #	
XX.XX.XX				Location		SF/DF	Single Face	Sales Rep.	
Quantity				System	DSS-125 (46" x 24") Changeable Panel Sign System	Illuminated	NO	Illustrator:	
1						Voltage	N/A	UL	
Page						ADA	No	Amp	
1 of 1								Rev. 0	
						*Due to the ADA/ ANSI's wide interpretation and other factors that may exist, we cannot affirm compliance in all situations and is hereby removed from responsibility regarding these issues.			
						Reviewed By:			



• 6400 Howard Drive, Fairview PA 16415 • Toll Free 800.458.0591 •
 • PA 814.833.7000 • Fax 814.838.0011 •
 www.howardindustries.com

All concepts and designs represented by this drawing are the property of Howard Industries and may not be reproduced or used in any manner without written consent. ©Copyright 2020 Howard Industries.