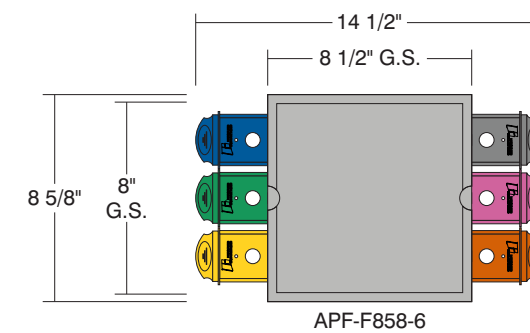
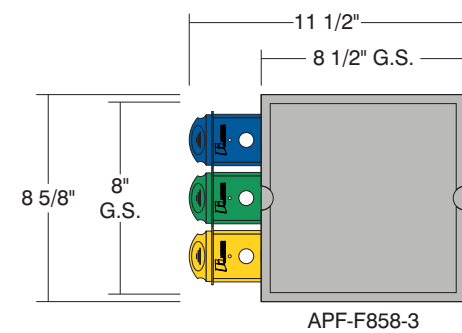
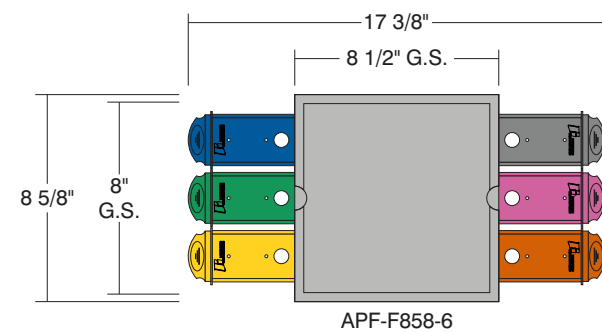
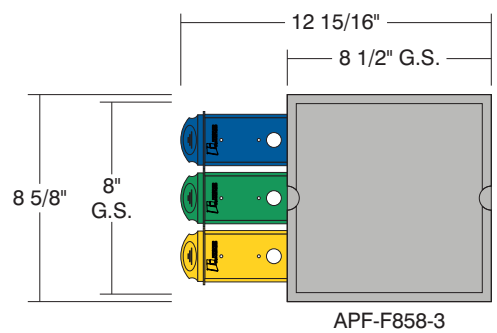
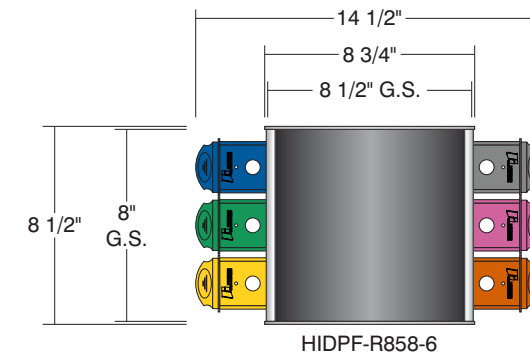
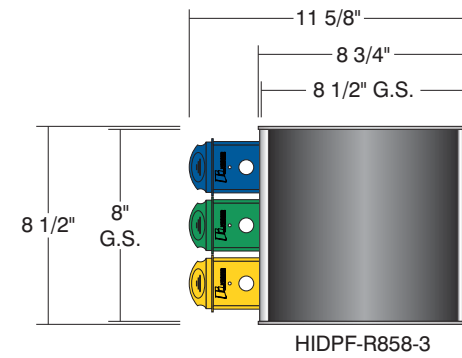
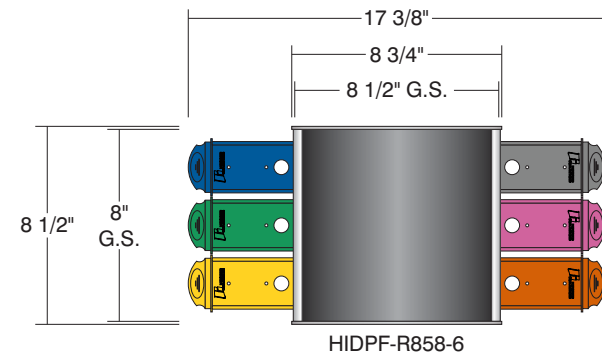
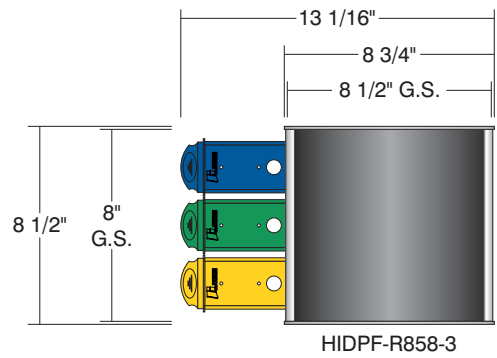
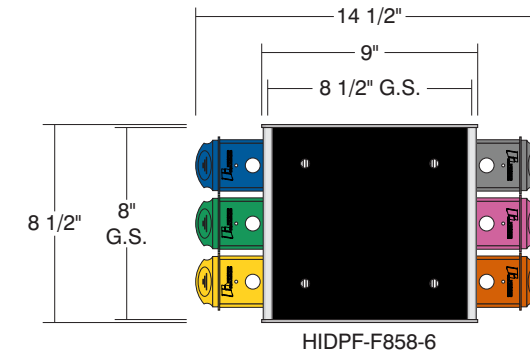
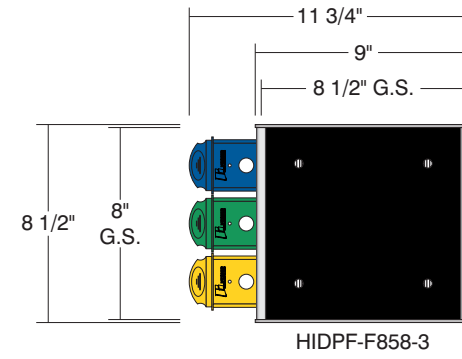
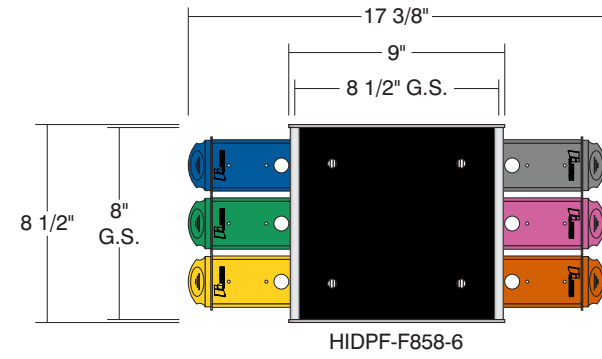
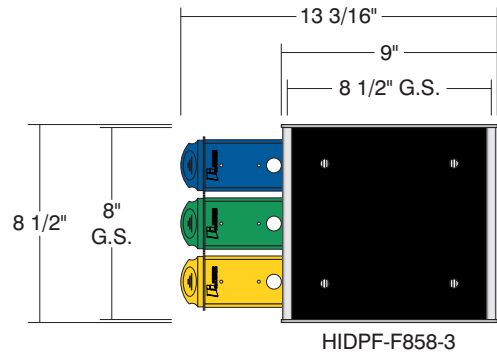


# 8" x 8 1/2" Graphic Size

# PF Standards

PAGE 1 OF 18



Drawing #

PF Standards

Date

10.8.18

Scale

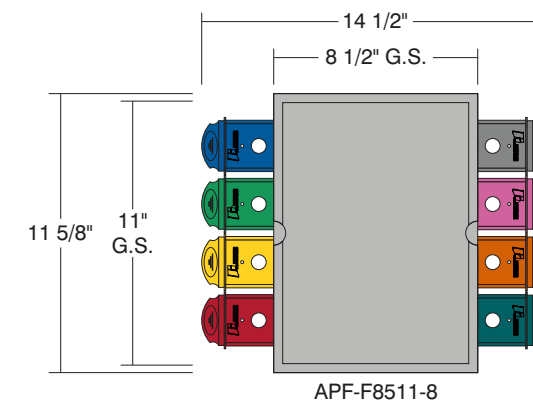
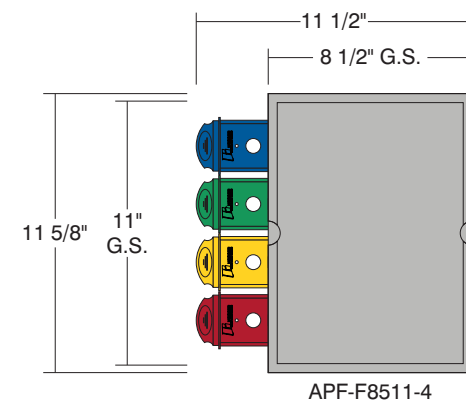
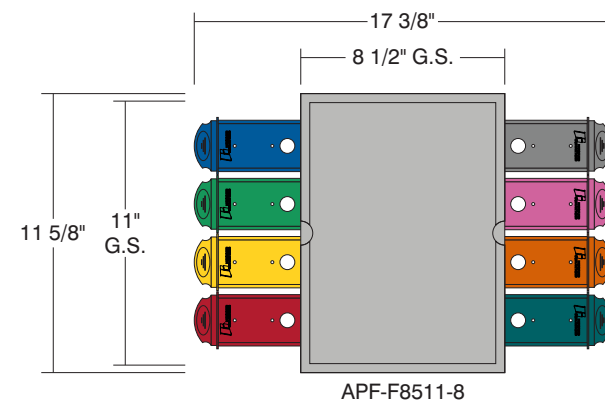
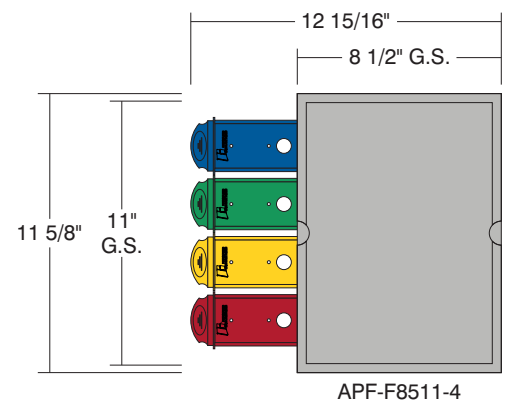
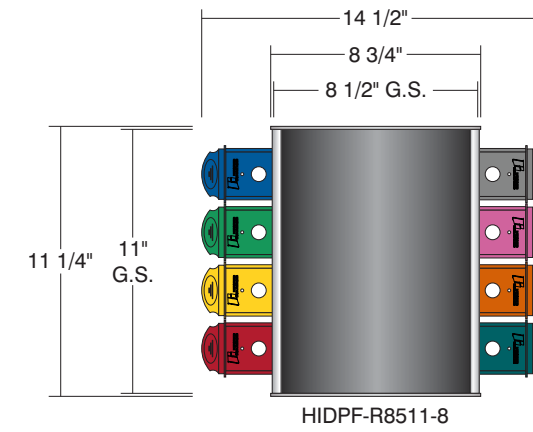
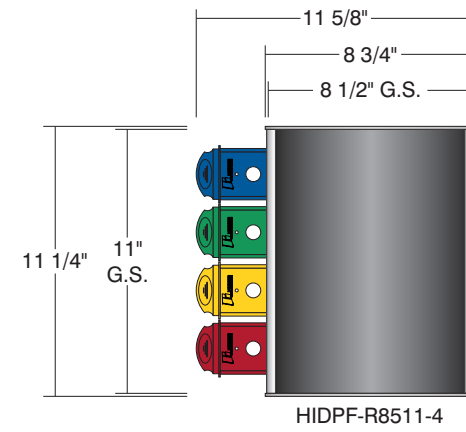
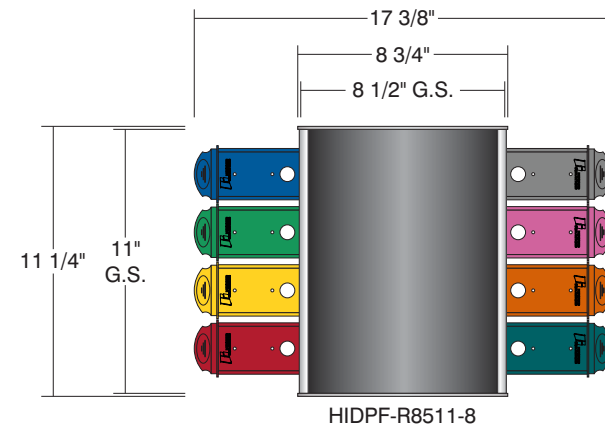
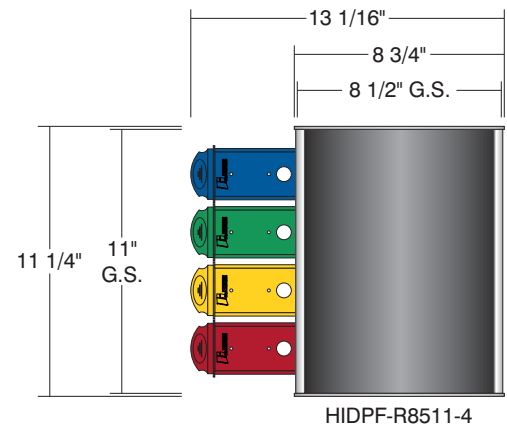
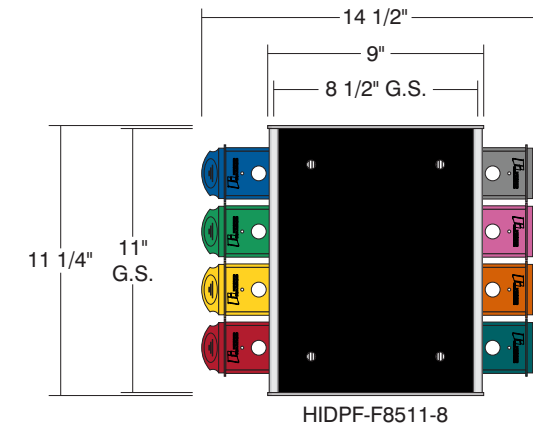
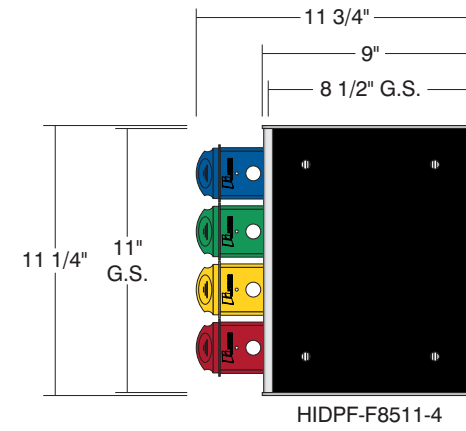
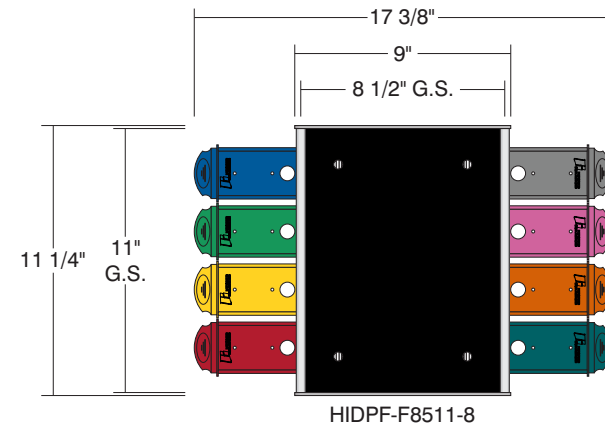
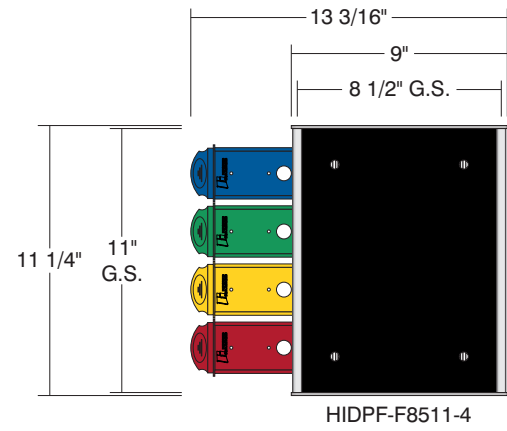
1 1/2" = 1'

Drawn By

TWG

Approved \_\_\_\_\_





Drawing #

PF Standards

Date

10.8.18

Scale

1 1/2" = 1'

Drawn By

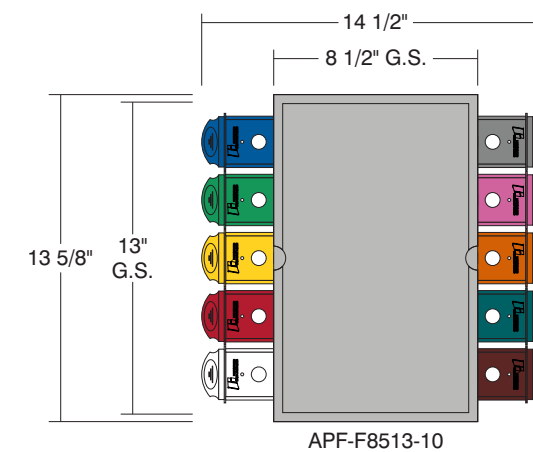
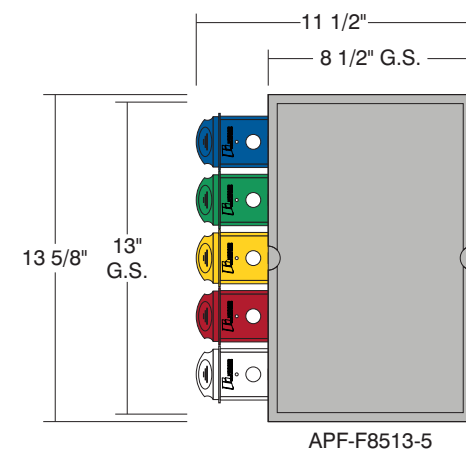
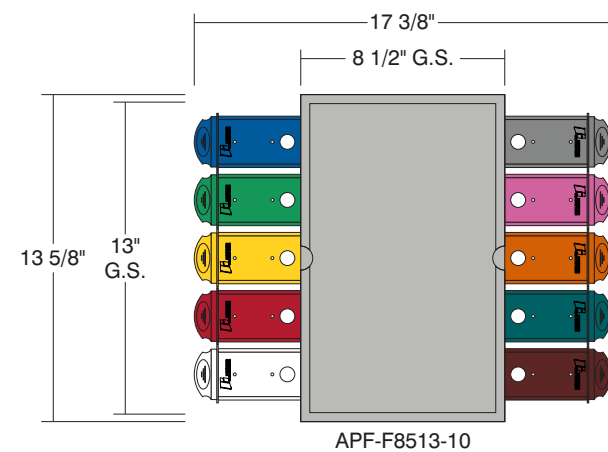
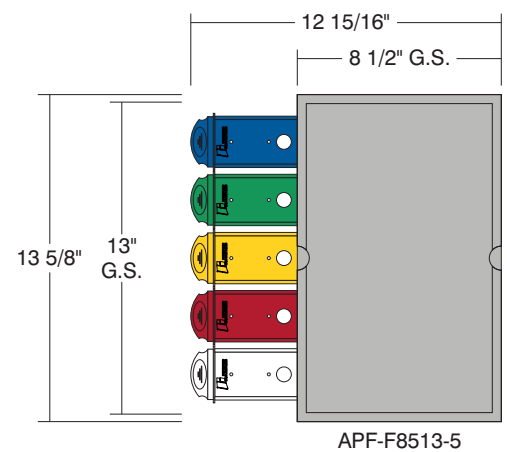
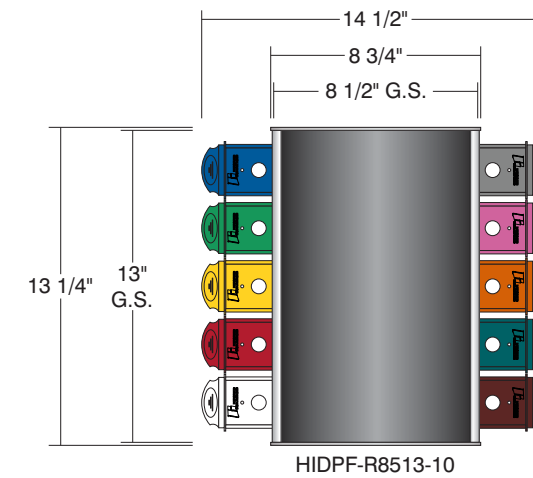
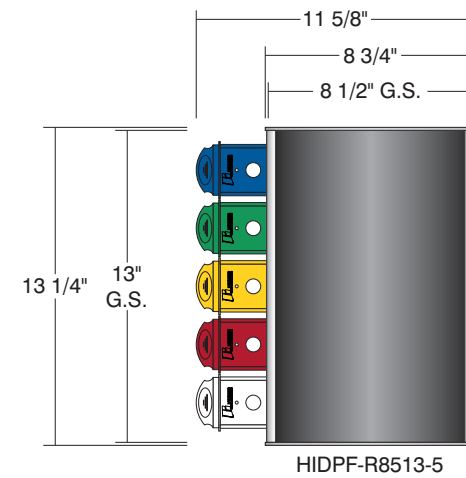
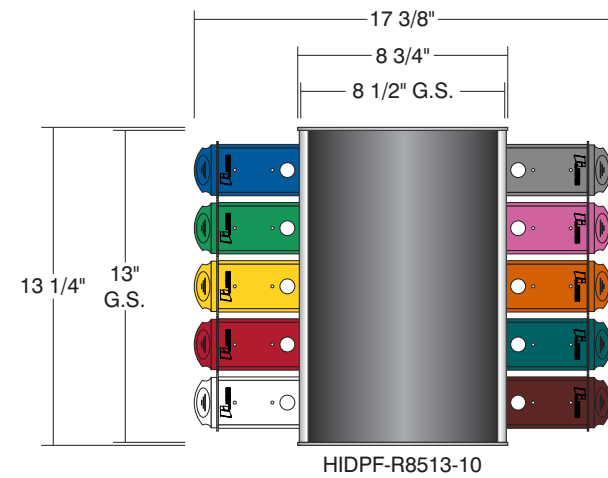
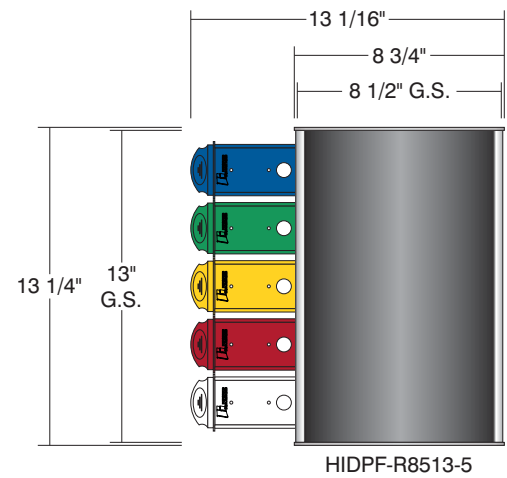
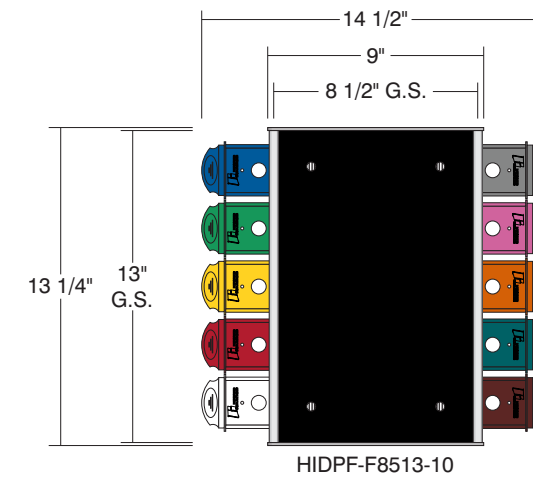
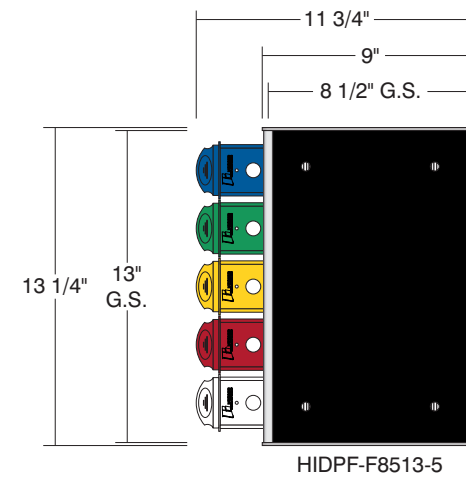
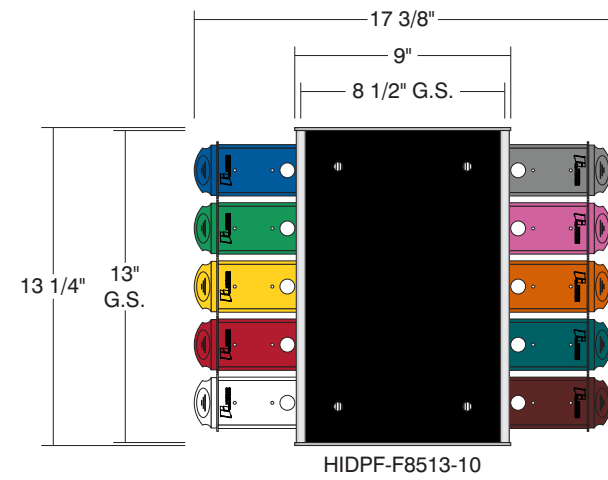
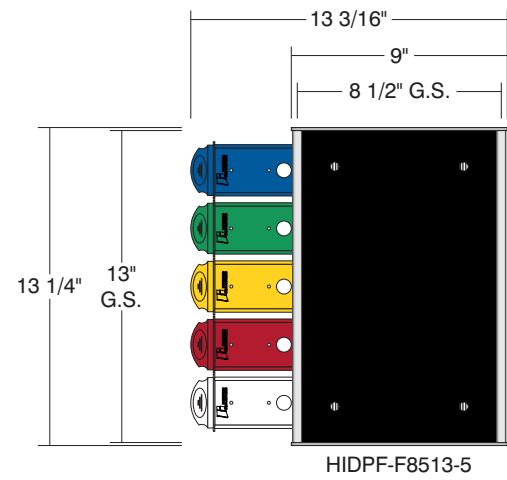
TWG

Approved \_\_\_\_\_



# 13" x 8 1/2" Graphic Size

# PF Standards



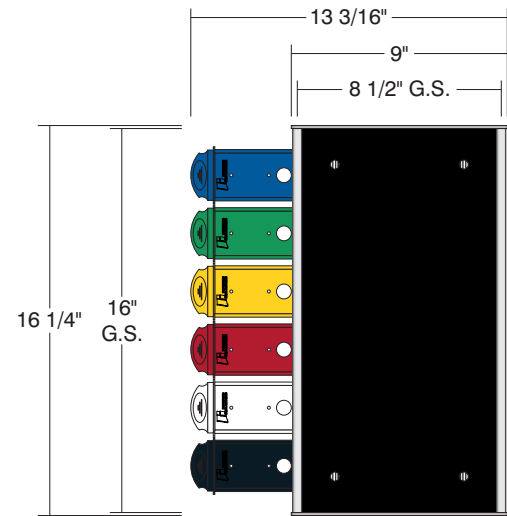
Drawing #	PF Standards
Date	10.8.18
Scale	1 1/2" = 1'
Drawn By	TWG

Approved \_\_\_\_\_

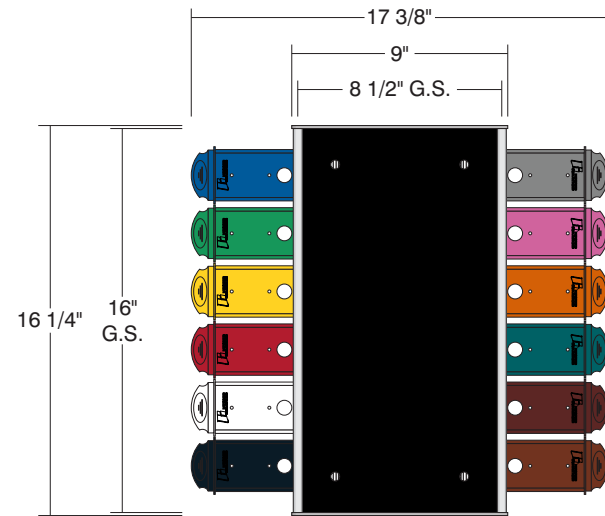


# 16" x 8 1/2" Graphic Size

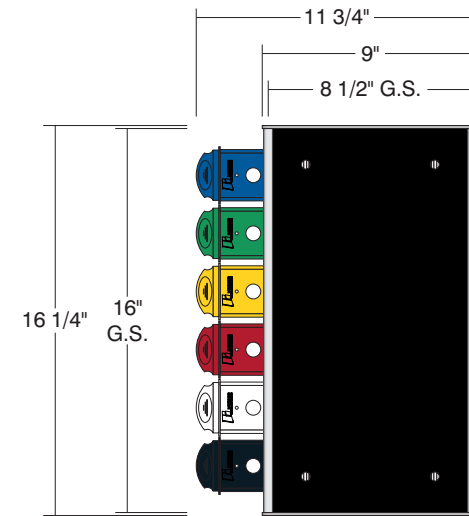
# PF Standards



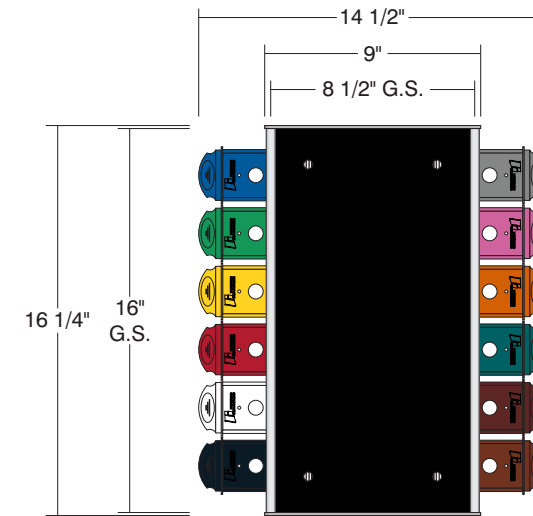
HIDPF-F8516-6



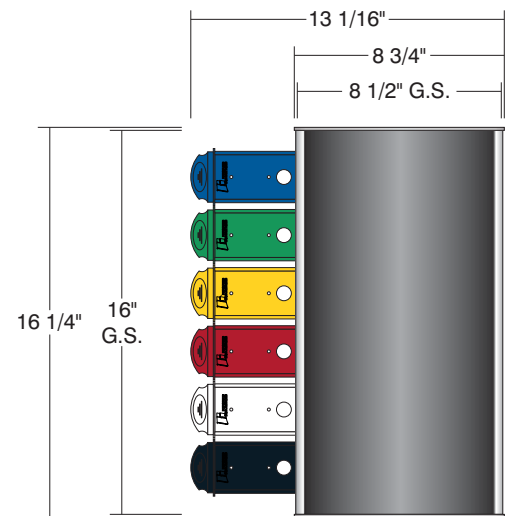
HIDPF-F8516-12



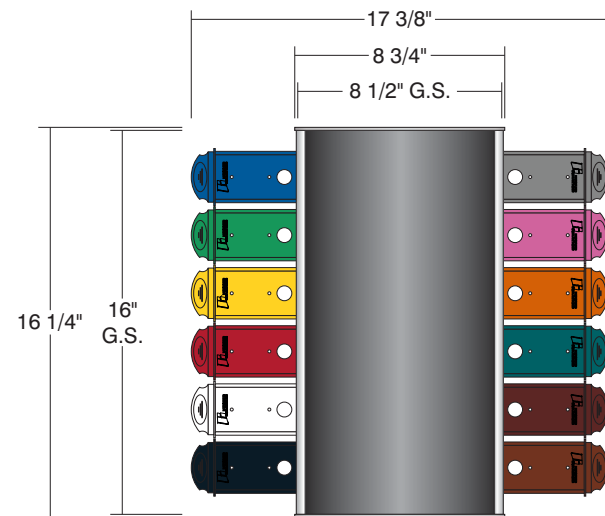
HIDPF-F8516-6



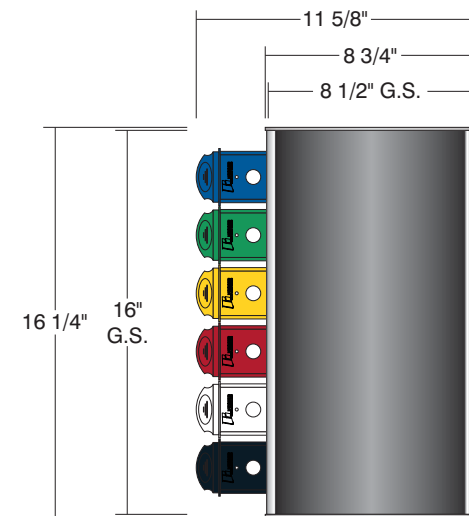
HIDPF-F8516-12



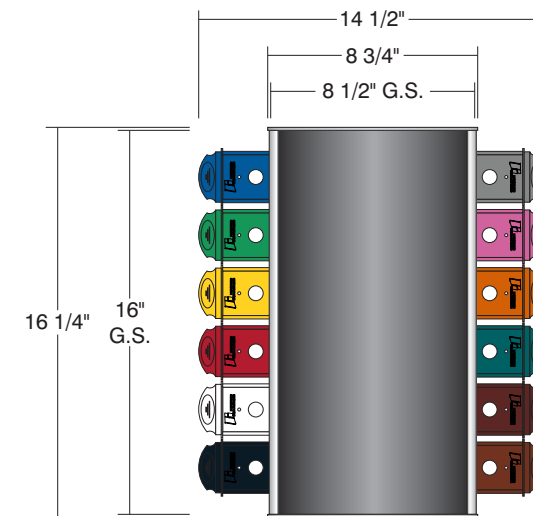
HIDPF-R8516-6



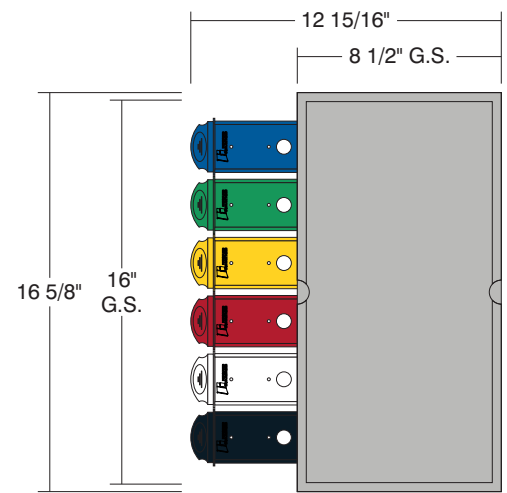
HIDPF-R8516-12



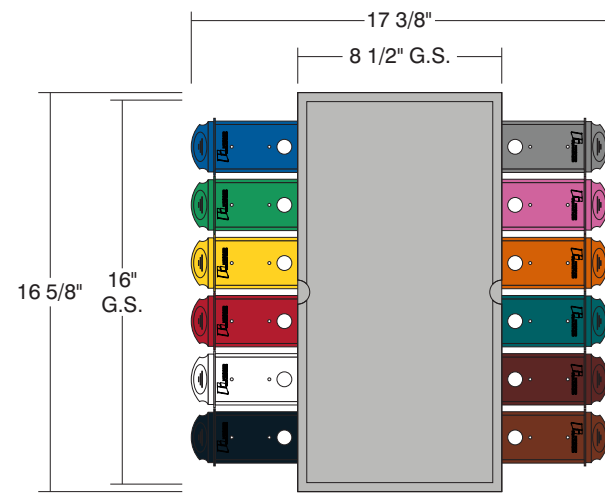
HIDPF-R8516-6



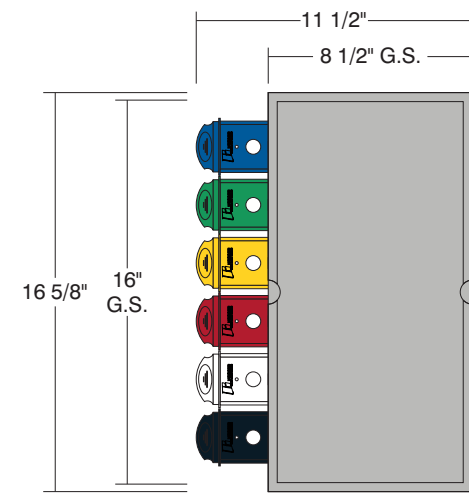
HIDPF-R8516-12



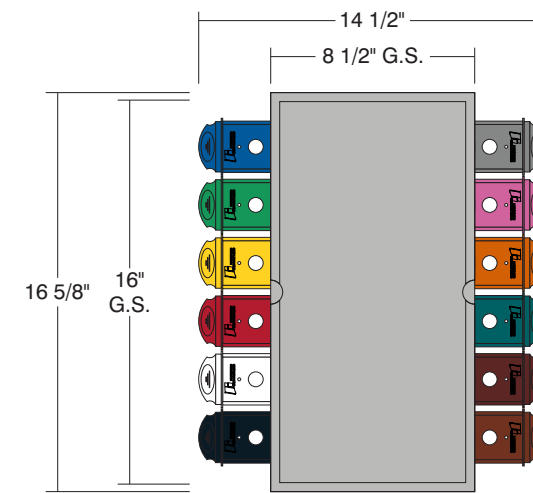
APF-F8516-6



APF-F8516-12



APF-F8516-6



APF-F8516-12

Drawing #

PF Standards

Date

10.8.18

Scale

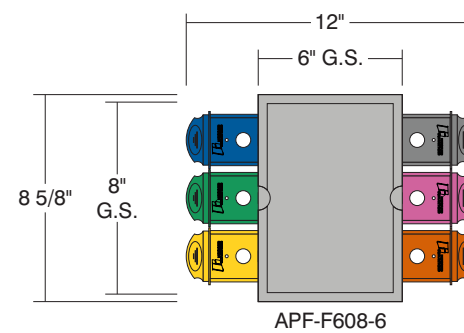
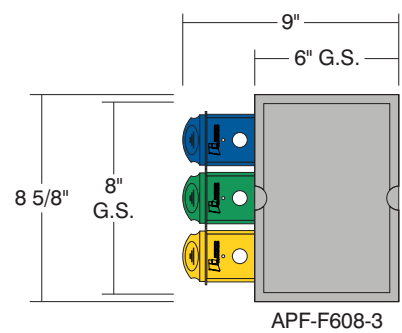
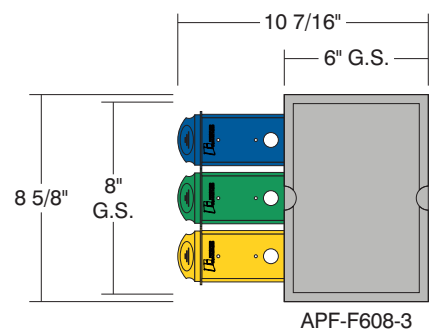
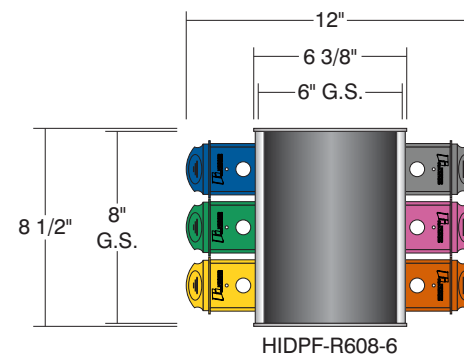
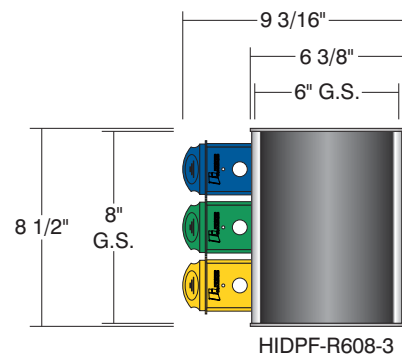
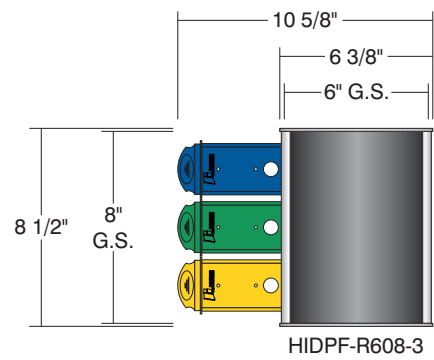
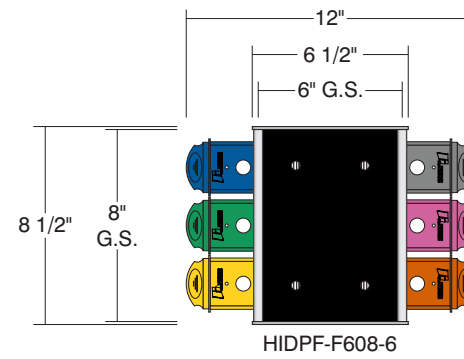
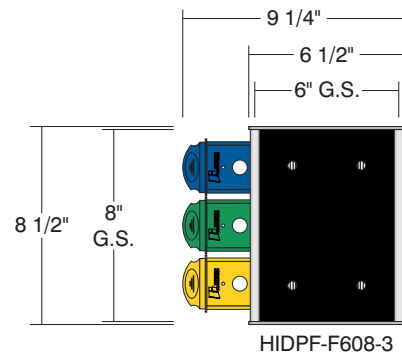
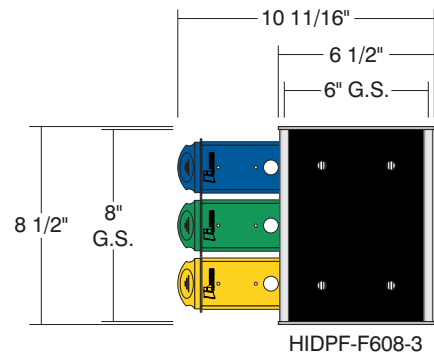
1 1/2" = 1'

Drawn By

TWG

Approved \_\_\_\_\_





Drawing #

PF Standards

Date

10.8.18

Scale

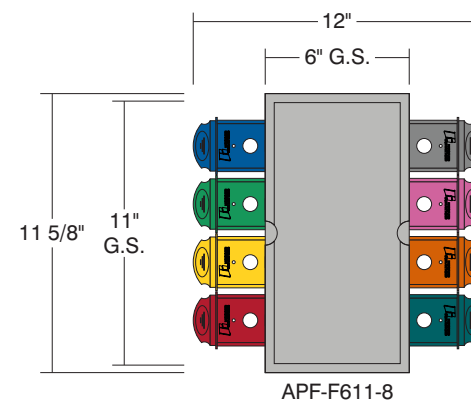
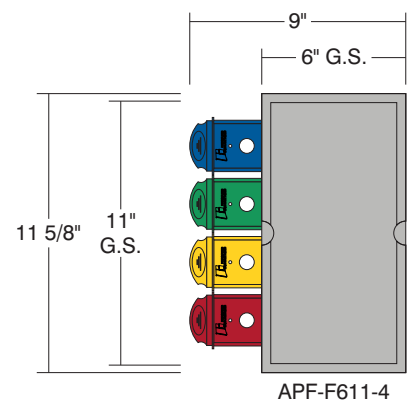
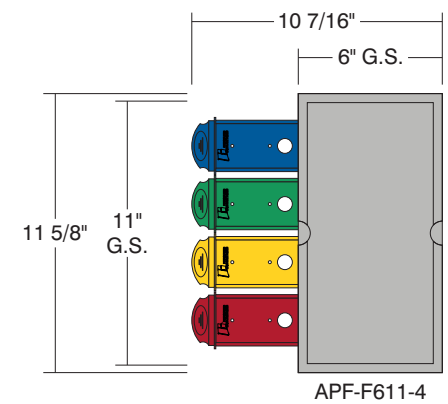
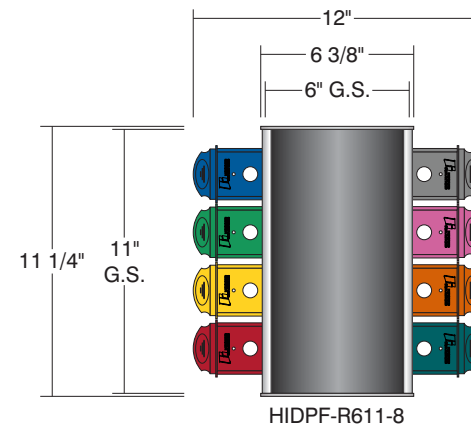
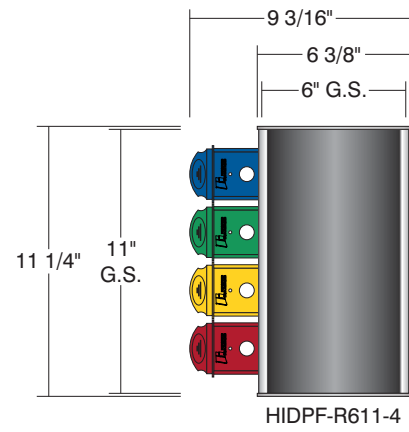
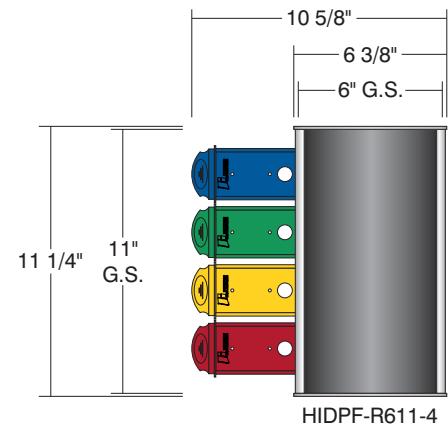
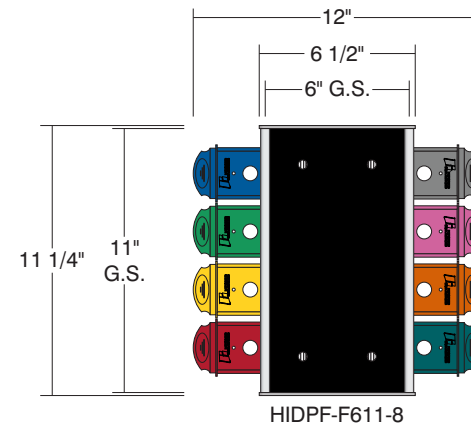
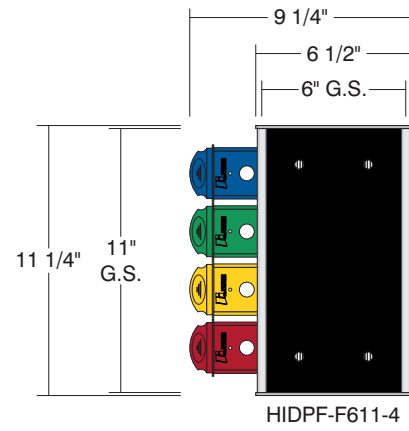
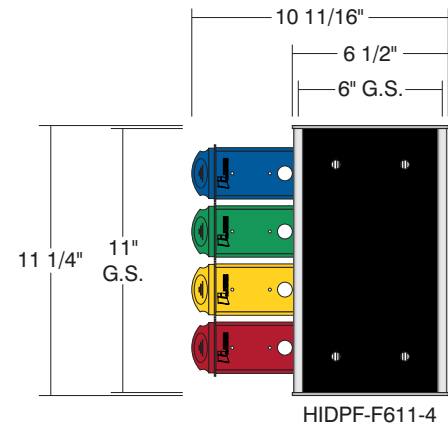
1 1/2" = 1'

Drawn By

TWG

Approved \_\_\_\_\_

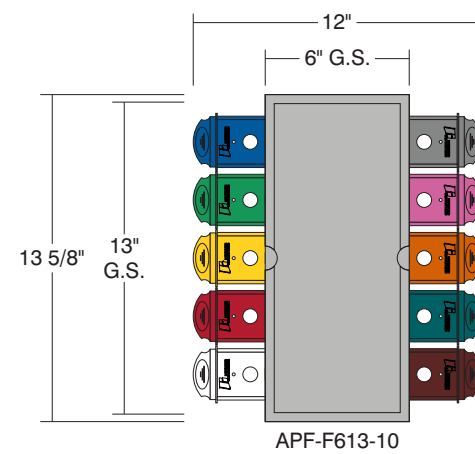
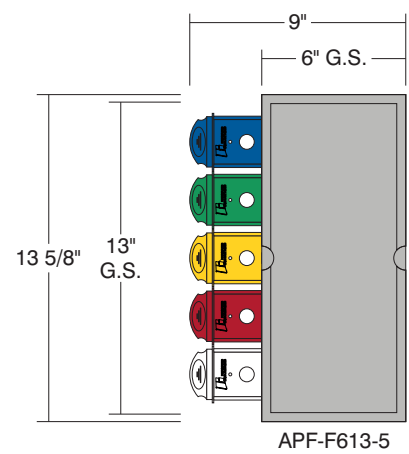
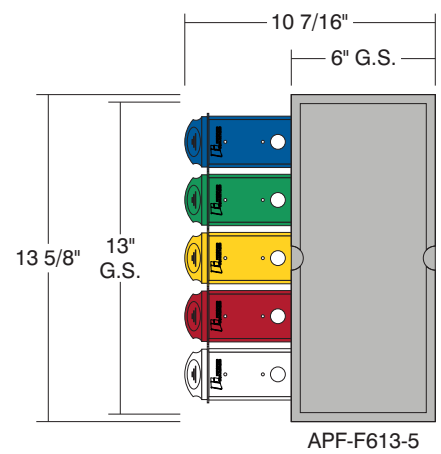
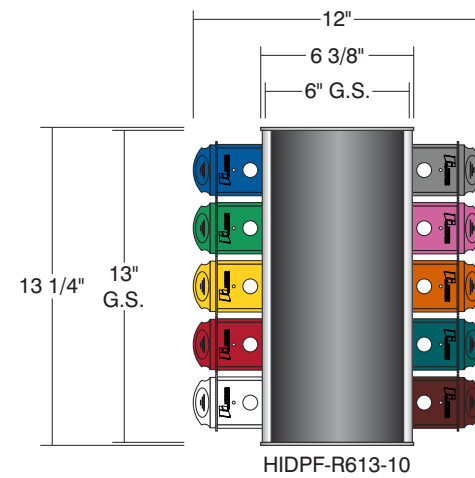
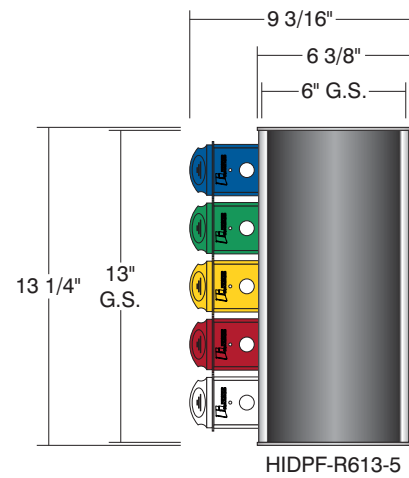
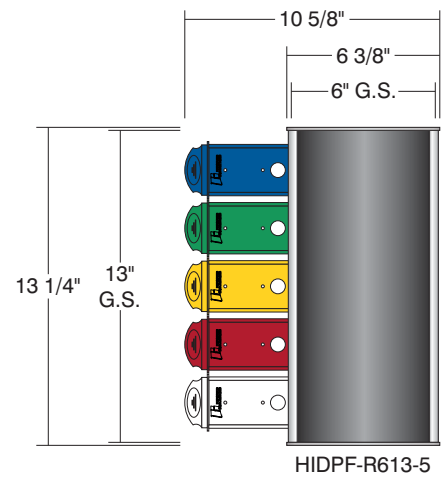
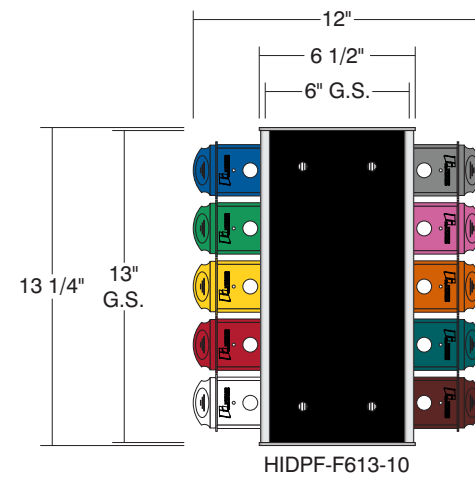
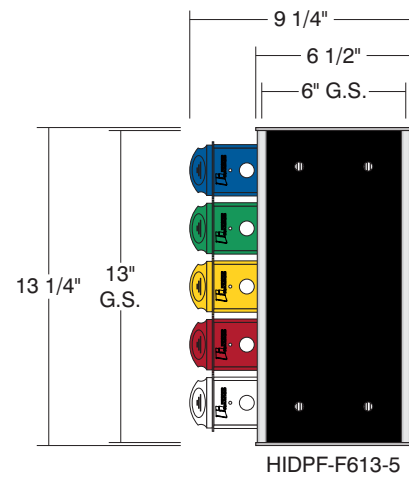
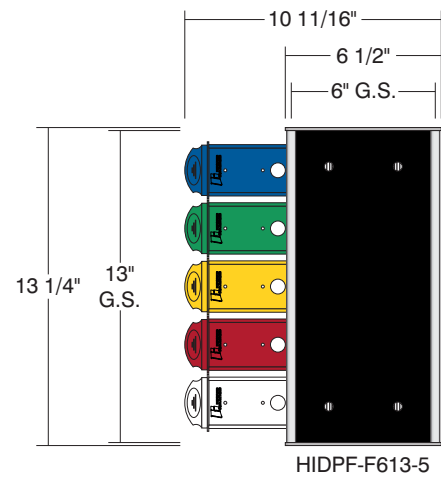




Drawing #	PF Standards
Date	10.8.18
Scale	1 1/2" = 1'
Drawn By	TWG

Approved \_\_\_\_\_

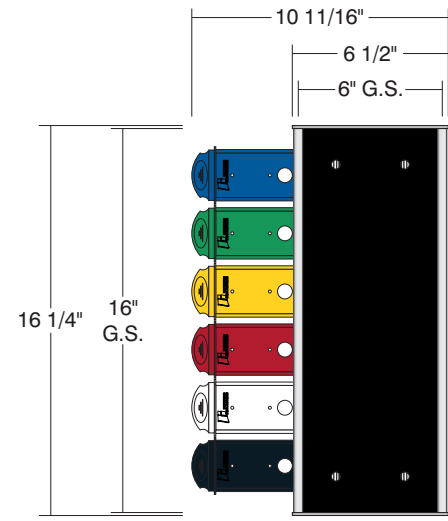




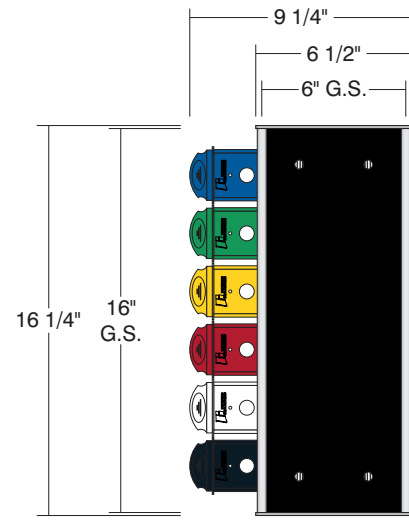
Drawing #	PF Standards
Date	10.8.18
Scale	1 1/2" = 1'
Drawn By	TWG

Approved \_\_\_\_\_

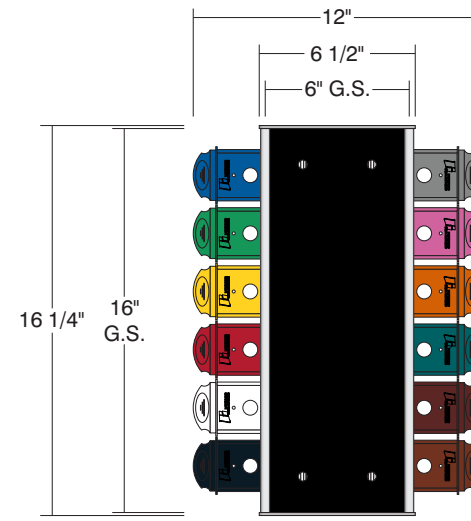




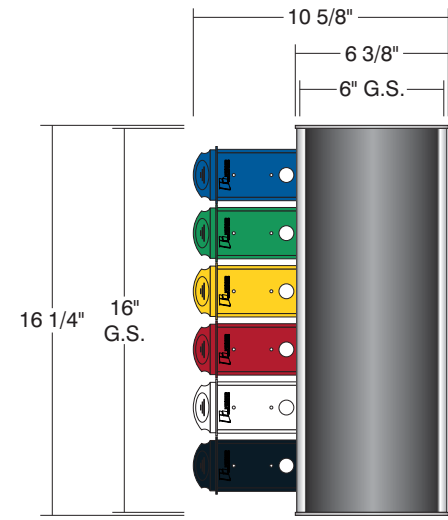
HIDPF-F616-6



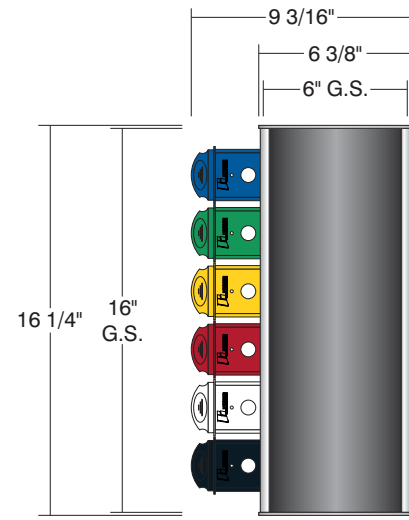
HIDPF-F616-6



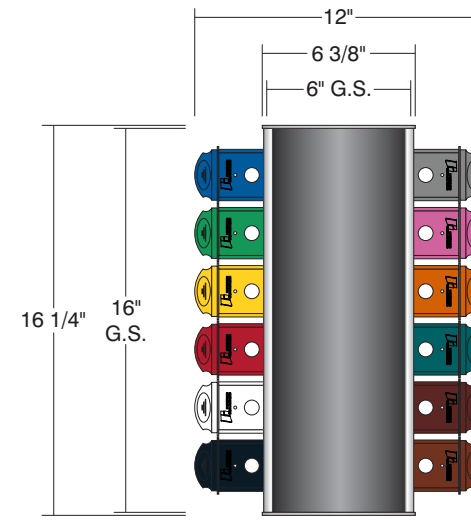
HIDPF-F616-12



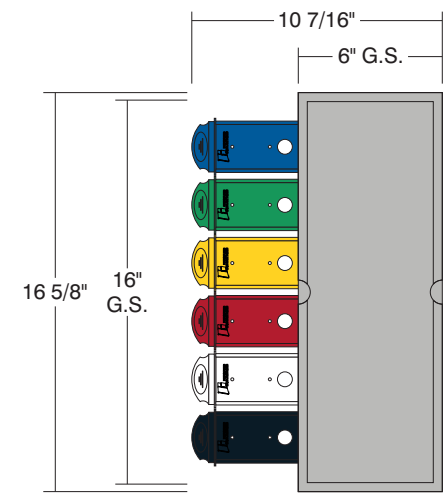
HIDPF-R616-6



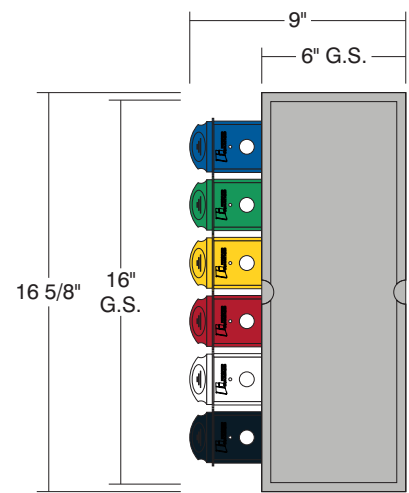
HIDPF-R616-6



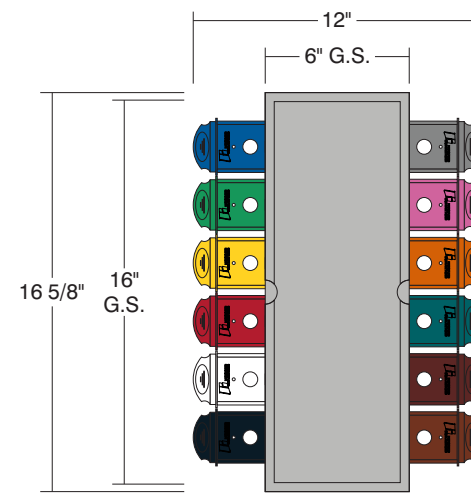
HIDPF-R616-12



APF-F616-6



APF-F616-6

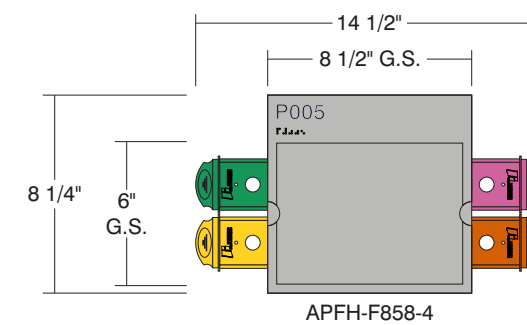
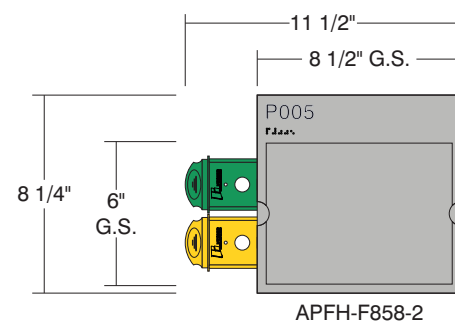
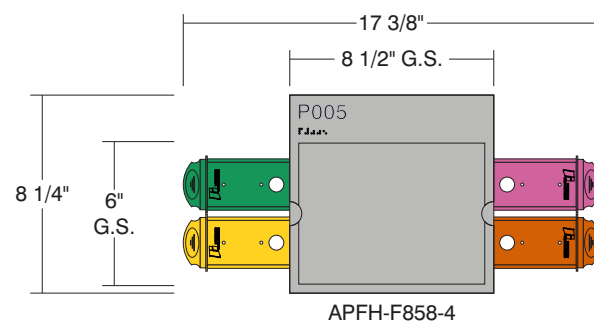
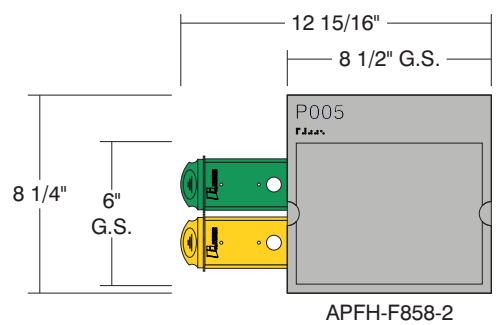
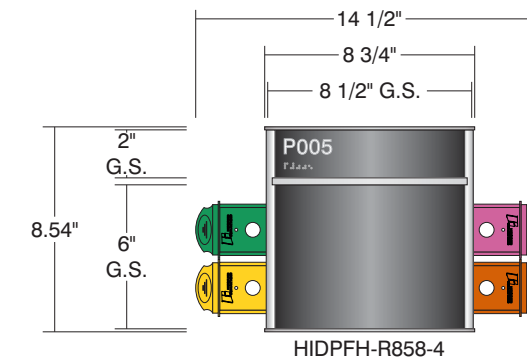
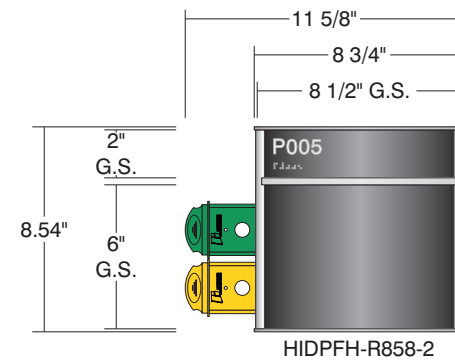
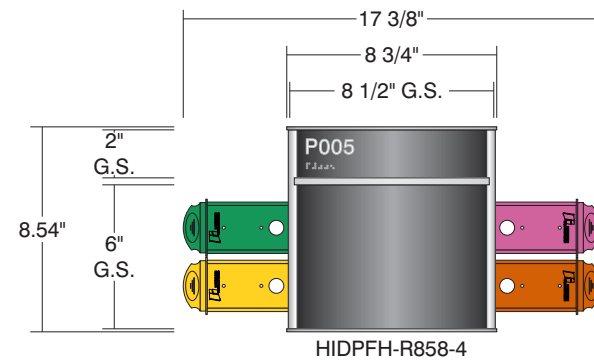
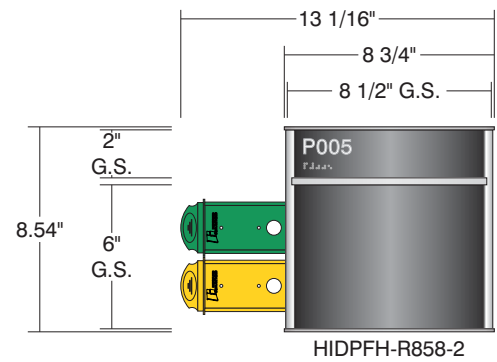
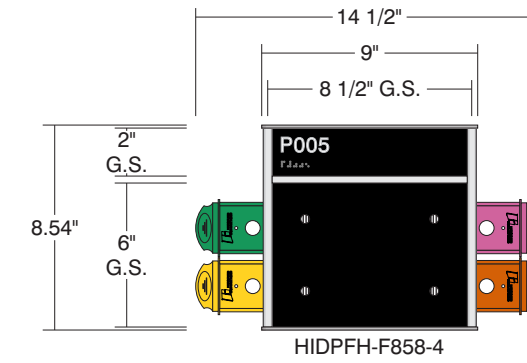
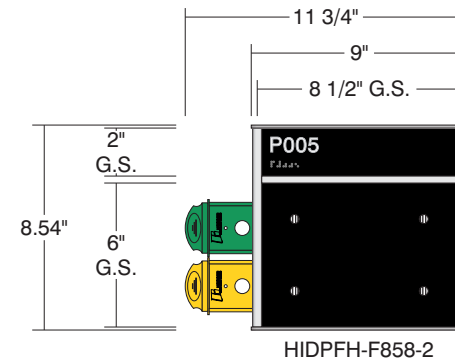
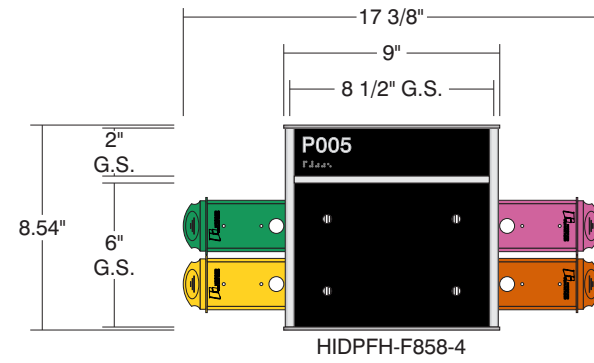
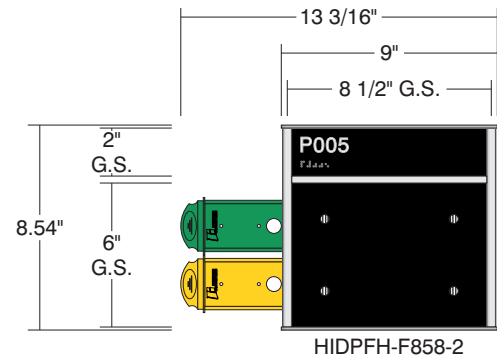


APF-F616-12

Drawing #	PF Standards
Date	10.8.18
Scale	1 1/2" = 1'
Drawn By	TWG

Approved \_\_\_\_\_





Drawing #

PF Standards

Date

10.8.18

Scale

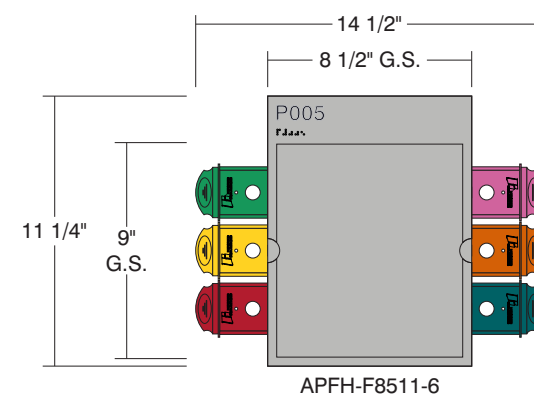
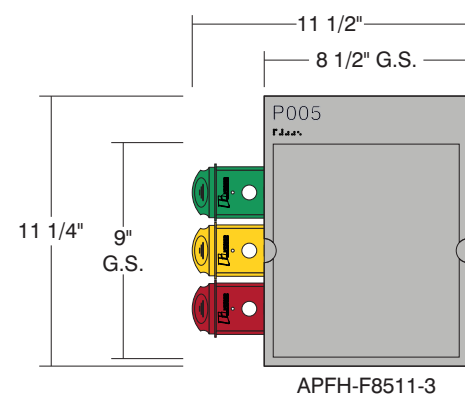
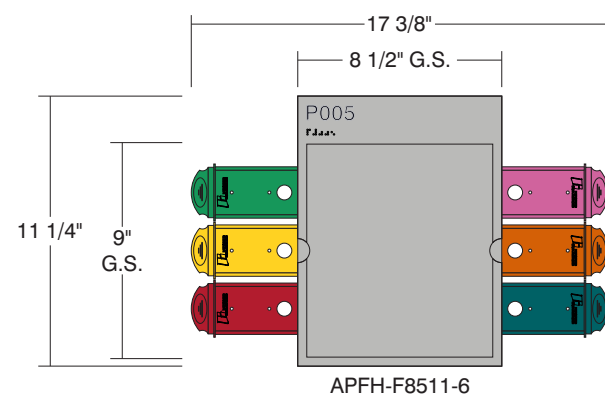
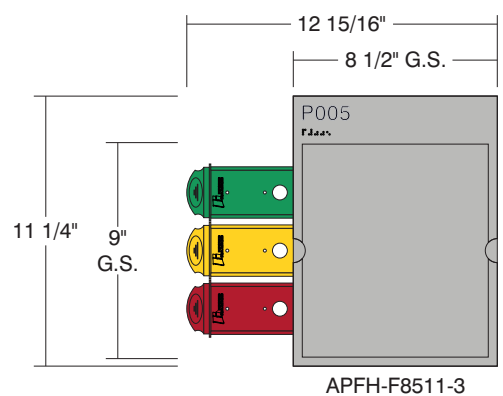
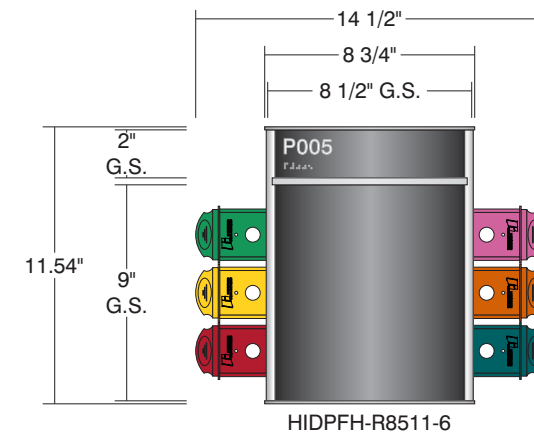
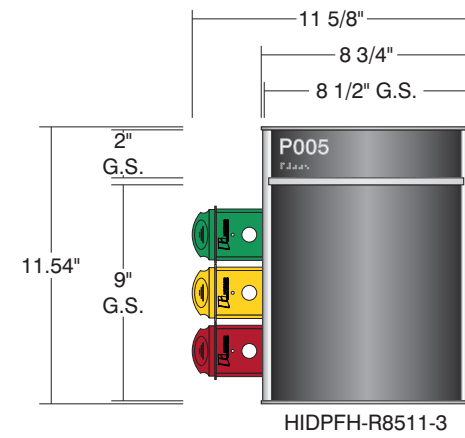
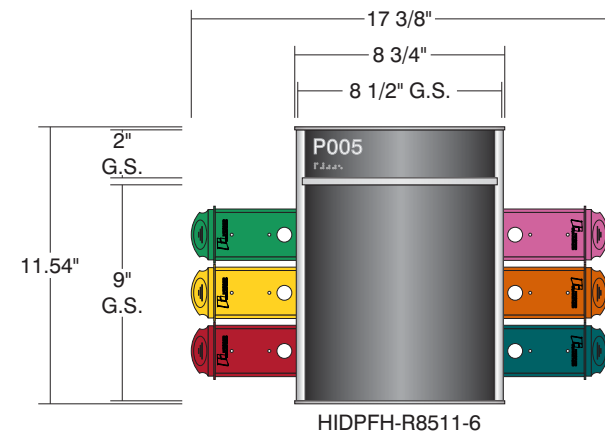
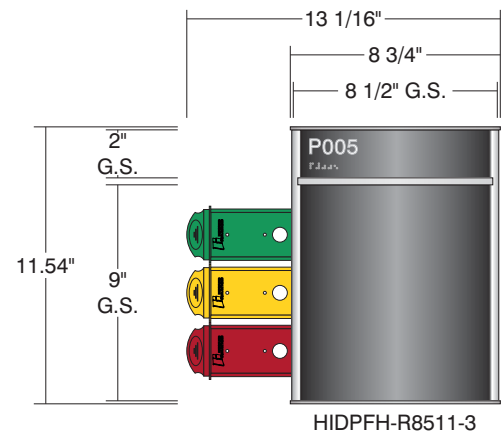
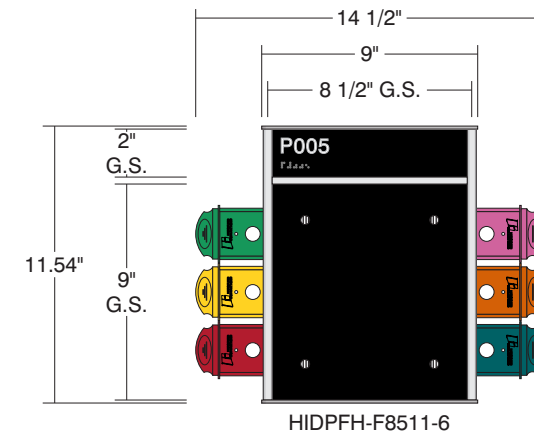
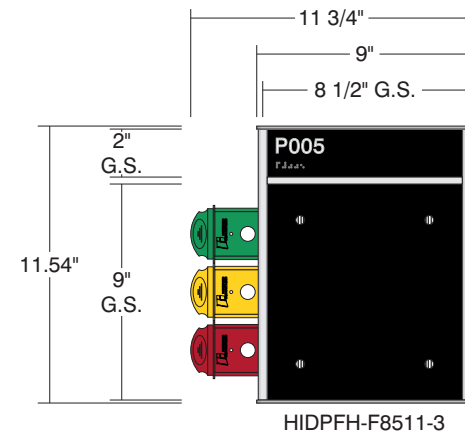
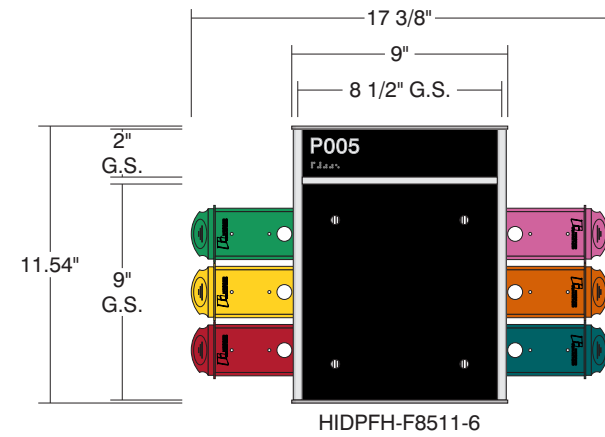
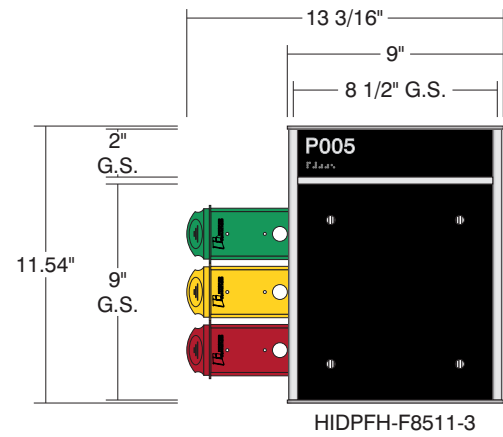
1 1/2" = 1'

Drawn By

TWG

Approved \_\_\_\_\_

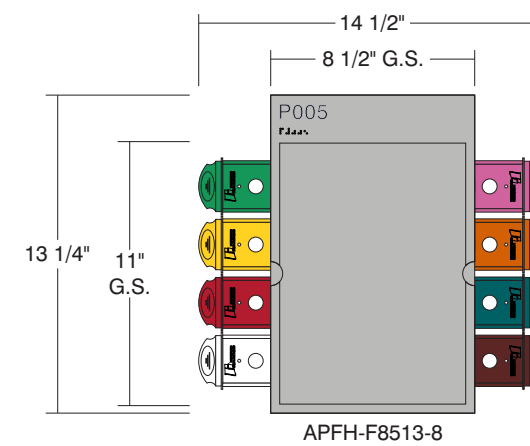
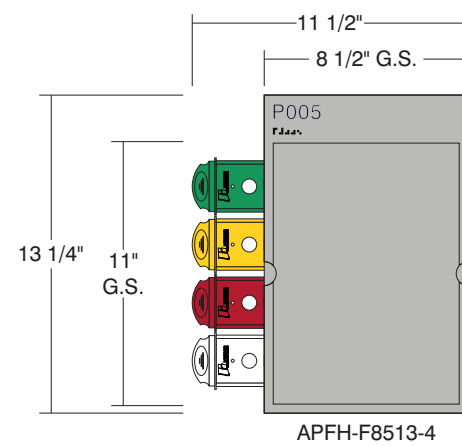
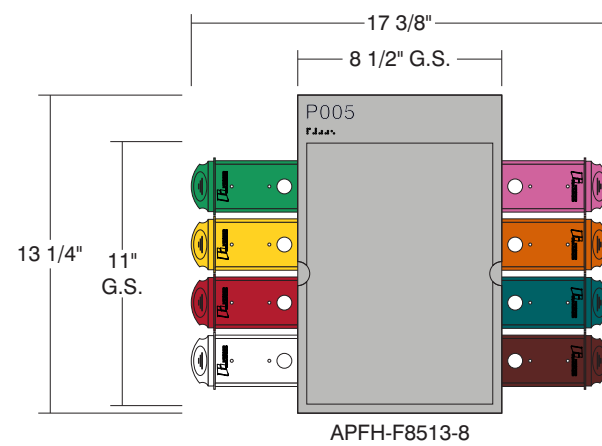
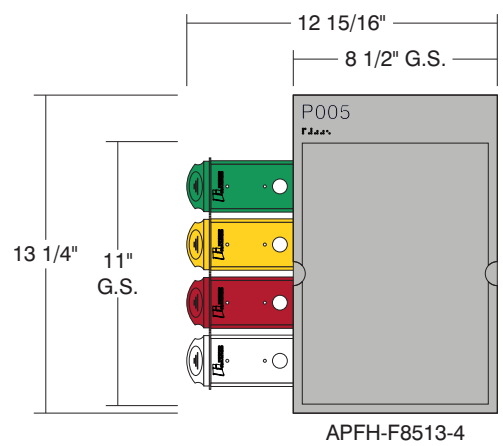
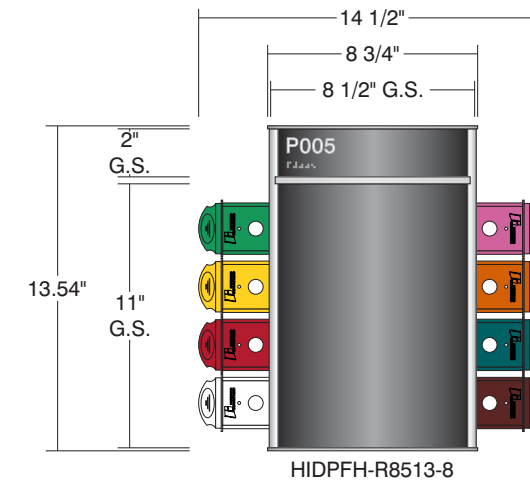
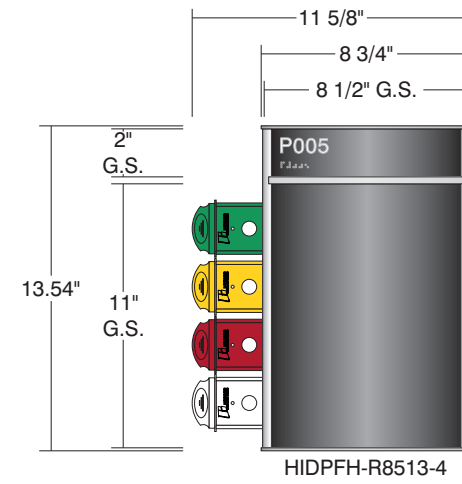
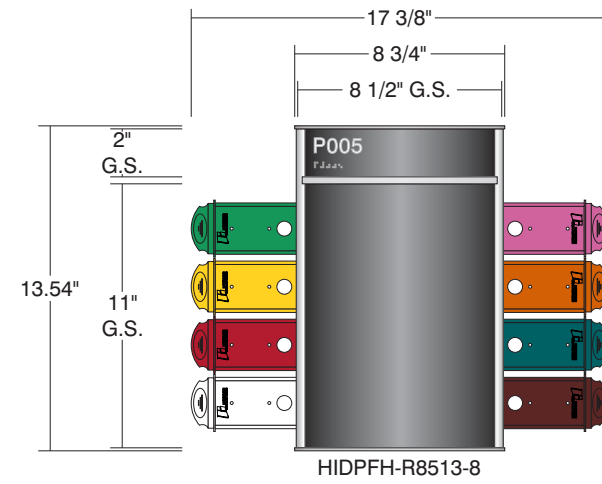
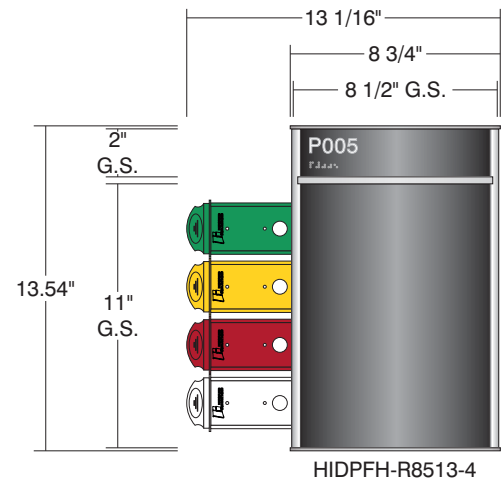
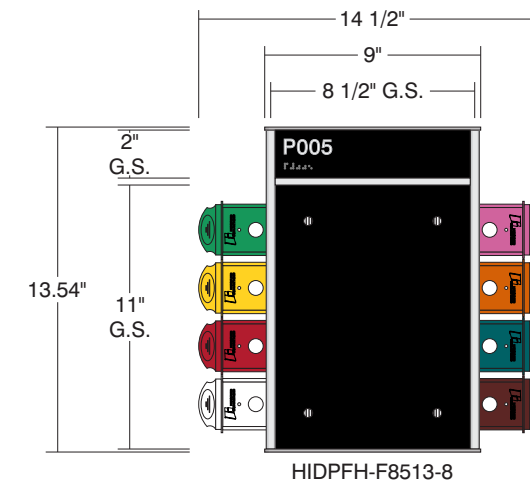
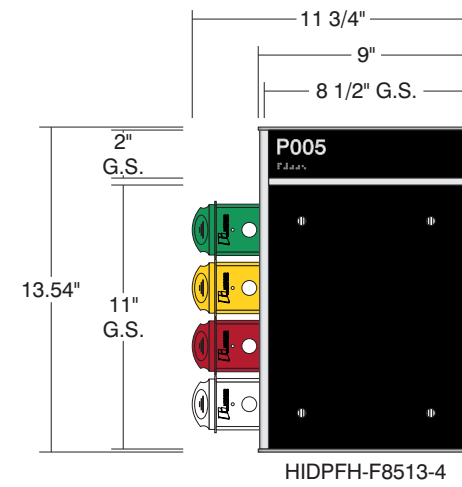
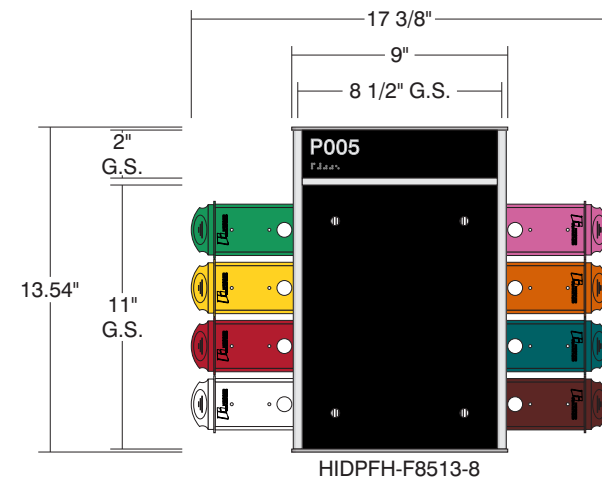
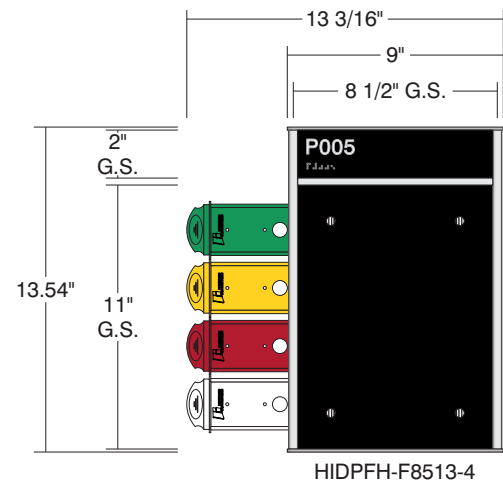




Drawing #	PF Standards
Date	10.8.18
Scale	1 1/2" = 1'
Drawn By	TWG

Approved \_\_\_\_\_





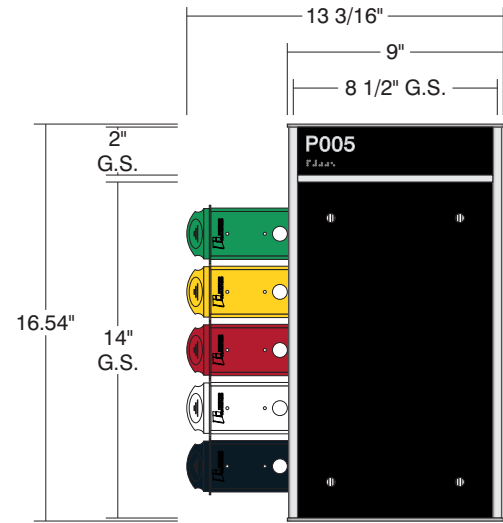
Drawing #	PF Standards
Date	10.8.18
Scale	1 1/2" = 1'
Drawn By	TWG

Approved \_\_\_\_\_

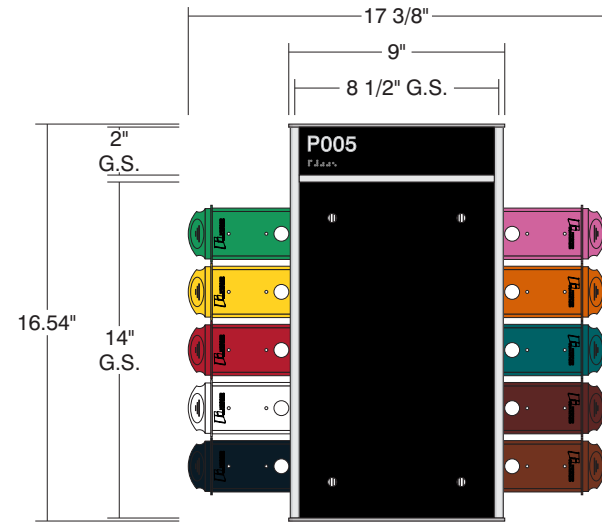


# 14" x 8 1/2" Graphic Size

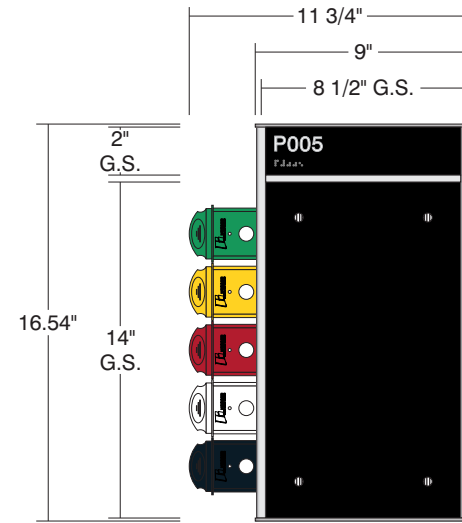
# PF Standards



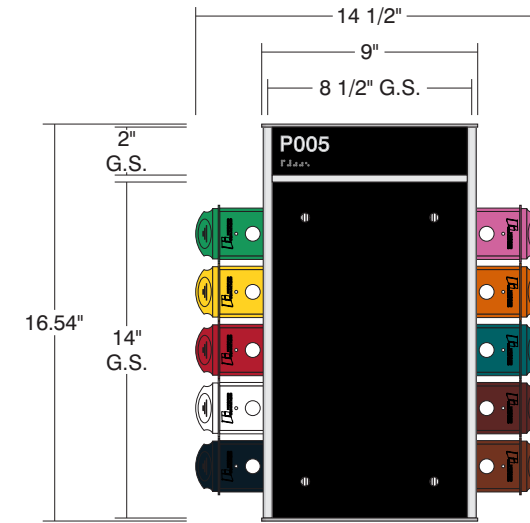
HIDPFH-F8516-5



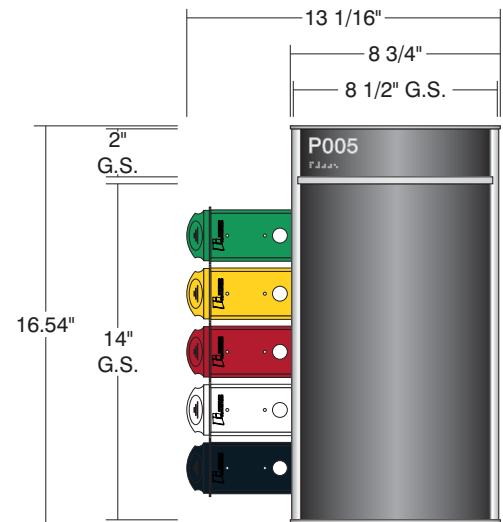
HIDPFH-F8516-10



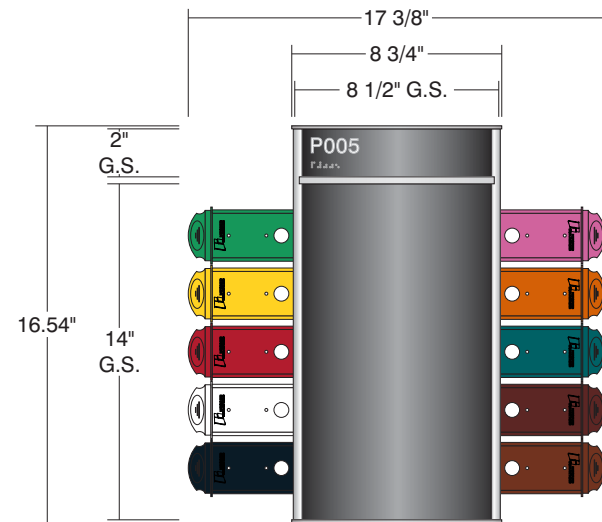
HIDPFH-F8516-5



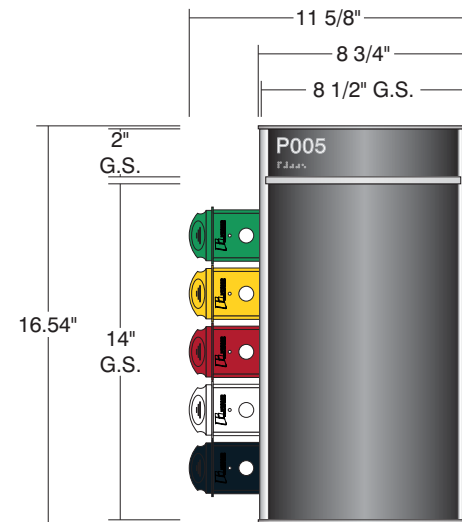
HIDPFH-F8516-10



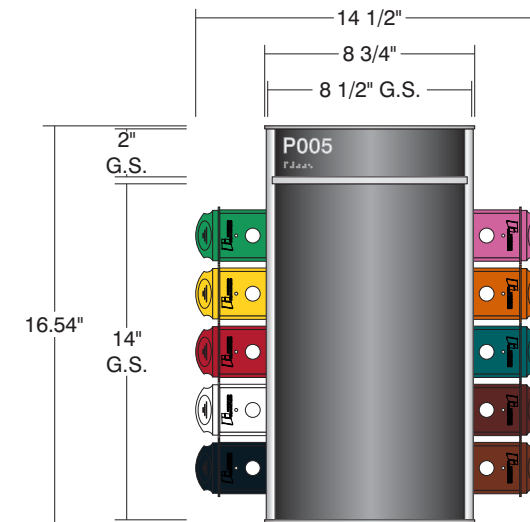
HIDPFH-R8516-5



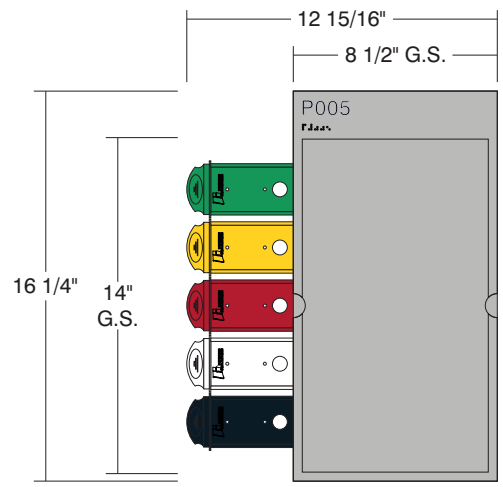
HIDPFH-R8516-10



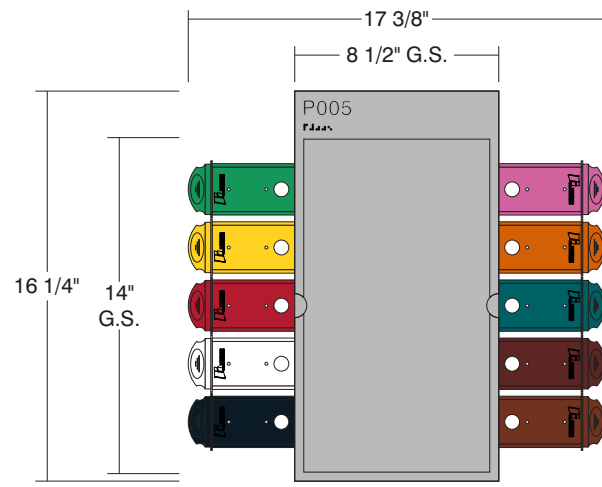
HIDPFH-R8516-5



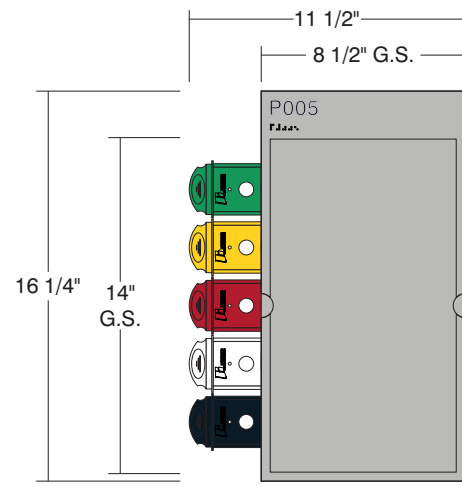
HIDPFH-R8516-10



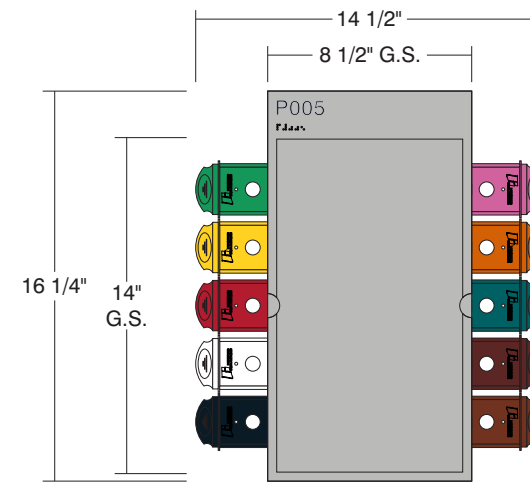
APFH-F8516-5



APFH-F8516-10



APFH-F8516-5



APFH-F8516-10

Drawing #

PF Standards

Date

10.8.18

Scale

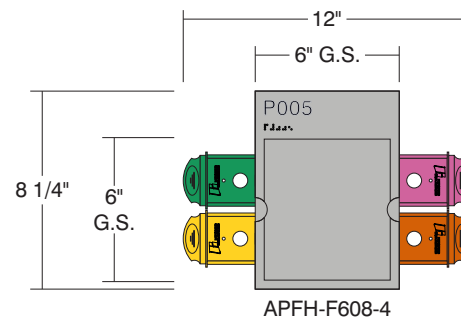
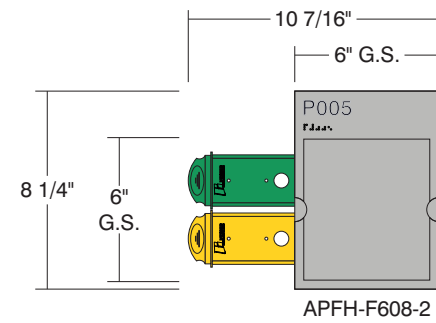
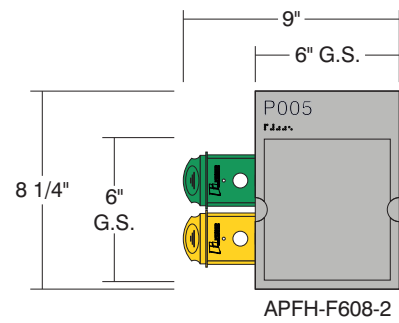
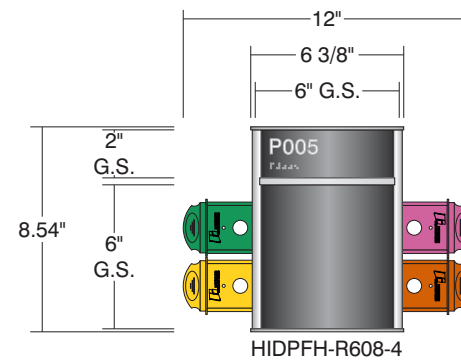
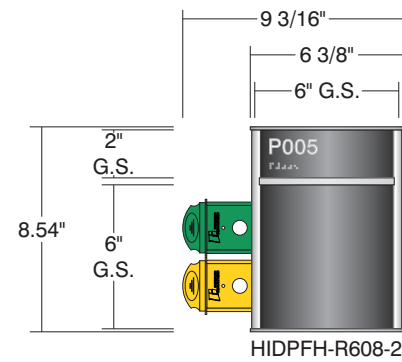
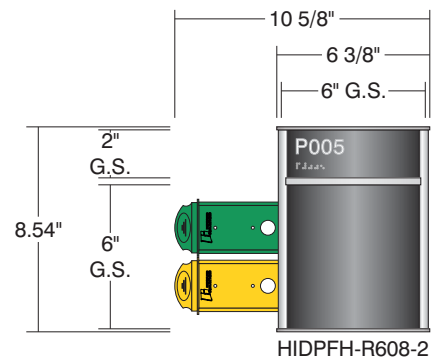
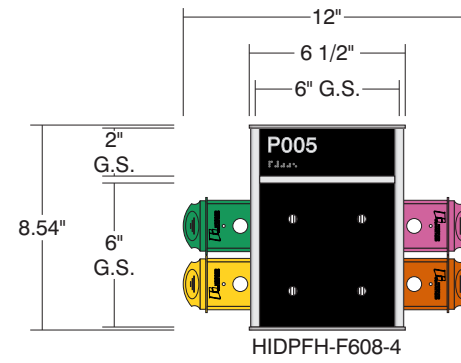
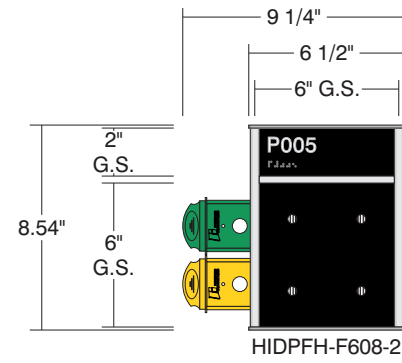
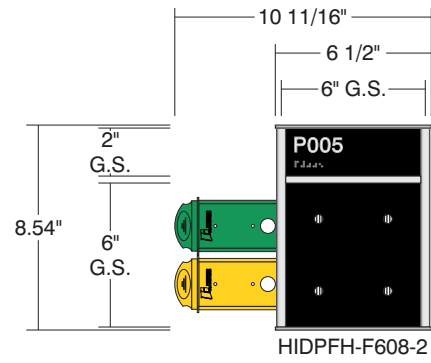
1 1/2" = 1'

Drawn By

TWG

Approved \_\_\_\_\_

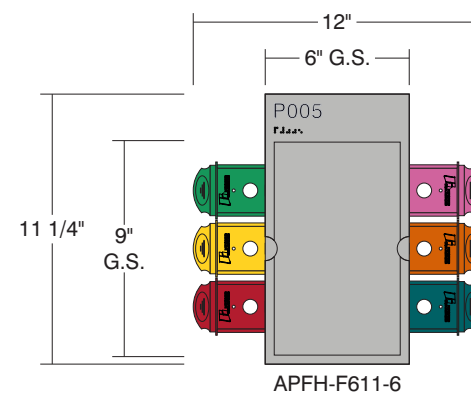
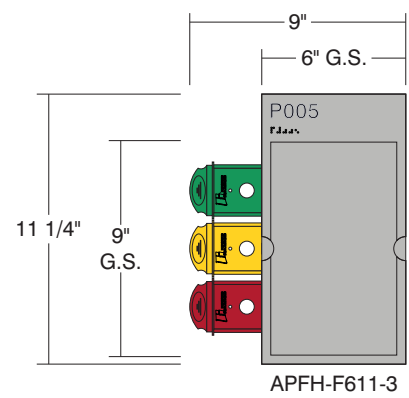
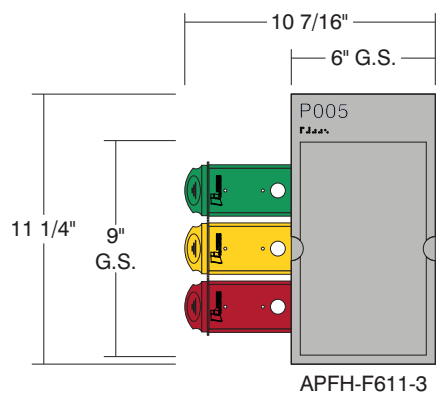
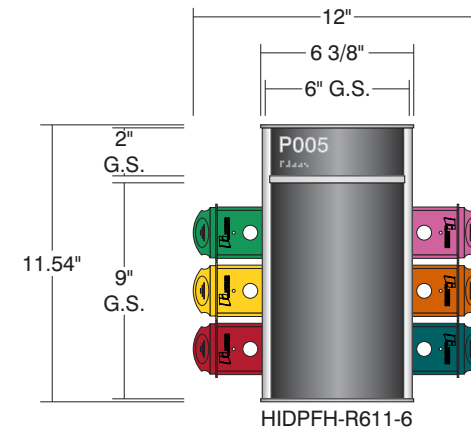
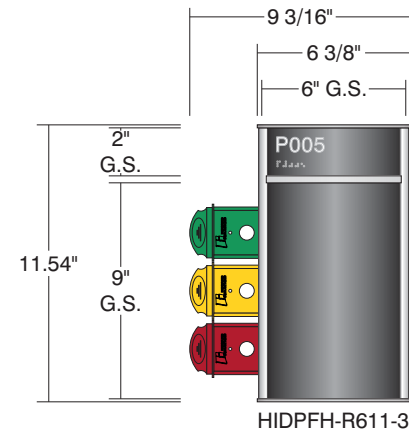
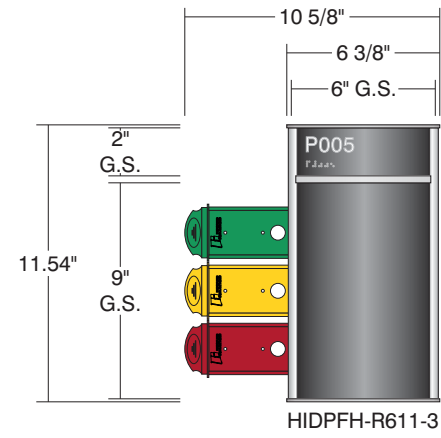
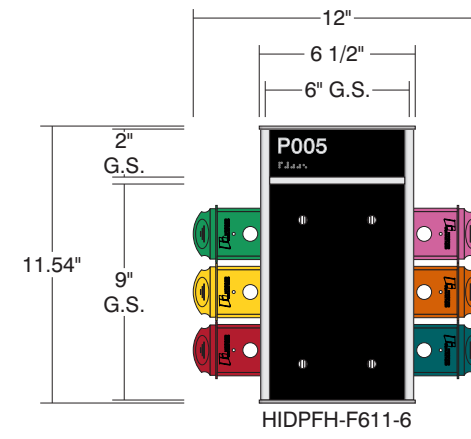
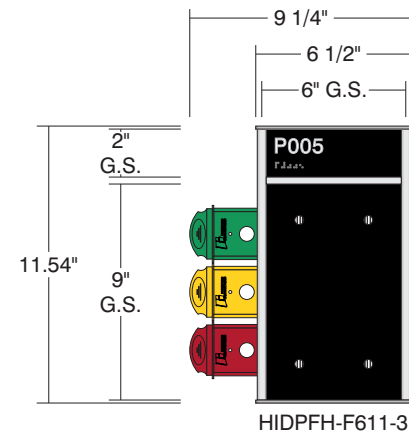
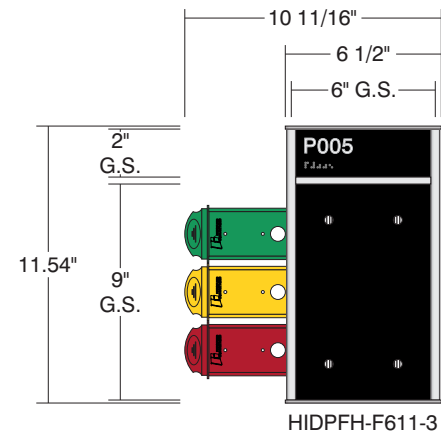




Drawing #	PF Standards
Date	10.8.18
Scale	1 1/2" = 1'
Drawn By	TWG

Approved \_\_\_\_\_

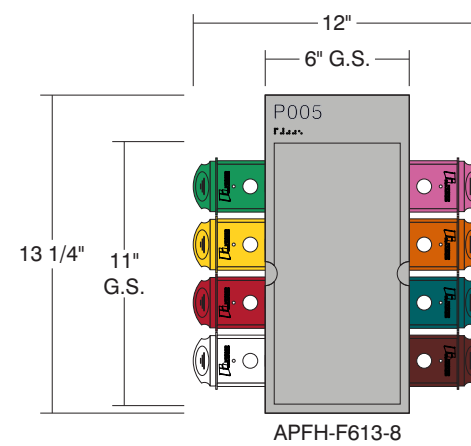
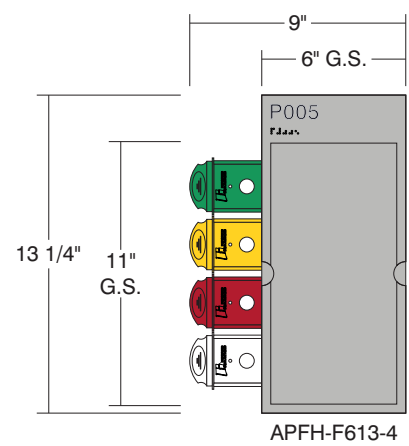
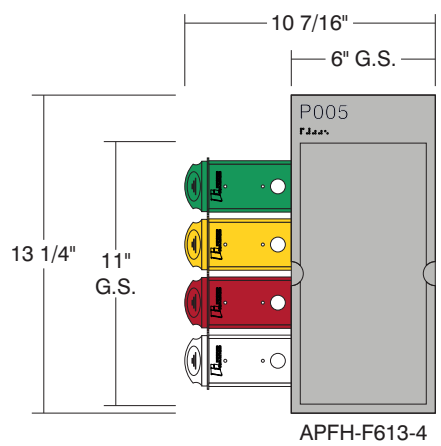
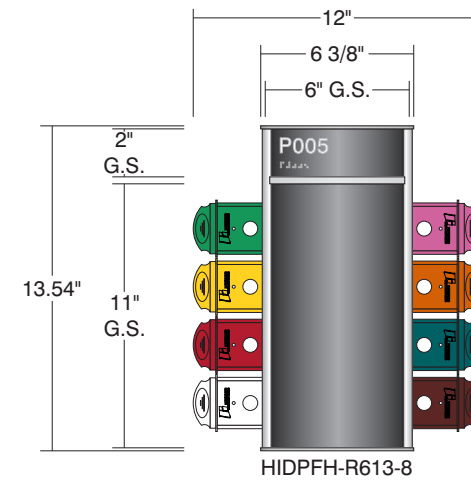
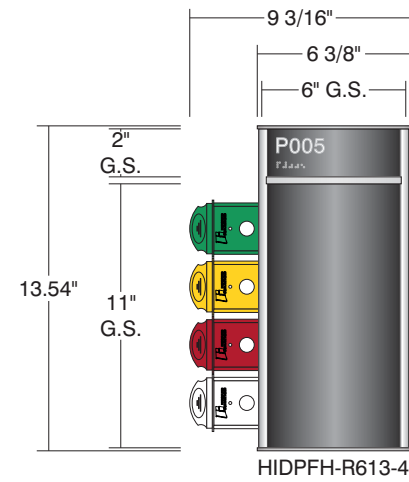
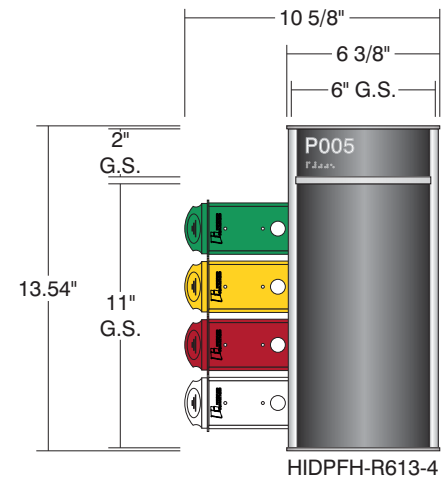
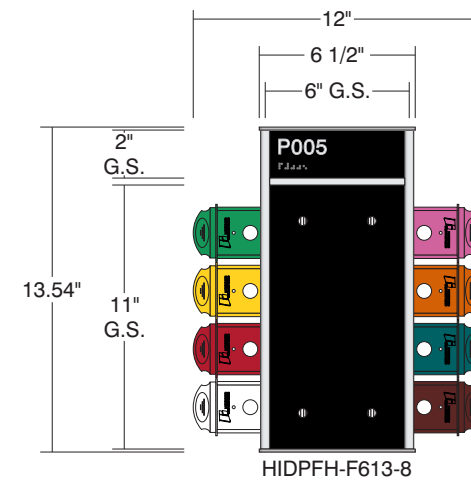
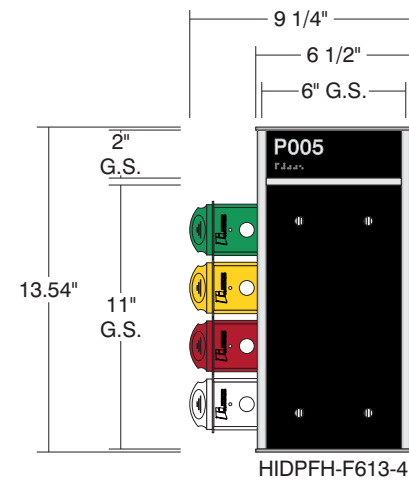
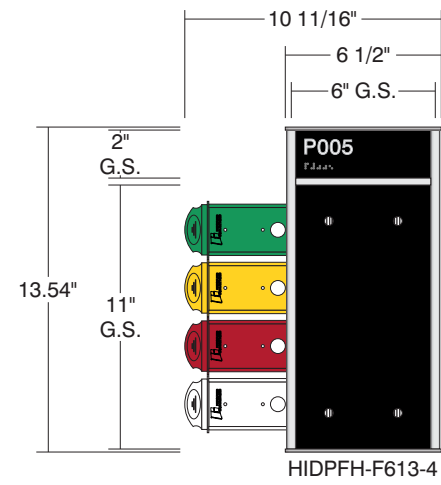




Drawing #	PF Standards
Date	10.8.18
Scale	1 1/2" = 1'
Drawn By	TWG

Approved \_\_\_\_\_





Drawing #

PF Standards

Date

10.8.18

Scale

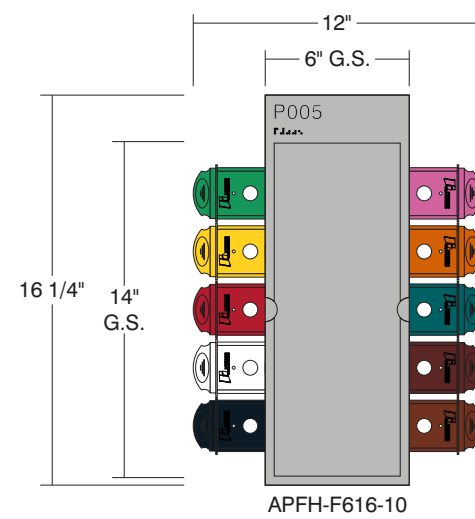
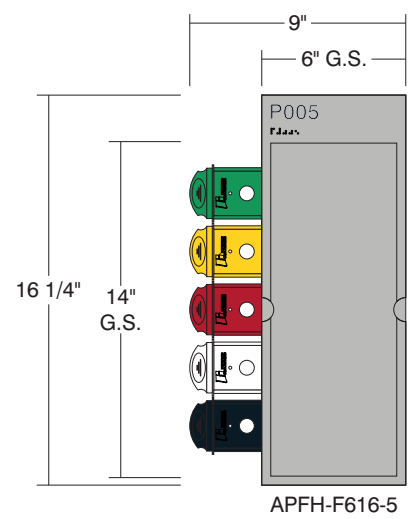
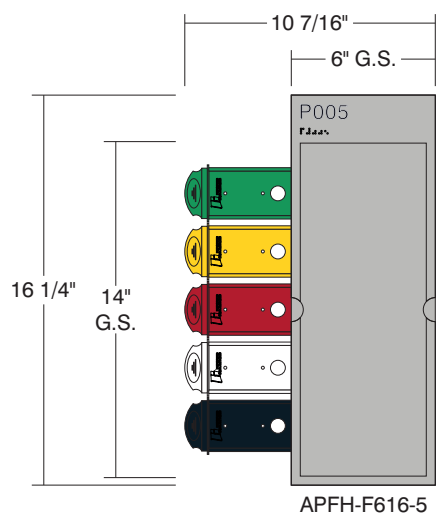
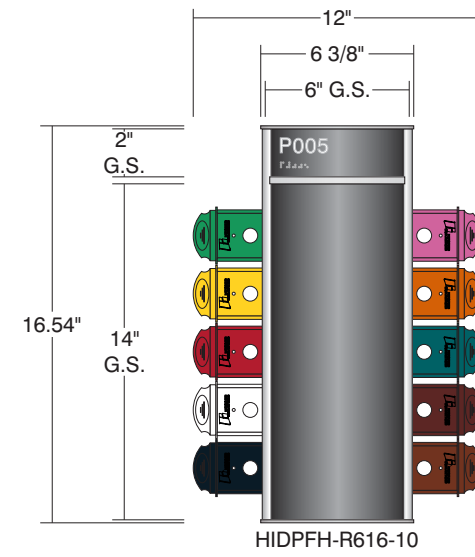
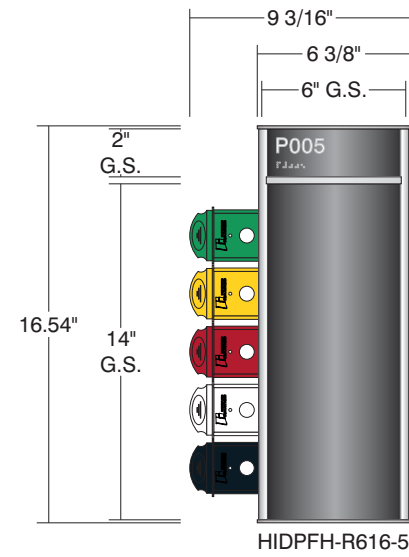
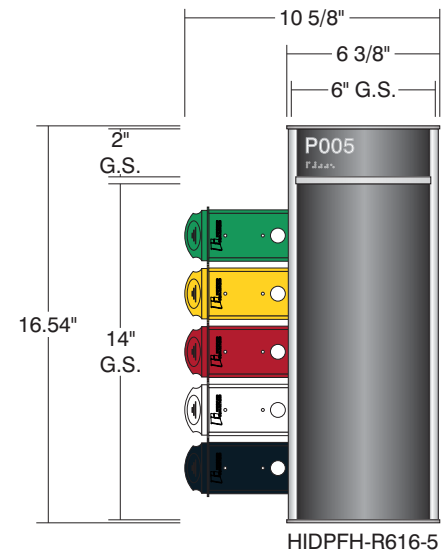
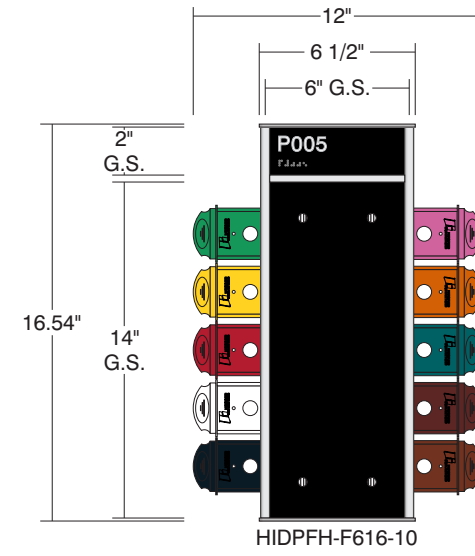
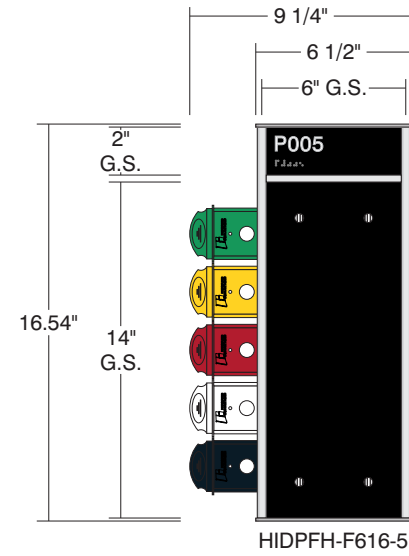
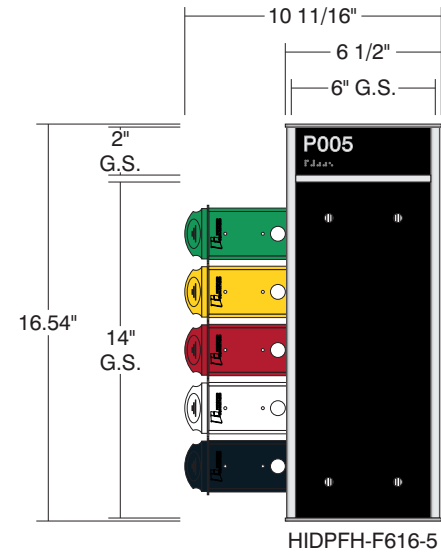
1 1/2" = 1'

Drawn By

TWG

Approved \_\_\_\_\_

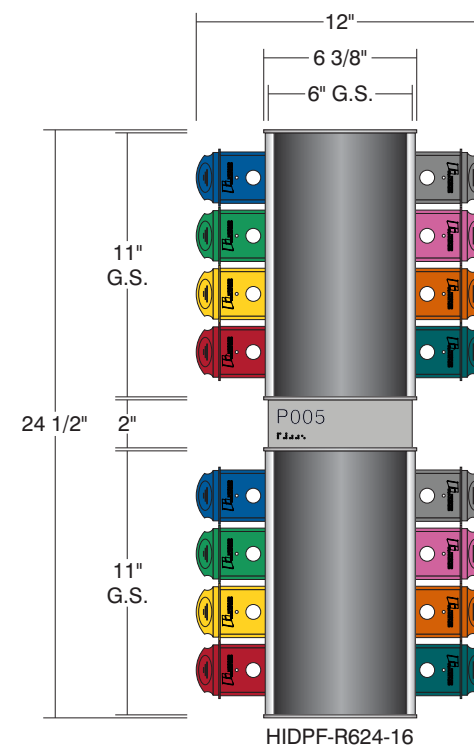
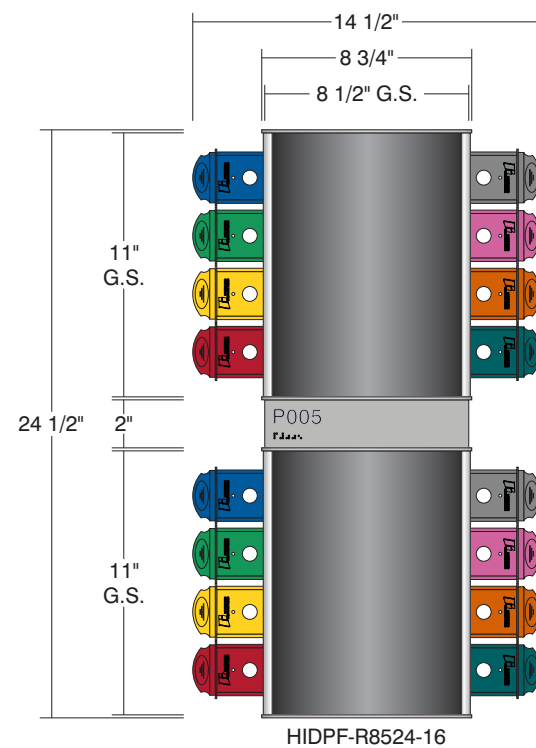
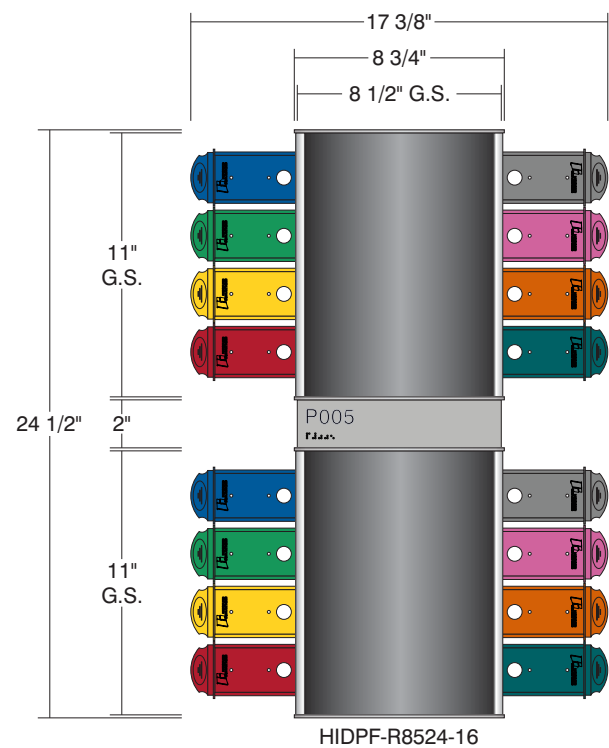
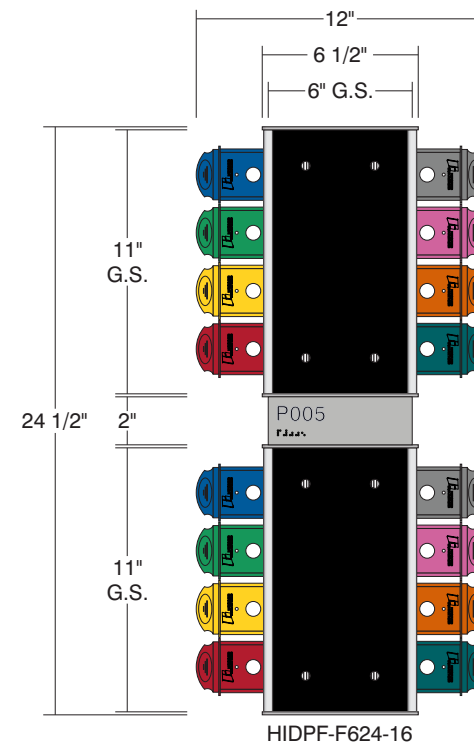
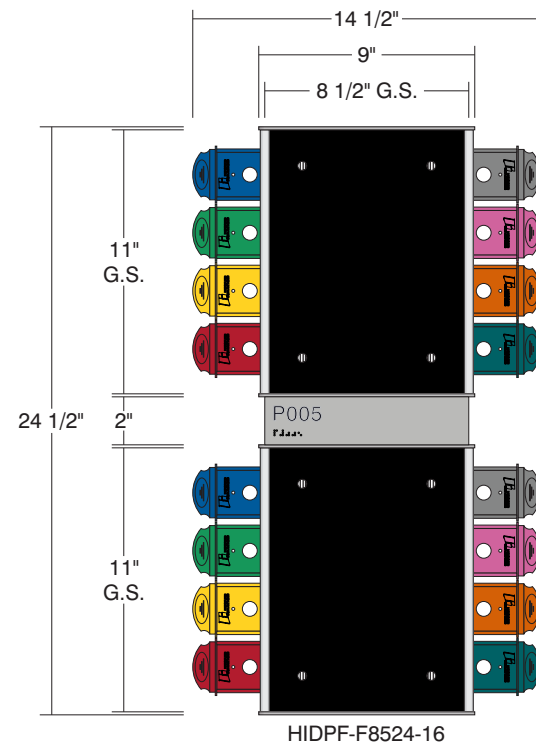
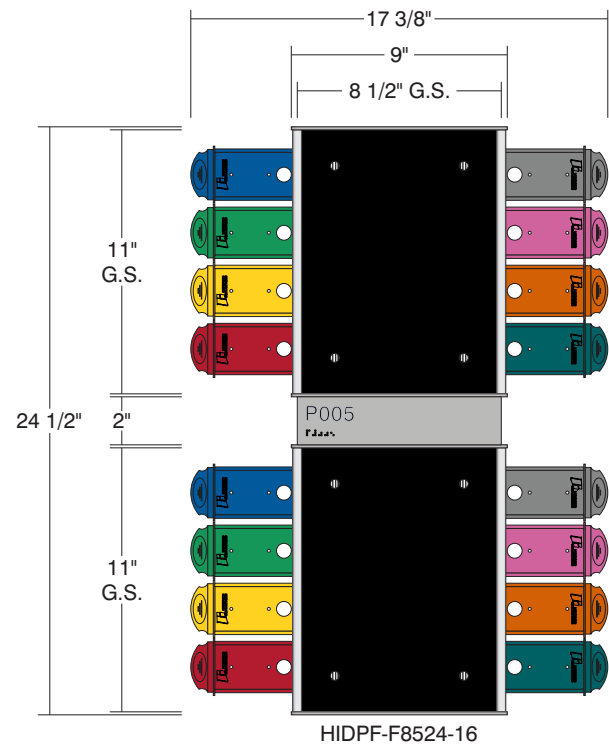




Drawing #	PF Standards
Date	10.8.18
Scale	1 1/2" = 1'
Drawn By	TWG

Approved \_\_\_\_\_

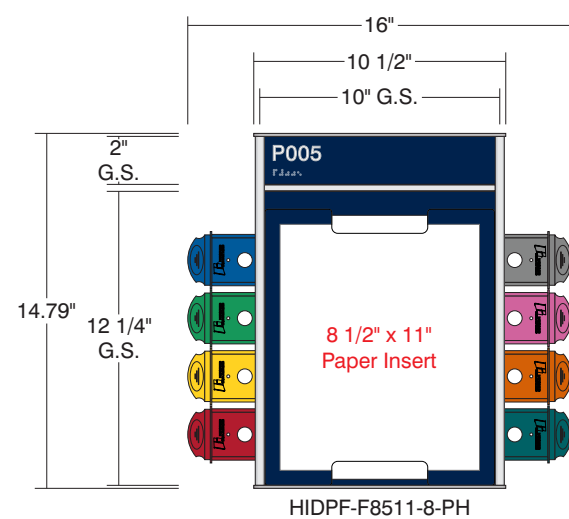
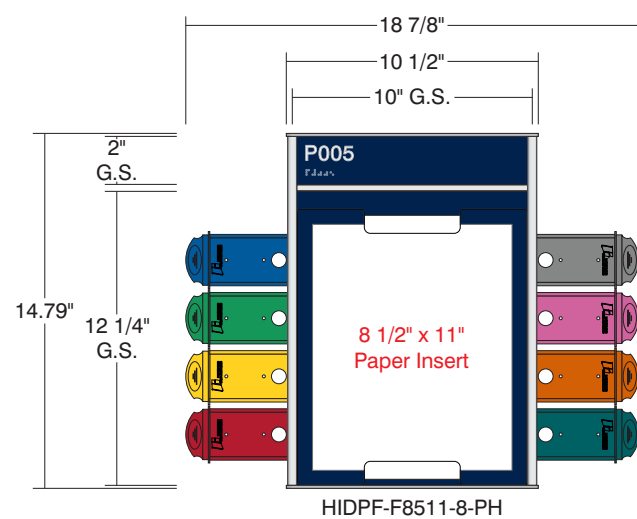
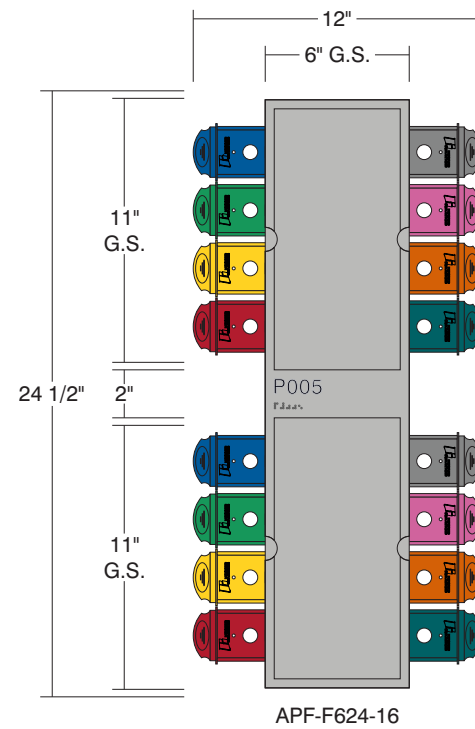
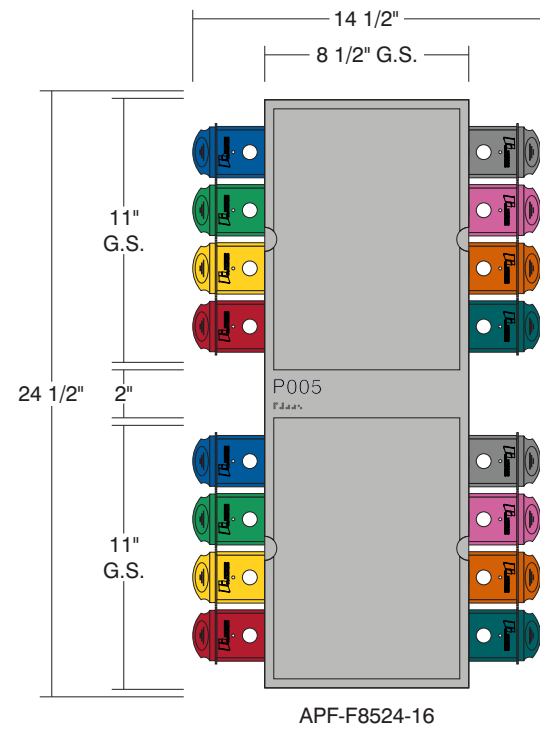
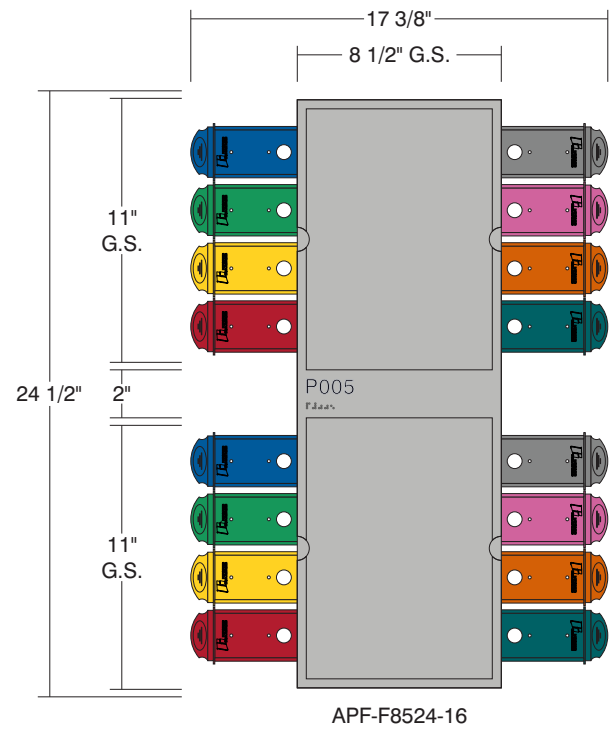




Drawing #	PF Standards
Date	10.8.18
Scale	1 1/2" = 1'
Drawn By	TWG

Approved \_\_\_\_\_





Drawing #	PF Standards
Date	10.8.18
Scale	1 1/2" = 1'
Drawn By	TWG

Approved \_\_\_\_\_

