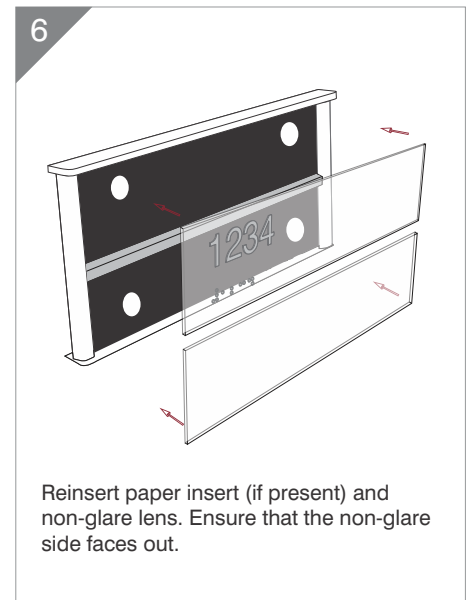
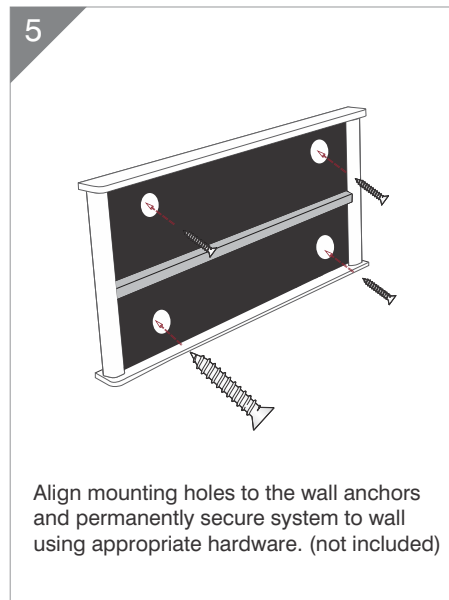
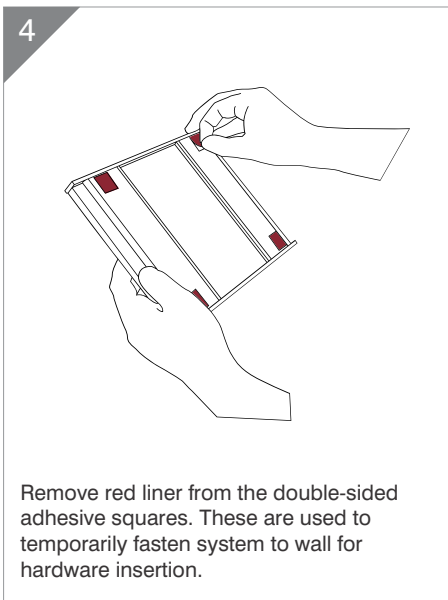
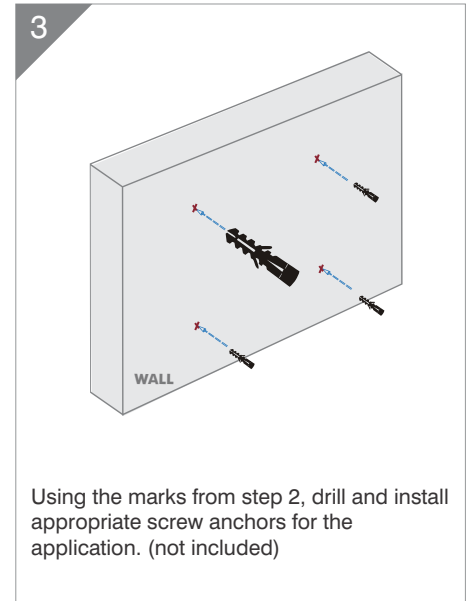
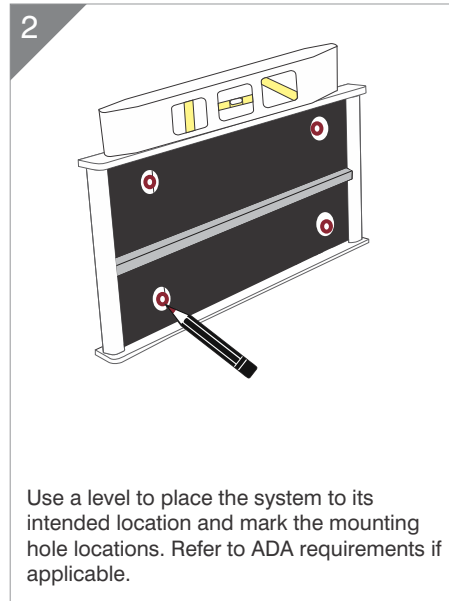
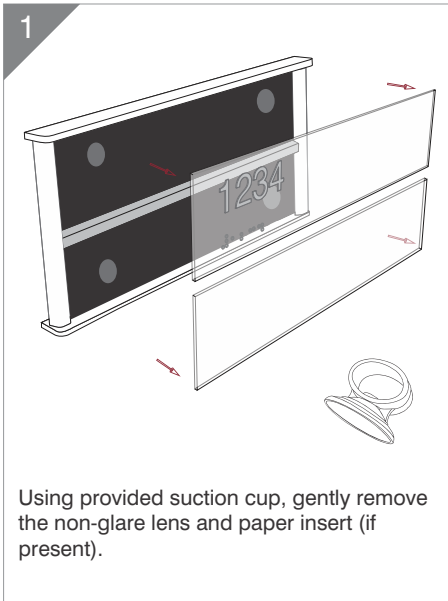


HID Wall Mount w/Divider

INSTALLATION INSTRUCTIONS



IMPORTANT!

- **DO NOT REMOVE** the end caps at any point during installation, or when making insert/lens changes.
- If you choose to install without using mechanical fasteners, it is required that you use **SILICONE ADHESIVE** along with the provided adhesive squares.

For more product information, installation tips, and quality signage merchandise, go to

Typical Back of Sign
WITH THE PROVIDED TAPE



**ALSO USE
AN ADHESIVE SILICONE**