

• Sign System: Perma-Banner (Wall Mount)

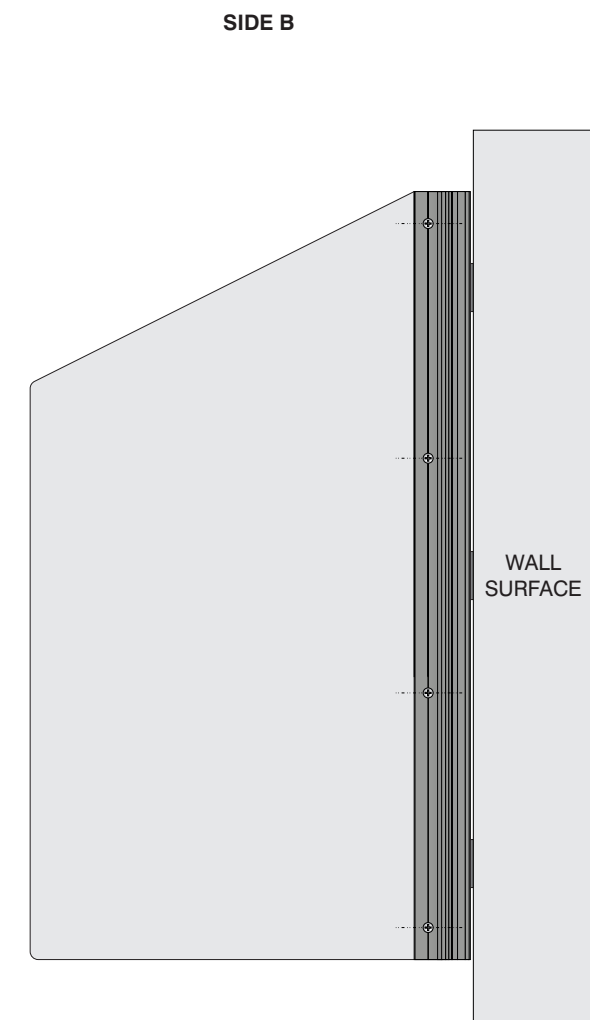
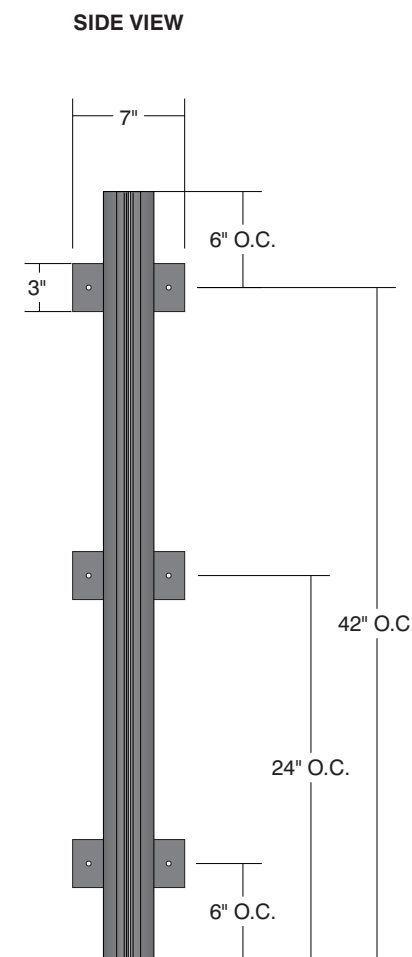
- .125" Aluminum Panel: (H) 48" x (L) 26 1/4"
- (4) 1/2" Safety Radius Corners

• No Paint:

- Mill Finish - Panel
- Dove Grey - Mounting Extrusion

• Perma Banner Bracket Extrusion (L) 48"

- (3) 3" x 7" Evenly Distributed Aluminum Mounting Strips
 - (2) Located 6" O.C. in From Extrusions Ends
- (4) .391" Dia. Evenly Distributed Pre-Drilled Thru Holes
 - (2) 2" On Center in From Panel Ends



Date	DWG# Perma-Banner_Angled_WallMount	Scale:	1"=1'	Customer	Mounting SF/DF	Wall Mounted Double Face	Quote #
XX.XX.XX				Location	Illuminated	NO	Sales Rep.
Quantity				System	Voltage	UL Amp N/A	Illustrator:
1				Perma-Banner (48" x 24") Angled Wall Mount Sign System	ADA	No Rev. 0	Reviewed By:
Page					*Due to the ADA/ANSI's wide interpretation and other factors that may exist, we cannot affirm compliance in all situations and is hereby removed from responsibility regarding these issues.		
1 of 1							



• 6400 Howard Drive, Fairview PA 16415 • Toll Free 800.458.0591 •
 • PA 814.833.7000 • Fax 814.838.0011 •
 www.howardindustries.com

All concepts and designs represented by this drawing are the property of Howard Industries and may not be reproduced or used in any manner without written consent. ©Copyright 2020 Howard Industries.