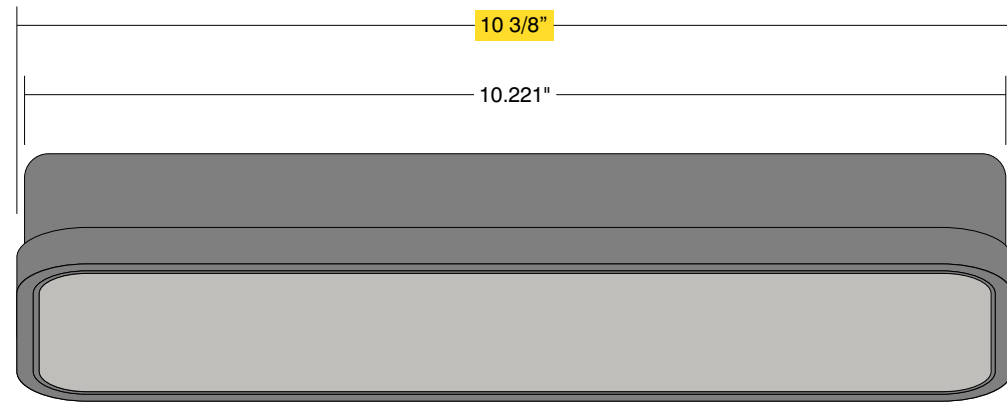
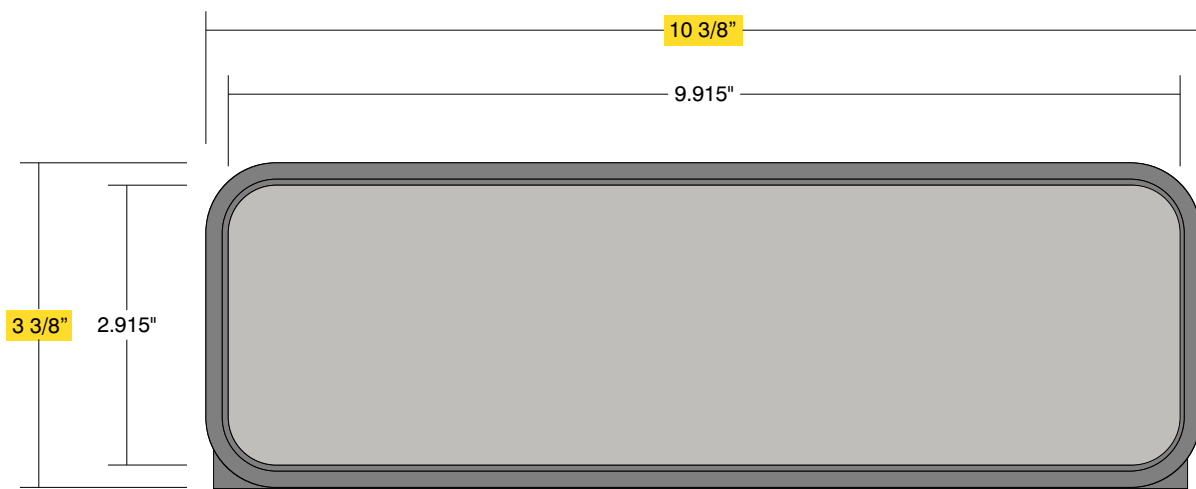


Part ID	QTY	Material/Color/Finish		H x W (in)
• Frame	1	HIP-(XXXXXXX)- Grey, Radius	.50	3.375 x 10.375
• Panel	1	Pearl Grey (321-306)	.0625	2.915 x 9.915
• Panel Mounting	2	Pop Locks		.75 x .75
• Frame Mounting (to Back Panel)	1	Grey Acrylic Spacer w/Adhesive	.25	
• Back Panel	1	Grey Acrylic; Heat Bent: 65°, 2" Return	.125	5.3125 x 10.221

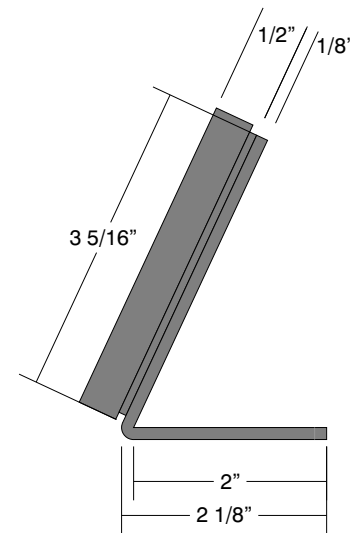
Top View



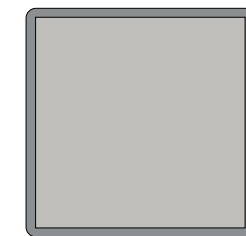
Front View



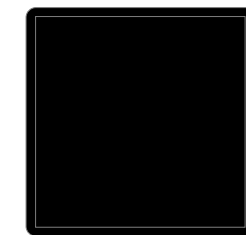
Side View



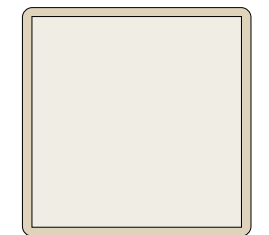
### Standard HIP Color Combinations



**Frame:**  
Grey  
**Panel:**  
Pearl Grey 506



**Frame:**  
Black  
**Panel:**  
Black 401



**Frame:**  
Sand  
**Panel:**  
Ash 214

Other panel colors available.

Date	DWG# XXXXXXXX	Scale:	1" = 2"	Customer	XXXXXX	Mounting	Desk Mount	Quote #	XXXX
XXXX						SF/DF	Single Face	Sales Rep.	XXXX
Quantity				Location		Finish	Satin Finish	Illustrator	XXXX
1								ADA	No
Page				System	HIP-R310 Desk Mount	Illuminated	NO	UL	N/A
1 of 1						Voltage	N/A	Amp	N/A
<p>*Due to the ADA/ ANSI's wide interpretation and other factors that may exist, we cannot affirm compliance in all situations and is hereby removed from responsibility regarding these issues.</p>									