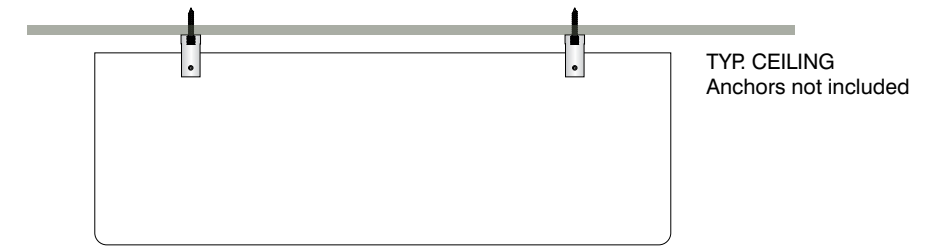


Part ID	QTY	Material/Color/Finish		H x W (in)
• Panel	1	White Opaque (3015) Acrylic	.25	8 x 24
• Mounting	2	PGS250A Anodized Projecting Gripper		.8125 x 1.75
• Mounting Screw	2	HB5/16-100 Combination Screw		1"

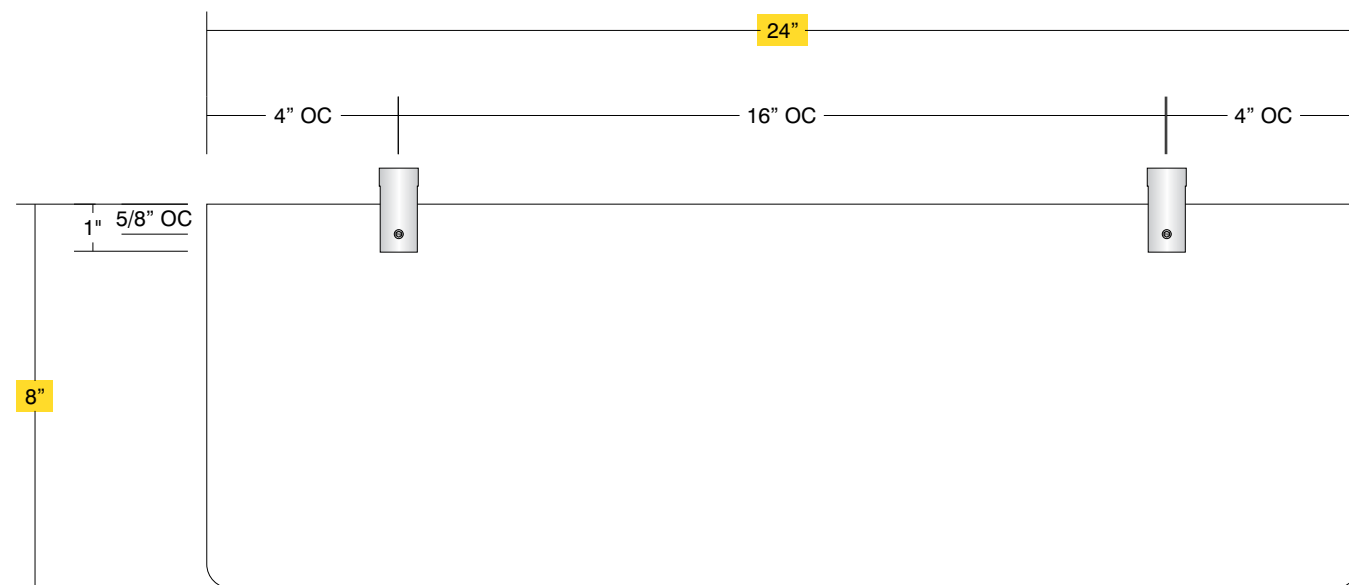
TOP VIEW



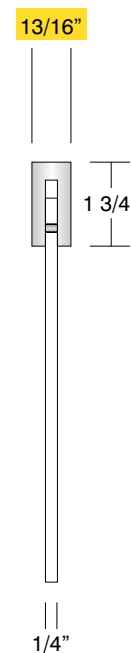
BACK VIEW - SIDE B  
(Scale 1:8)



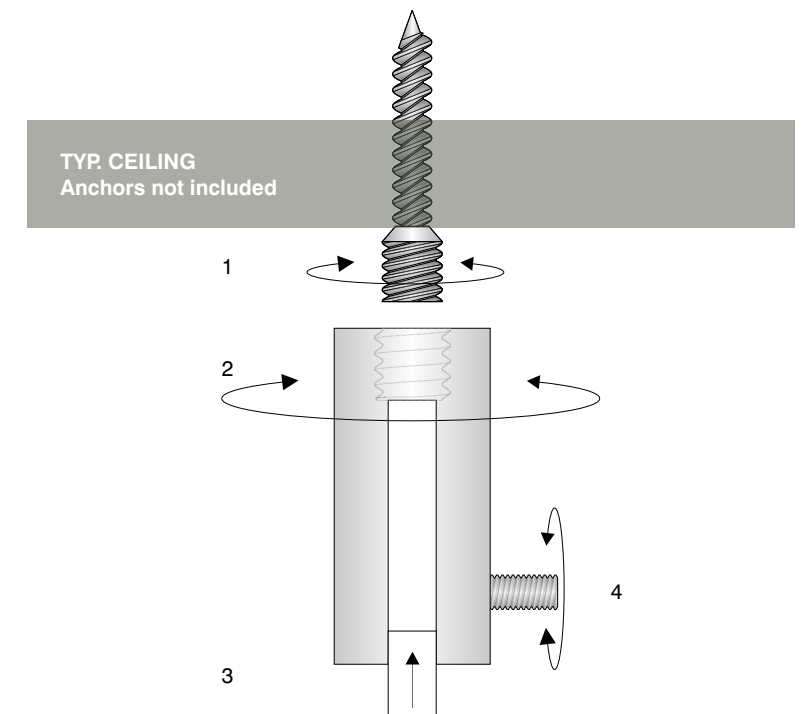
FRONT VIEW - SIDE A



SIDE VIEW



Hardware Detail (Scale 1:1)



Date	DWG#	Acrylic CM Standoff	Scale:	1"=4"	Customer		Mounting	Ceiling Mount	Quote #	
Quantity					Location		SF/DF	Double Face	Sales Rep.	
1					System	Acrylic Ceiling Mount With Standoff Mounting	Illuminated	NO	UL	
Page							Voltage	N/A	Amp	N/A
1 of 1							ADA	No	Rev. 0	
							*Due to the ADA/ ANSI's wide interpretation and other factors that may exist, we cannot affirm compliance in all situations and is hereby removed from responsibility regarding these issues.			Reviewed By: