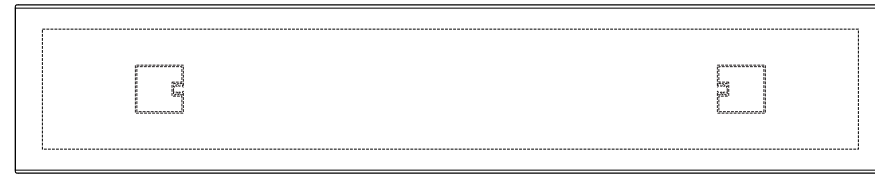
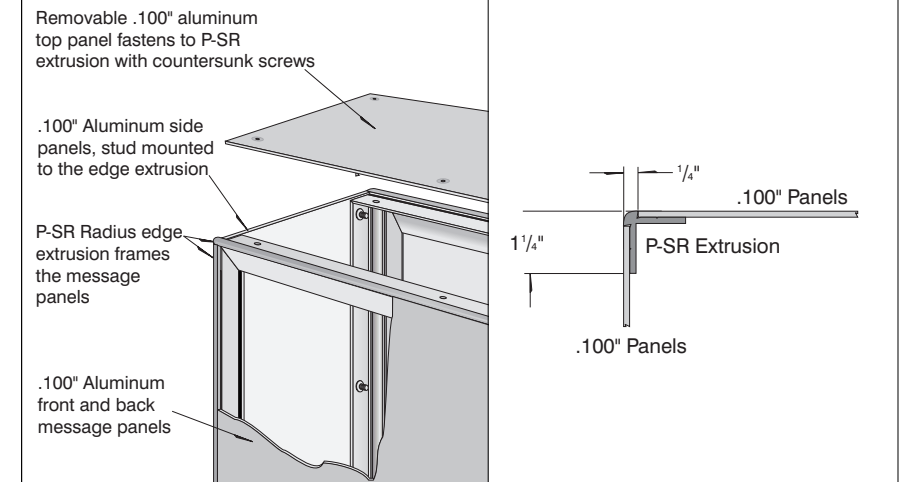


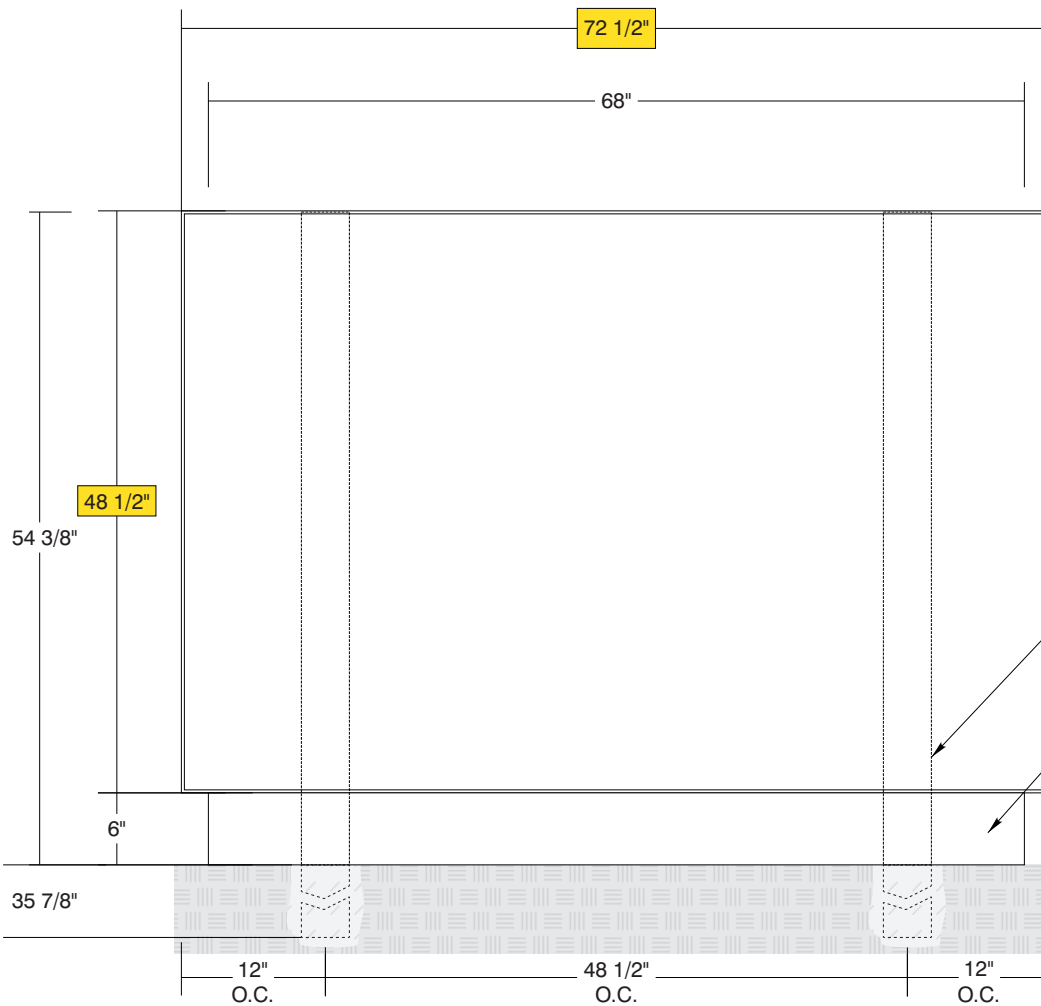
TOP VIEW



HED P-20SR DETAIL



SIDE A



• **Sign System: P-20SR Pylon**

- (2) .100" Aluminum Face Panels: (H) 48" x (L) 72"
- (2) .100" Aluminum Side Panels: (H) 48.4" x (L) 13 1/2"
- (1) .100" Aluminum Top Panel: (H) 13 1/2" x (L) 72 1/2"
- (1) .100" Aluminum Bottom Panel: (H) 13 1/2" x (L) 72.3"

• **Paint:**

- Standard White - Frame, Panels, Base Skirt

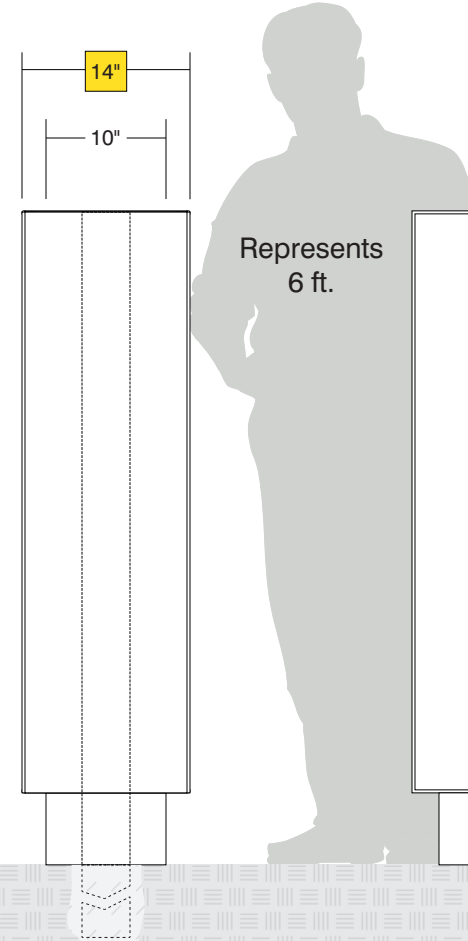
• **Double Internal Post Mount**

- (2) Posts Size: 4" x 4" x (L) 90"

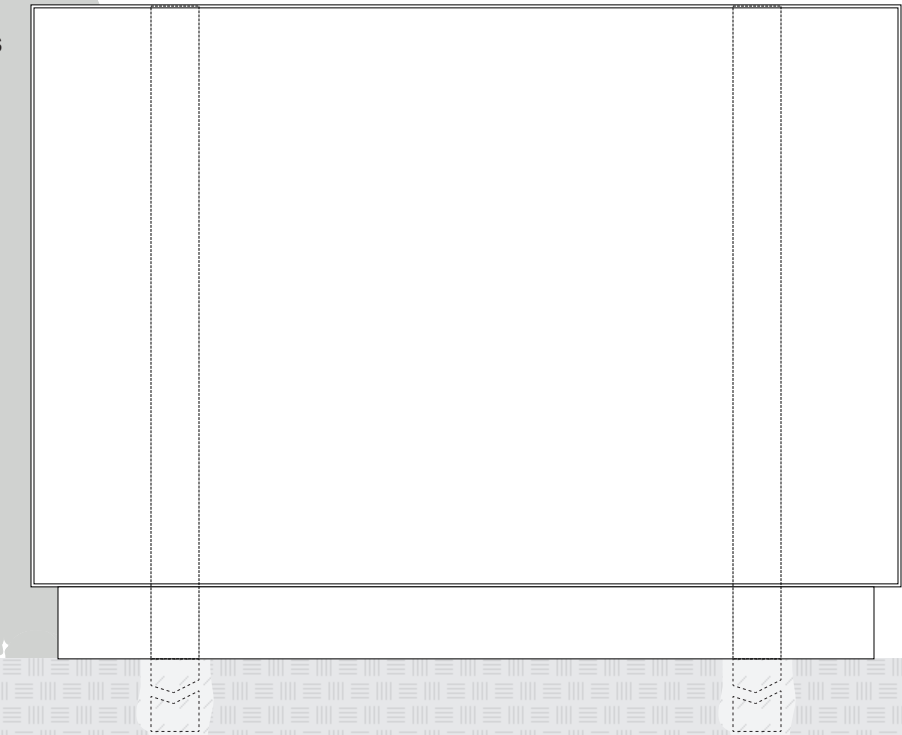
• **Removable Base Skirt**

- .080" Aluminum (H) 6" x (L) 68" x (D) 10"

SIDE VIEW



SIDE B



Date	DWG# HED_P-20SR	Scale: 3/4"=1'	Customer	Mounting SF/DF	Double Internal Post Mount Double Face		Quote #
XX.XX.XX			Location	Illuminated	NO	UL	Sales Rep.
Quantity			System	Voltage	N/A	Amp N/A	Illustrator:
1			HED P-20SR (48" x 72") Pylon Sign System	ADA	No	Rev. 0	Reviewed By:
Page				*Due to the ADA/ANSI's wide interpretation and other factors that may exist, we cannot affirm compliance in all situations and is hereby removed from responsibility regarding these issues.			
1 of 1							



• 6400 Howard Drive, Fairview PA 16415 • Toll Free 800.458.0591 •
 • PA 814.833.7000 • Fax 814.838.0011 •
 www.howardindustries.com

All concepts and designs represented by this drawing are the property of Howard Industries and may not be reproduced or used in any manner without written consent. ©Copyright 2020 Howard Industries.