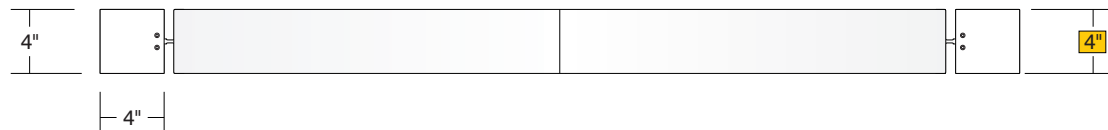
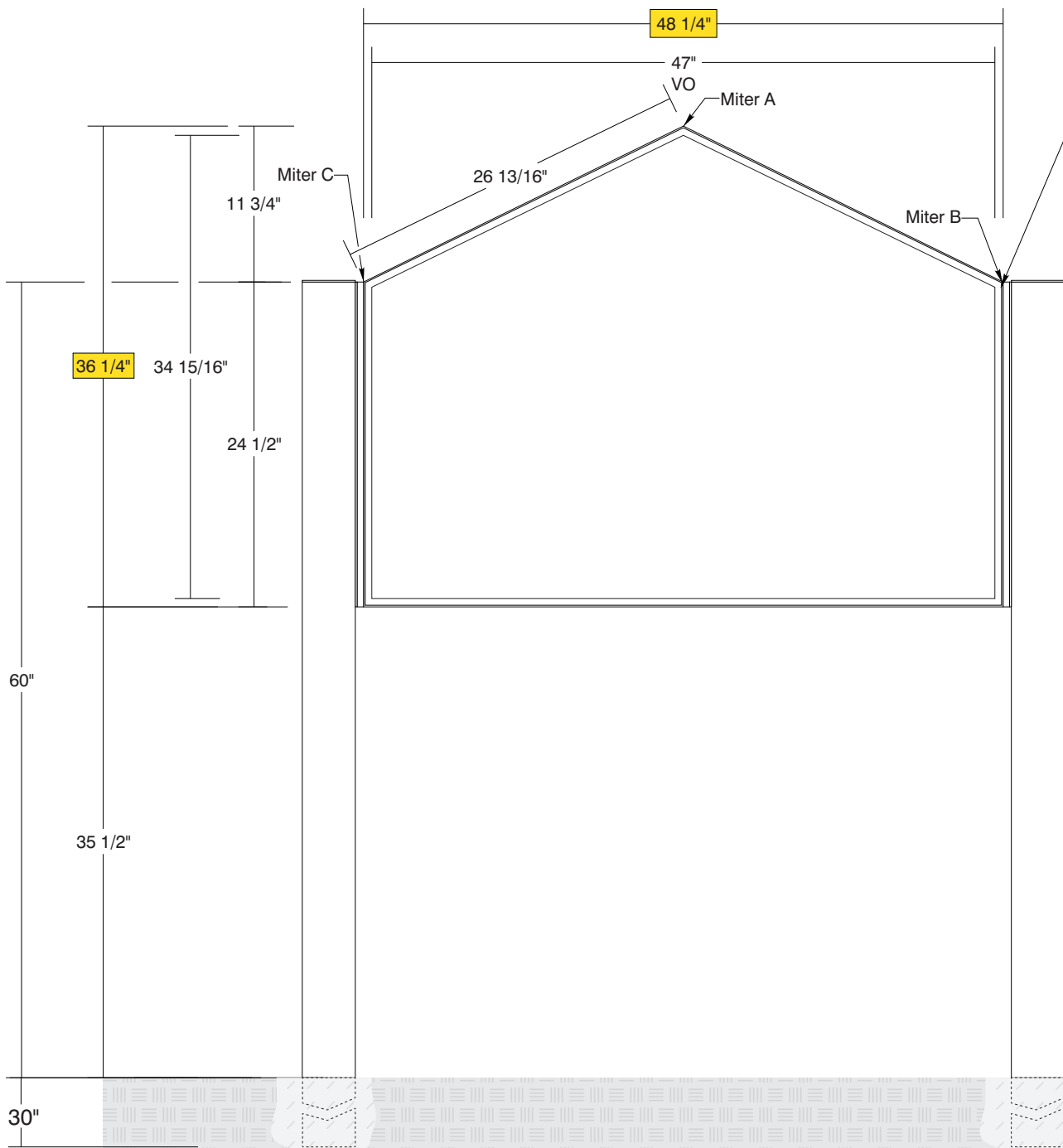


TOP VIEW



SIDE A



• Sign System: HED-400 SF Peak Top

- Miter A: 26.1°
- Miter B & C: 32°
- (2) .050" Aluminum Panel: (H) 36" x (L) 48"

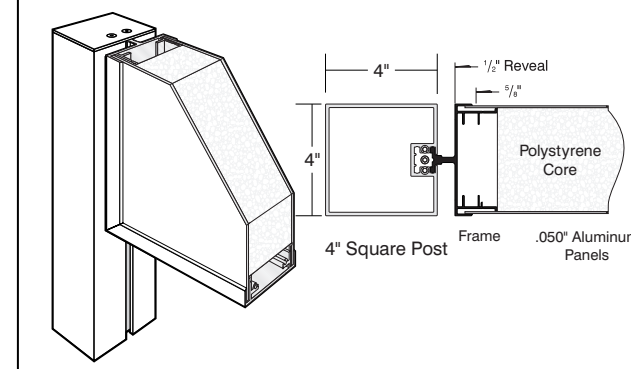
• Paint:

- Standard White - Frame, Panels, Posts, Caps

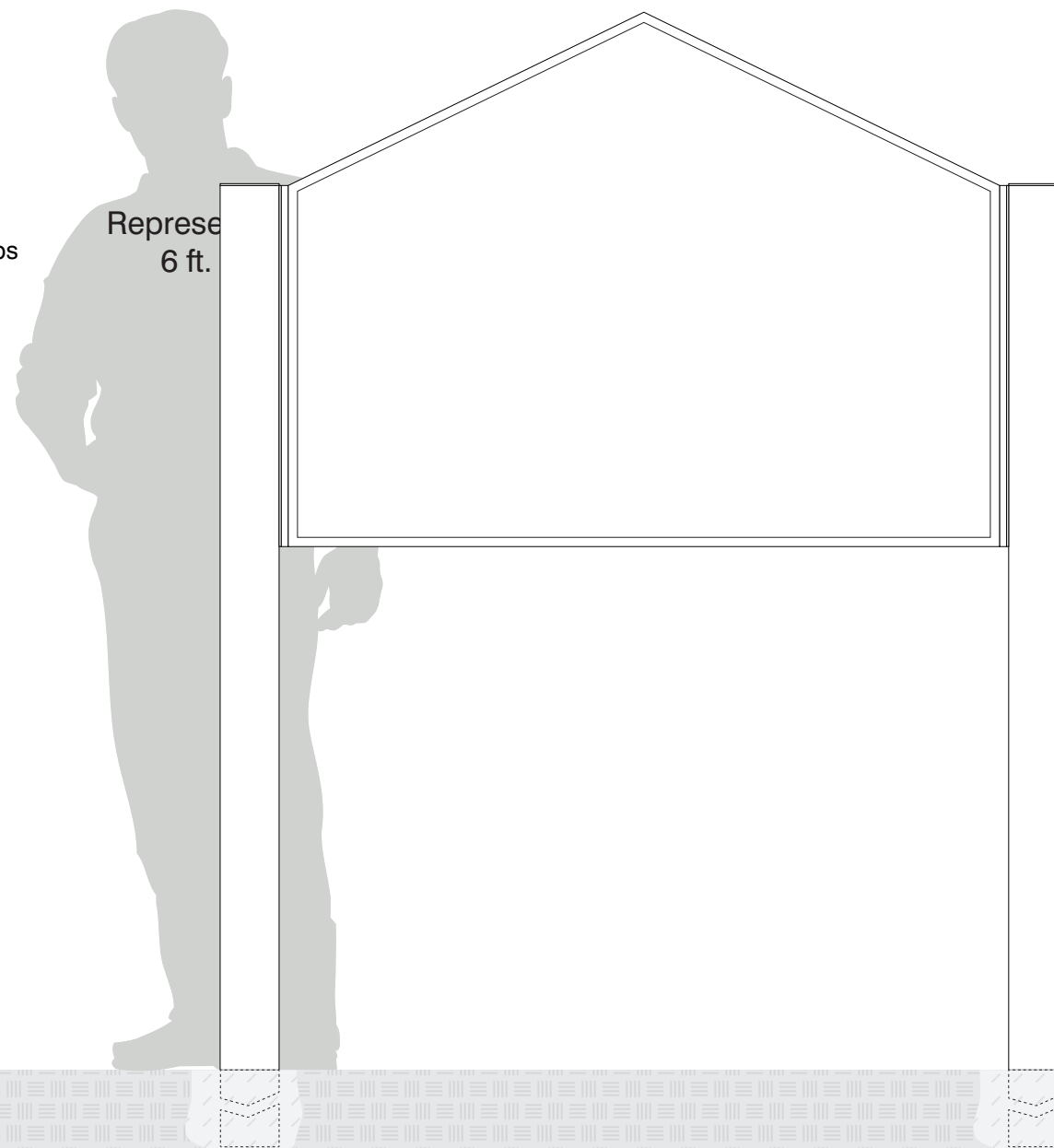
• Double Post Mount

- (2) Posts Size: 4" x 4" x (L) 90" with Caps

HED-400 Detail



SIDE B



| | | | | | | |
|----------|-------------------------|--------------|---|----------------|-------------------------------|--------------|
| Date | DWG# HED-400_SF_PeakTop | Scale: 1"=1' | Customer | Mounting SF/DF | Double Post Mount Double Face | Quote # |
| XX.XX.XX | | | | NO | UL | Sales Rep. |
| Quantity | | | Location | N/A | Amp | Illustrator: |
| 1 | | | | N/A | N/A | Reviewed By: |
| Page | | | System | ADA | No | |
| 1 of 1 | | | HED-400 (36"x 48") Standard Face Peak Top Sign System | Rev. 0 | | |



• 6400 Howard Drive, Fairview PA 16415 • Toll Free 800.458.0591 •
 • PA 814.833.7000 • Fax 814.838.0011 •
 www.howardindustries.com

All concepts and designs represented by this drawing are the property of Howard Industries and may not be reproduced or used in any manner without written consent. ©Copyright 2020 Howard Industries.

*Due to the ADA/ ANSI's wide interpretation and other factors that may exist, we cannot affirm compliance in all situations and is hereby removed from responsibility regarding these issues.