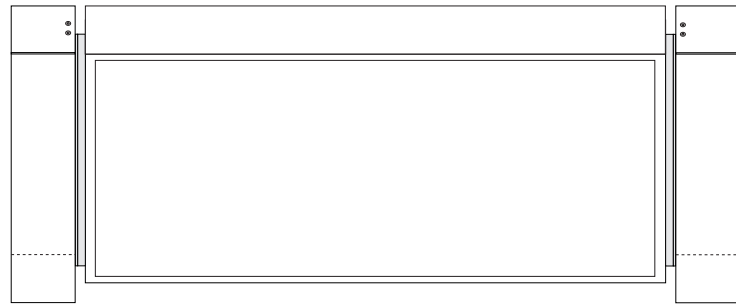
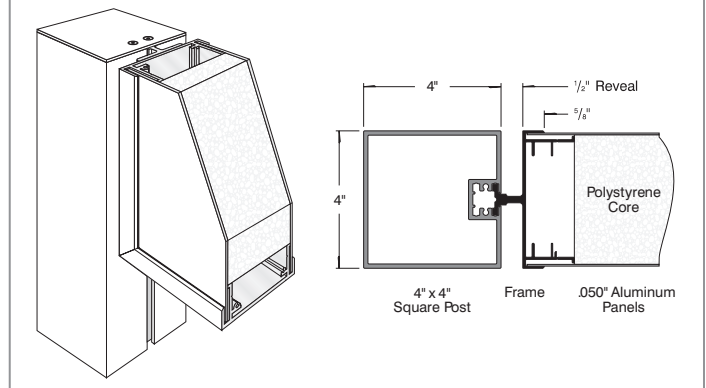


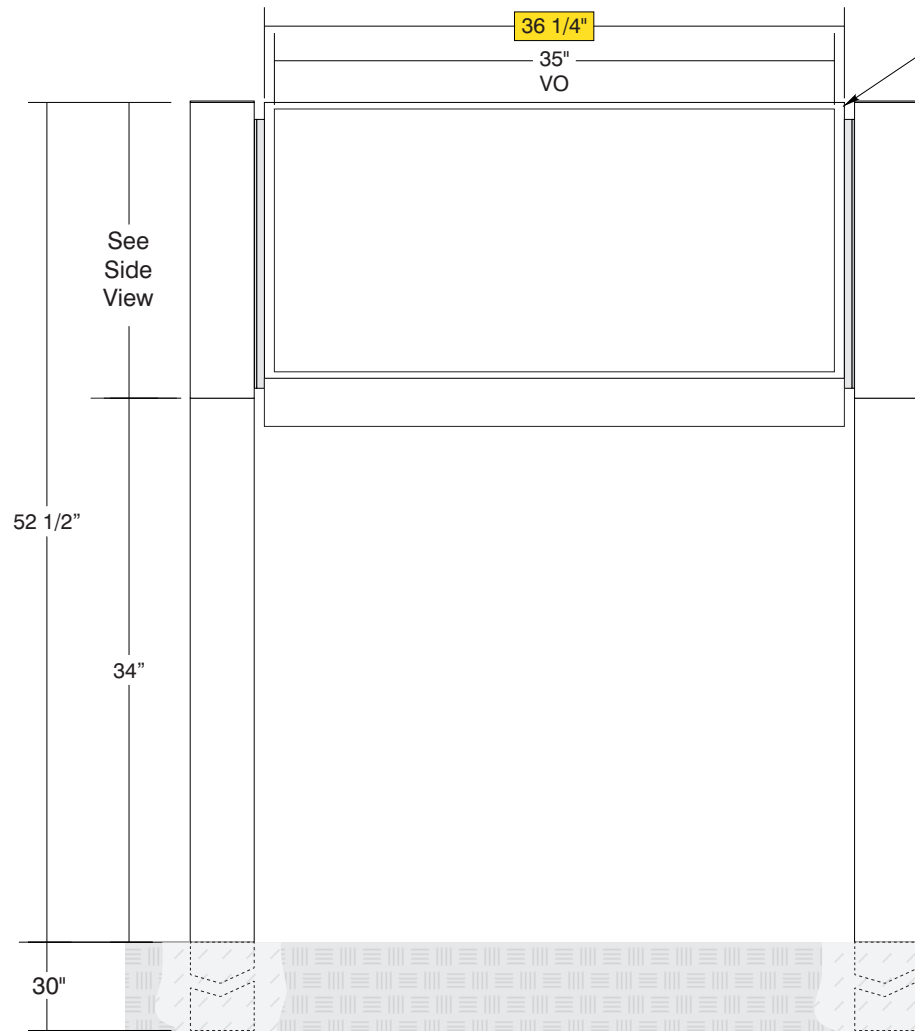
TOP VIEW



HED-400 Detail



FRONT VIEW



• Sign System: HED-400 Standard Face Bent Back

- (2) .050" Aluminum Panel: (H) 24" x (L) 36"

• Paint:

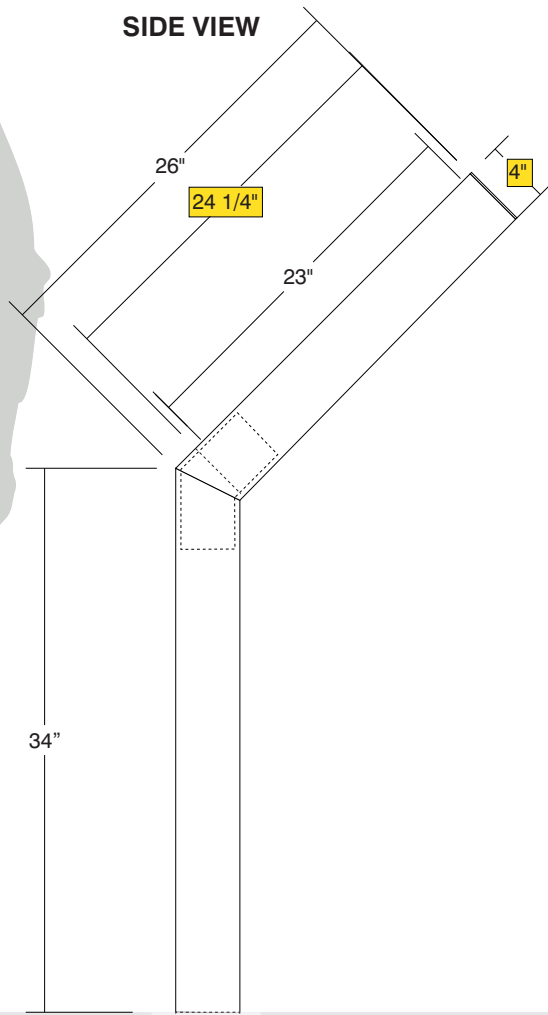
- Standard White - Frame, Panels, Posts, Caps

• Double Post Mount

- (2) Total Post Size: 4" x 4" x (L) 90" with Caps
 - Top Post Size: 4" x 4" x (L) 26"
 - Bottom Post Size: 4" x 4" x (L) 64"
- (4) 3/16" Aluminum Internal Gussets

Represents
6 ft.

SIDE VIEW



Date	DWG# HED-400_SF_Bent Back	Scale:	1"=1'	Customer	Mounting SF/DF	Double Post Mount		Quote #	
X.XX.XX					Double Post Mount	Single Face		Sales Rep.	
Quantity				Location	Illuminated	NO	UL	Illustrator:	
1					Voltage	N/A	Amp		
Page				System	ADA	No	Rev. 0	Reviewed By:	
1 of 1				HED-400 (24" x 36") Standard Face Bent Back Sign System	*Due to the ADA/ ANSI's wide interpretation and other factors that may exist, we cannot affirm compliance in all situations and is hereby removed from responsibility regarding these issues.				



• 6400 Howard Drive, Fairview PA 16415 • Toll Free 800.458.0591 •
 • PA 814.833.7000 • Fax 814.838.0011 •
 www.howardindustries.com

All concepts and designs represented by this drawing are the property of Howard Industries and may not be reproduced or used in any manner without written consent. ©Copyright 2020 Howard Industries.