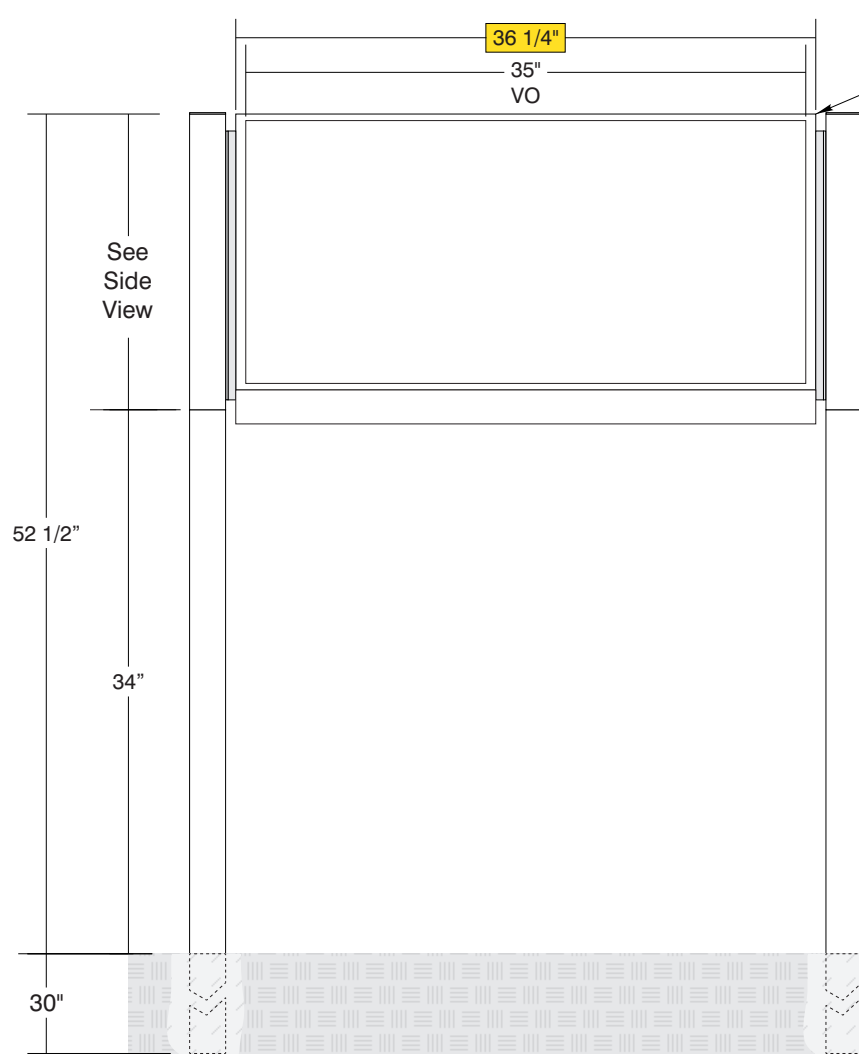


FRONT VIEW

SIDE VIEW



• **Sign System: HED-300 Standard Face Bent Back**

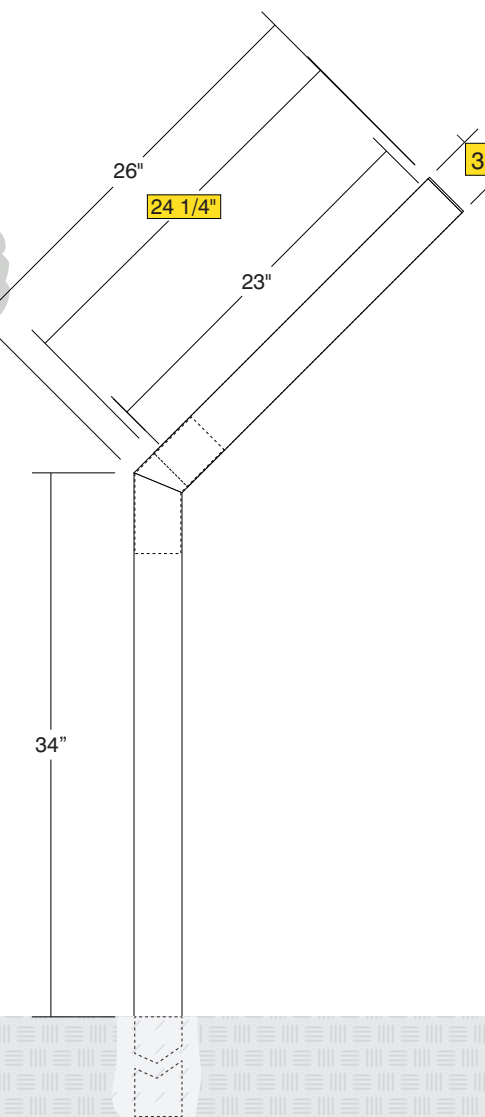
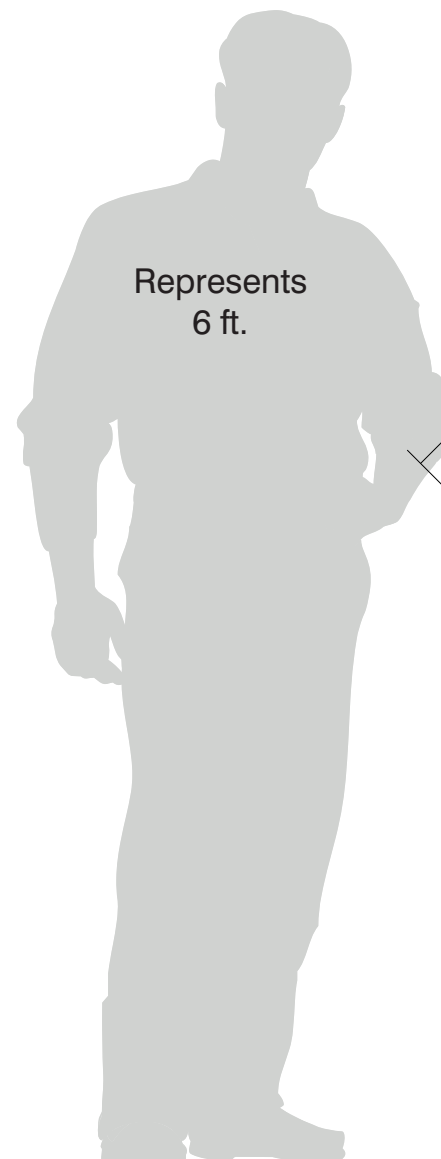
- (2) .050" Aluminum Panel: (H) 24" x (L) 36"

• **Paint:**

- Standard White - Frame, Panels, Posts, Caps

• **Double Post Mount**

- (2) Total Post Size: 2 1/4" x 3" x (L) 90" with Caps
- Top Post Size: 2 1/4" x 3" x (L) 26"
- Bottom Post Size: 2 1/4" x 3" x (L) 64"
- (4) 3/16" Aluminum Internal Gussets



Date	DWG# HED-300_SF_Bent Back	Scale:	1"=1'	Customer	Mounting SF/DF	Double Post Mount	Quote #	
X.XX.XX						Single Face		
Quantity				Location	Illuminated	NO	UL	Sales Rep.
1					Voltage	N/A	Amp	
Page				System	ADA	No	Rev. 0	Illustrator:
1 of 1				HED-300 (24" x 36") Standard Face Bent Back Sign System	*Due to the ADA/ ANSI's wide interpretation and other factors that may exist, we cannot affirm compliance in all situations and is hereby removed from responsibility regarding these issues.			Reviewed By:



• 6400 Howard Drive, Fairview PA 16415 • Toll Free 800.458.0591 •
 • PA 814.833.7000 • Fax 814.838.0011 •
 www.howardindustries.com

All concepts and designs represented by this drawing are the property of Howard Industries and may not be reproduced or used in any manner without written consent. ©Copyright 2020 Howard Industries.