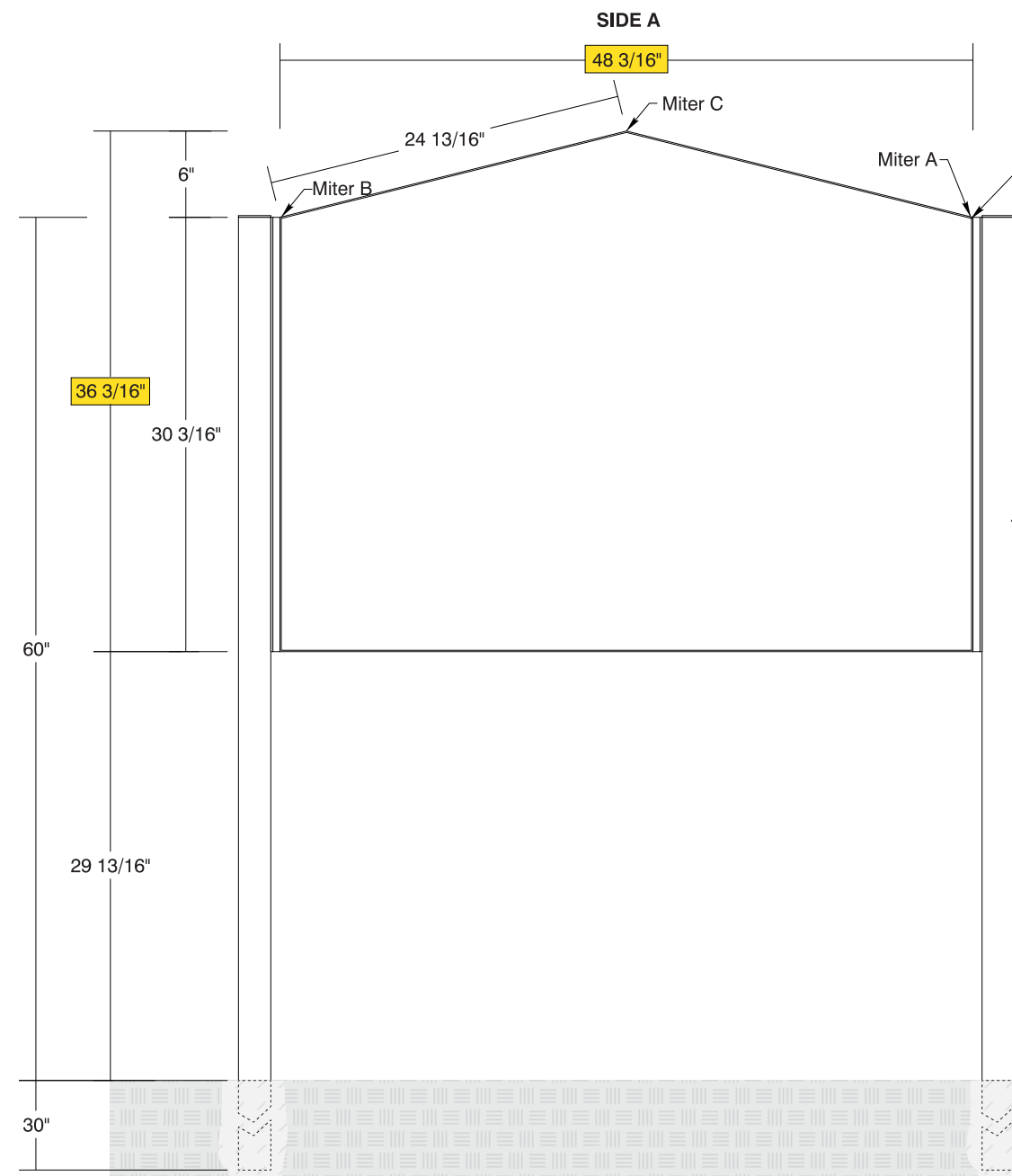
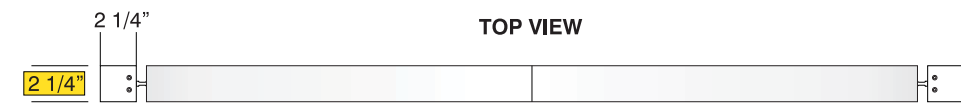
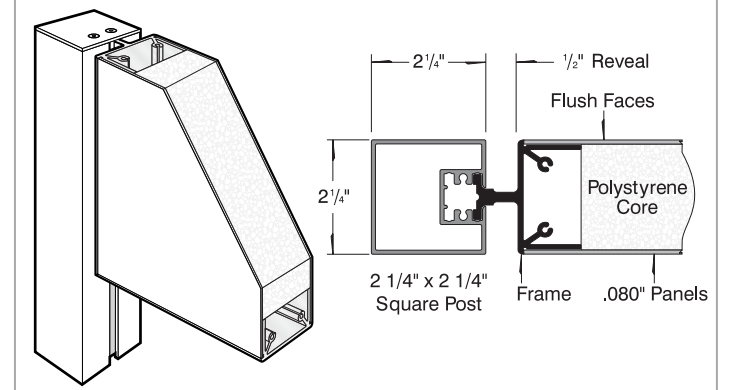


HED-225 Flush Face Detail



Sign System: HED-225 Peak

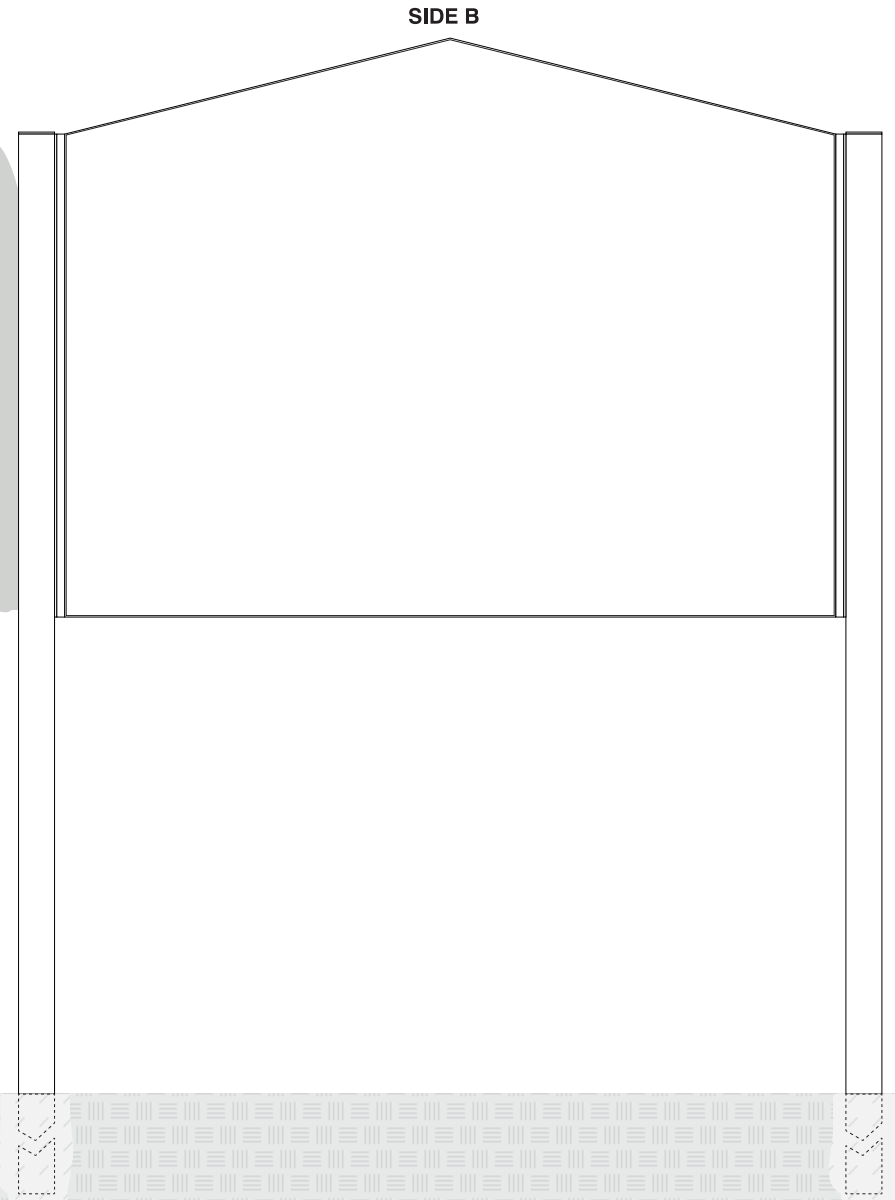
- Mitters A & B: 38°
- Mitters C: 14°
- (2) .080" Routed Aluminum Panels: (H) 36" x (L) 48"

Paint:

- Standard White - Panel, Frame, Posts, Caps

Double Post Mount

- Posts Size: 2 1/4" x 2 1/4" x (L) 90" with Caps



| | | | | | | | | |
|----------|-------------------|--------|-------|---|---|-------------------|------------|--------------|
| Date | DWG# HED-225_Peak | Scale: | 1"=1' | Customer | Mounting | Double Post Mount | Quote # | |
| XX.XX.XX | | | | | SF/DF | Double Face | Sales Rep. | |
| Quantity | | | | Location | Illuminated | NO | UL | |
| 1 | | | | | Voltage | N/A | Amp | N/A |
| Page | | | | System | ADA | No | Rev. 0 | Illustrator: |
| 1 of 1 | | | | HED-225 (36" x 48") Peak Top Sign System | *Due to the ADA/ ANSI's wide interpretation and other factors that may exist, we cannot affirm compliance in all situations and is hereby removed from responsibility regarding these issues. | | | Reviewed By: |



• 6400 Howard Drive, Fairview PA 16415 • Toll Free 800.458.0591 •
 • PA 814.833.7000 • Fax 814.838.0011 •
 www.howardindustries.com

All concepts and designs represented by this drawing are the property of Howard Industries and may not be reproduced or used in any manner without written consent. ©Copyright 2020 Howard Industries.