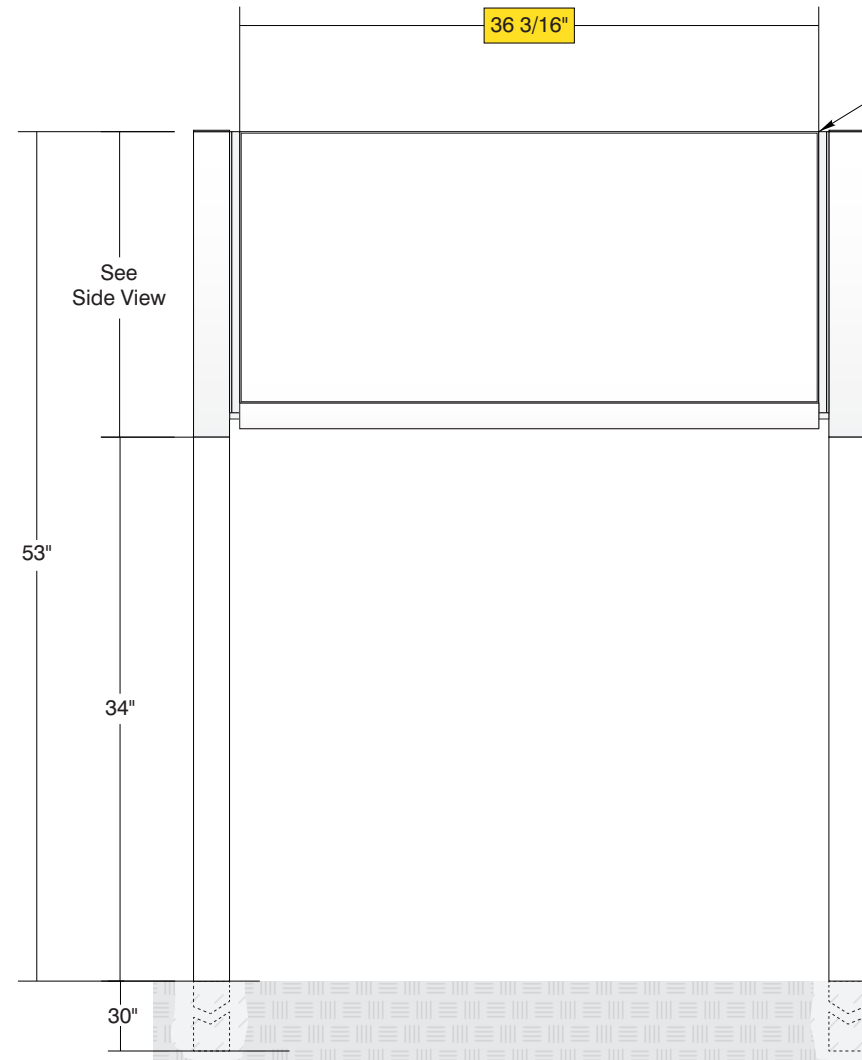
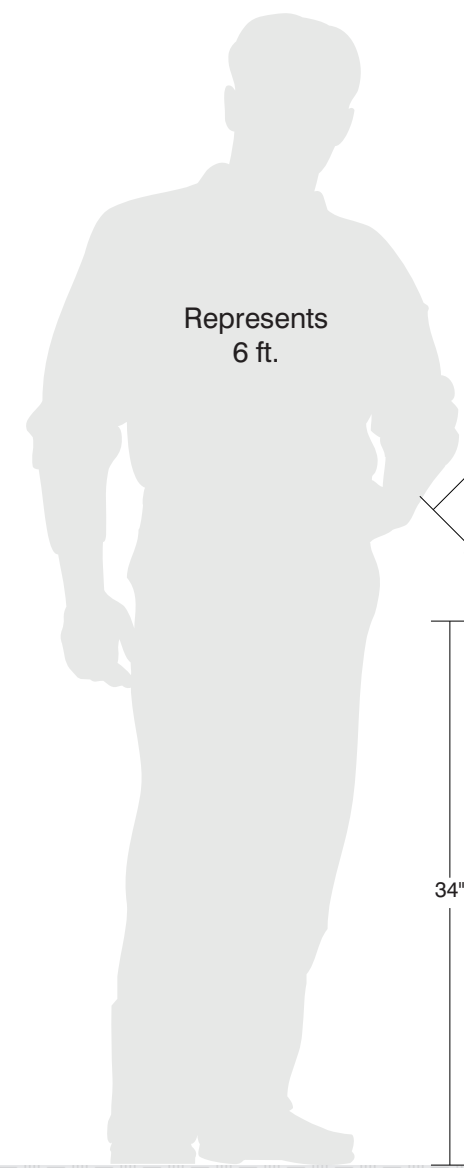


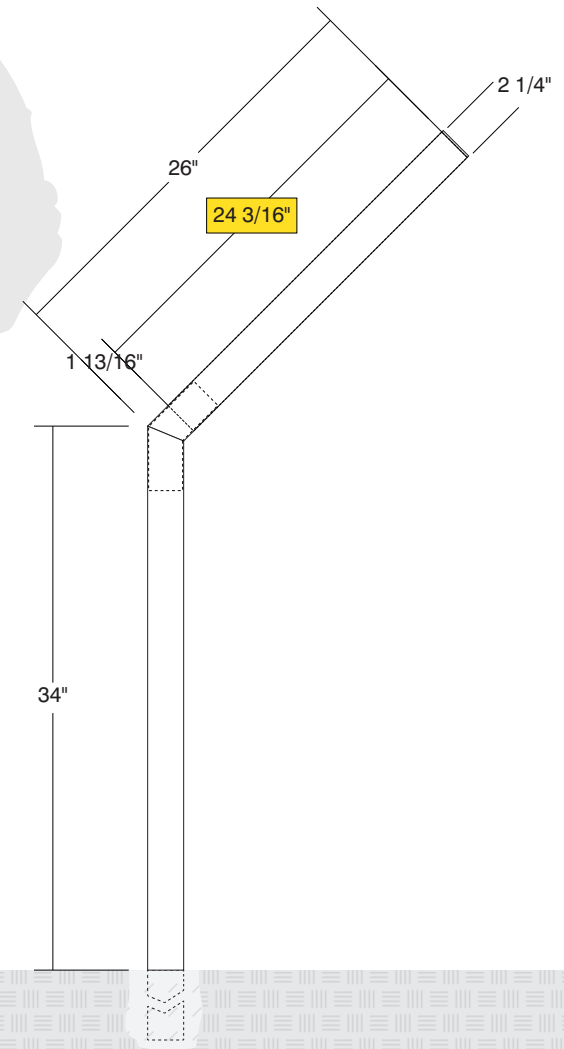
FRONT VIEW



- **Sign System: HED-225 Bent Back**
 - (2) .080" Aluminum Panels: (H) 24" x (L) 36"
- **Paint:**
 - Standard White - Panels, Frame, Posts, Caps
- **Double Post Mount**
 - (2) Total Posts Size: 2 1/4" x 2 1/4" x (L) 90" with Caps
 - Top Posts Size: 2 1/4" x 2 1/4" x (L) 26"
 - Bottom Posts Size: 2 1/4" x 2 1/4" x (L) 64"
 - (4) 3/16" Aluminum Internal Gussets



SIDE VIEW



Date	DWG# HED-225_BentBack	Scale:	1"=1'	Customer	Mounting SF/DF	Double Post Mount Double Face		Quote #	
XX.XX.XX				Location	Illuminated	NO	UL	Sales Rep.	
Quantity				System	Voltage	N/A	Amp N/A	Illustrator:	
1					ADA	No	Rev. 0	Reviewed By:	
Page				HED-225 (24" x 36") Bent Back Sign System	*Due to the ADA/ ANSI's wide interpretation and other factors that may exist, we cannot affirm compliance in all situations and is hereby removed from responsibility regarding these issues.				
1 of 1									



• 6400 Howard Drive, Fairview PA 16415 • Toll Free 800.458.0591 •
 • PA 814.833.7000 • Fax 814.838.0011 •
 www.howardindustries.com

All concepts and designs represented by this drawing are the property of Howard Industries and may not be reproduced or used in any manner without written consent. ©Copyright 2020 Howard Industries.