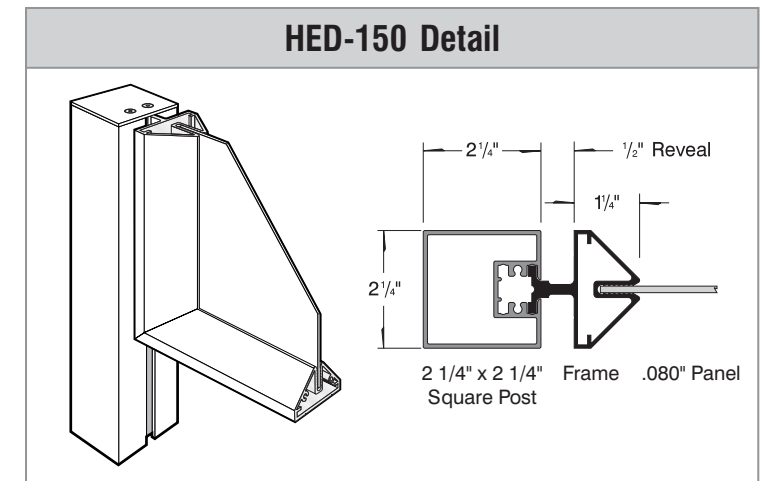
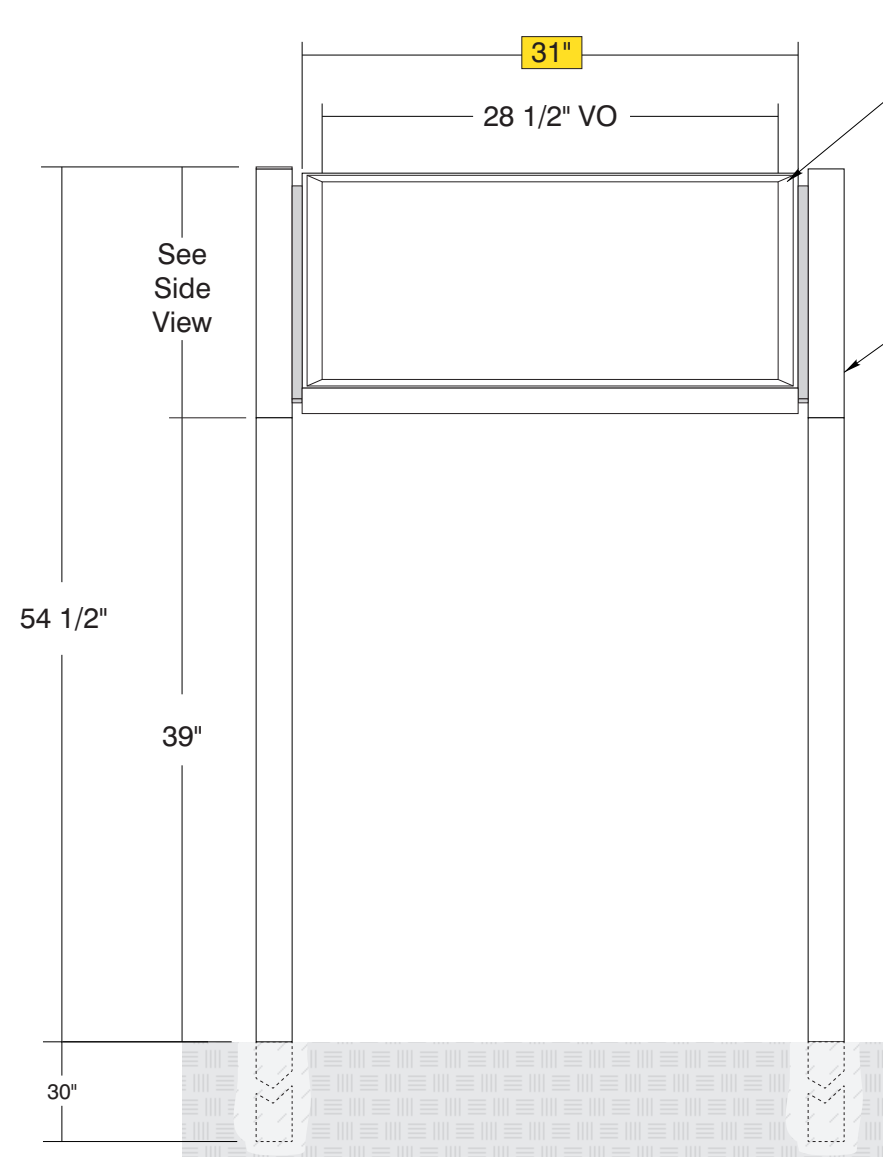


Top View



HED-150 Detail

Side A



• **Sign System: HED-150 Bent Back**

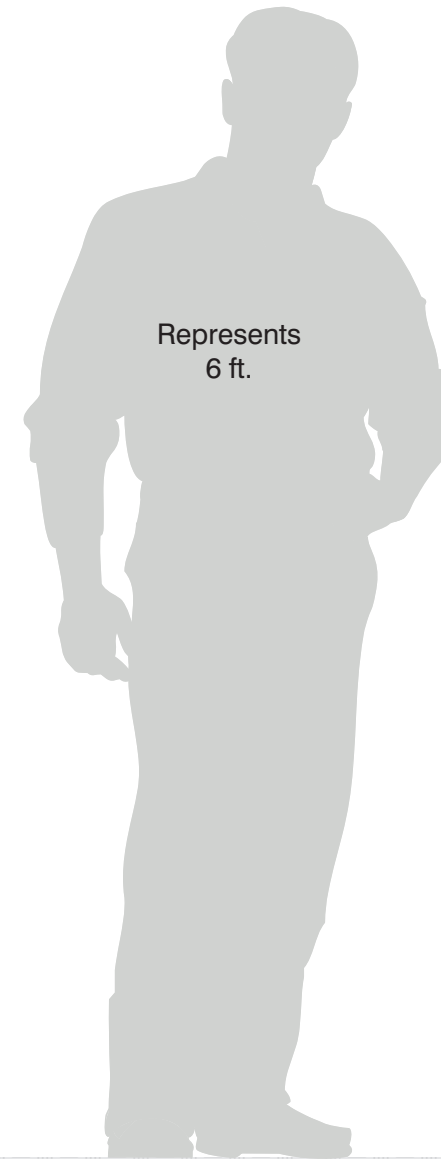
- (1) .080" Aluminum Panel: (H) 18" x (L) 30"

• **Paint:**

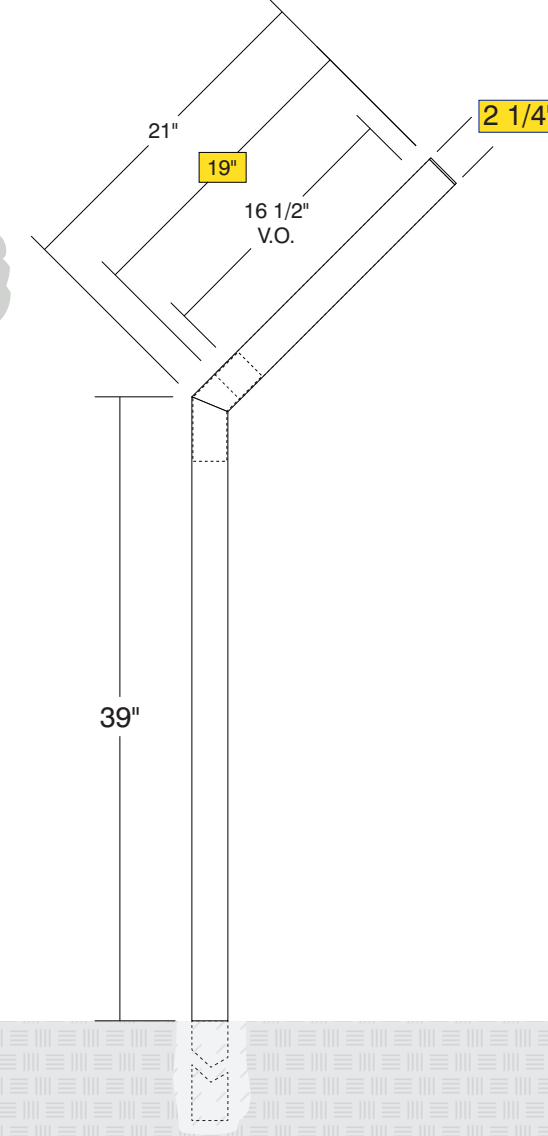
- Standard White - Frame, Panels, Posts, Caps

• **Double Bent Back Post Mount**

- (2) Post Size: 2 1/4" x 2 1/4" x (L) 90" with Caps
- Top Post Size: 2 1/4" x 2 1/4" x (L) 21"
- Bottom Post Size: 2 1/4" x 2 1/4" x (L) 69"
- (4) 3/16" Aluminum Internal Gussets



Side View



Date	DWG# HED-150_BentBack	Scale:	1"=1'	Customer	Mounting SF/DF	Double Post Mount		Quote #	
XX.XX.XX					Double Post Mount	Single Face		Sales Rep.	
Quantity				Location	Illuminated	NO	UL	Illustrator:	
1					Voltage	N/A	Amp		
Page				System	ADA	No	Rev. 0	Reviewed By:	
1 of 1				HED-150 (18" x 30") Bent Back Sign System	*Due to the ADA/ ANSI's wide interpretation and other factors that may exist, we cannot affirm compliance in all situations and is hereby removed from responsibility regarding these issues.				



• 6400 Howard Drive, Fairview PA 16415 • Toll Free 800.458.0591 •
 • PA 814.833.7000 • Fax 814.838.0011 •
 www.howardindustries.com

All concepts and designs represented by this drawing are the property of Howard Industries and may not be reproduced or used in any manner without written consent. ©Copyright 2020 Howard Industries.