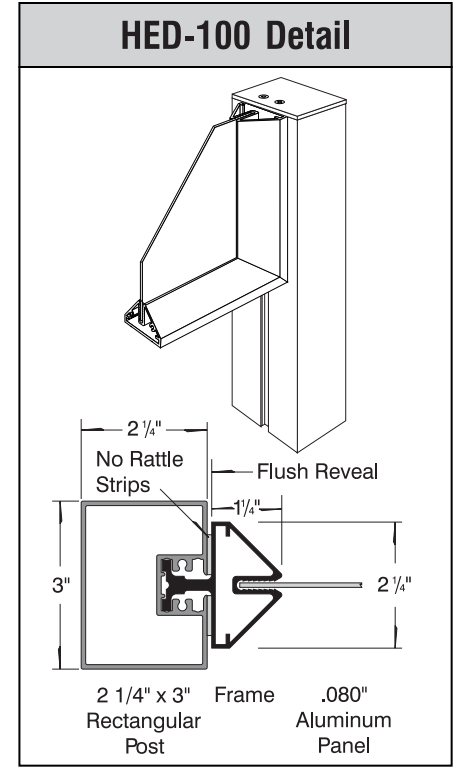
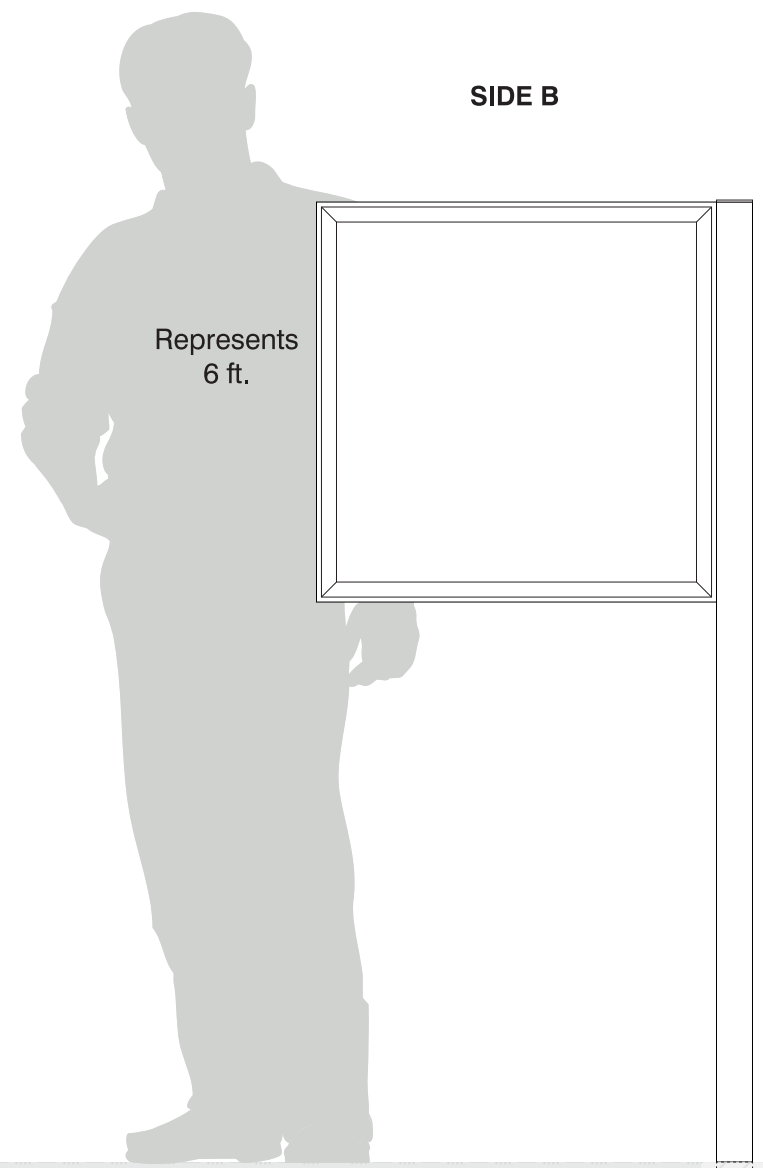


- **Sign System: HED-100 Flag Mount**
  - (1) .080" Aluminum Panel: (H) 24" x (L) 24"
- **Paint:**
  - Standard White - Frame, Panel, Post, Cap, Shims
- **Single Post Mount**
  - (1) Post Size: 2 1/4" x 3" x (L) 90" with Cap
  - (2) .100" Aluminum Shims: (H) 24 7/8" x (L) 13/16"

**\*NOTE: 1 3/4" Mounting Flange Comes out the bottom to act as locking square**



Date	DWG# HED-100_FlagMount	Scale:	1"=1'	Customer	Mounting SF/DF	Single Post Mount Double Face	Quote #	
XX.XX.XX				Location	ILLUMINATED	NO	Sales Rep.	
Quantity				System	Voltage	UL Amp N/A	Illustrator:	
1				HED-100 (24" x 24") Flag Mount Sign System	ADA	No Rev. 0	Reviewed By:	
Page					*Due to the ADA/ ANSI's wide interpretation and other factors that may exist, we cannot affirm compliance in all situations and is hereby removed from responsibility regarding these issues.			
1 of 1								



• 6400 Howard Drive, Fairview PA 16415 • Toll Free 800.458.0591 •  
 • PA 814.833.7000 • Fax 814.838.0011 •  
 www.howardindustries.com

All concepts and designs represented by this drawing are the property of Howard Industries and may not be reproduced or used in any manner without written consent. ©Copyright 2020 Howard Industries.