

• Sign System: Perma-Banner (Wall Mount)

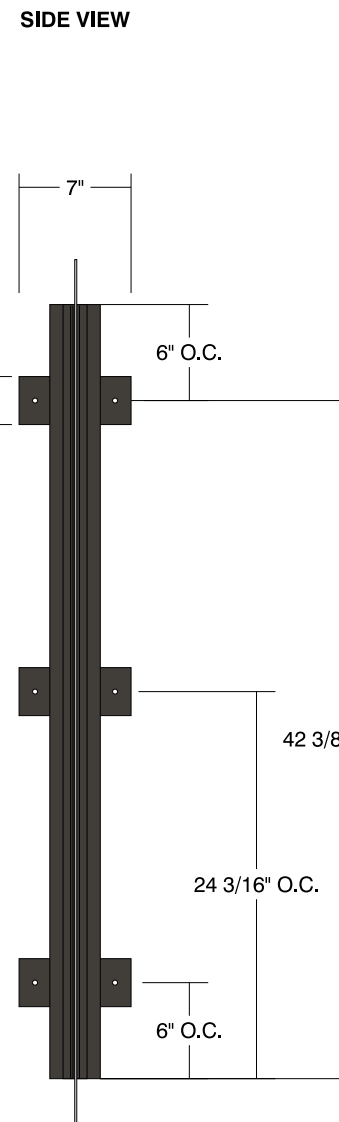
- .125" Aluminum Panel: (H) 54" x (L) 26 1/4"
- (4) .375" Dia. Mounting Holes
- (4) 1/2" Safety Radius Corners

• No Paint:

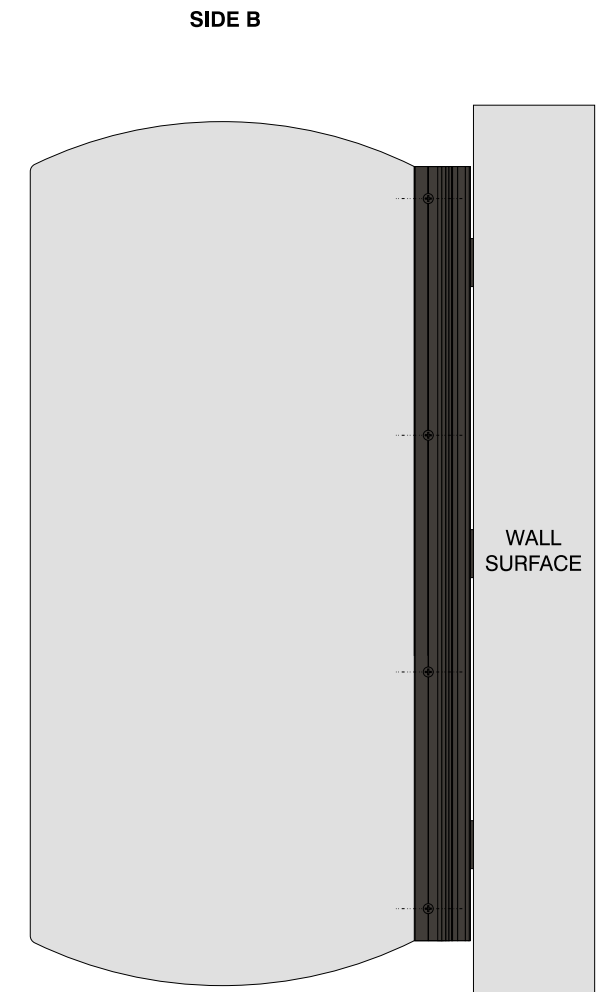
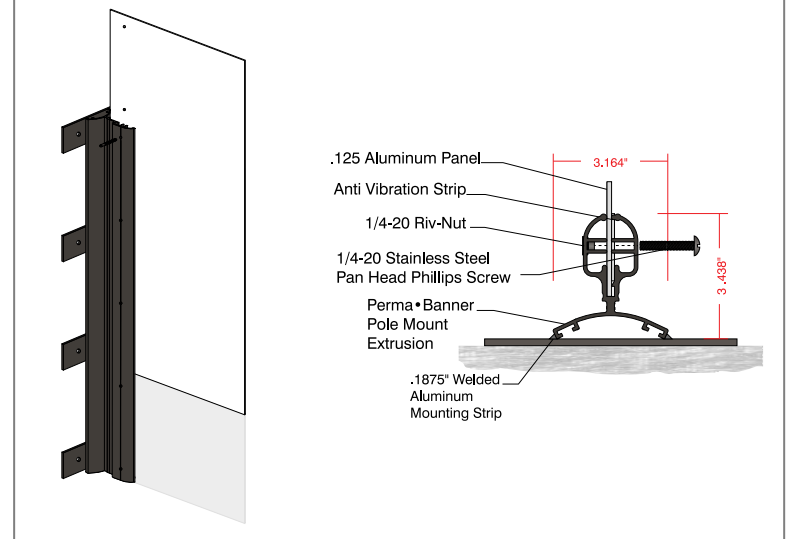
- Mill Finish - Panel
- Duranodic Bronze - Mounting Extrusion

• Perma Banner Bracket Extrusion (L) 48 3/8"

- (3) 3" x 7" Evenly Distributed Aluminum Mounting Strips
 - (2) Located 6" O.C. in From Extrusions Ends
- (4) .375" Dia. Evenly Distributed Pre-Drilled Thru Holes for 1/4-20 Riv-Nuts
 - (2) 2" On Center in From Panel Ends



Perma•Banner Wall Mount Detail



Date	DWG# Perma-Banner_Radius_WallMount	Scale:	1"=1'	Customer	Mounting SF/DF	Wall Mounted Double Face	Quote #	
XX.XX.XX					illuminated	NO	UL	Sales Rep.
Quantity				Location	Voltage	N/A	Amp	Illustrator:
1					ADA	No	Rev. 0	Reviewed By:
Page				System	*Due to the ADA/ ANSI's wide interpretation and other factors that may exist, we cannot affirm compliance in all situations and is hereby removed from responsibility regarding these issues.			
1 of 1				Perma-Banner (54" x 24") Radius Wall Mount Sign System				



• 6400 Howard Drive, Fairview PA 16415 • Toll Free 800.458.0591 •
• PA 814.833.7000 • Fax 814.838.0011 •
www.howardindustries.com

All concepts and designs represented by this drawing are the property of Howard Industries and may not be reproduced or used in any manner without written consent. ©Copyright 2020 Howard Industries.