

**• Sign System: Perma-Banner (Wall Mount)**

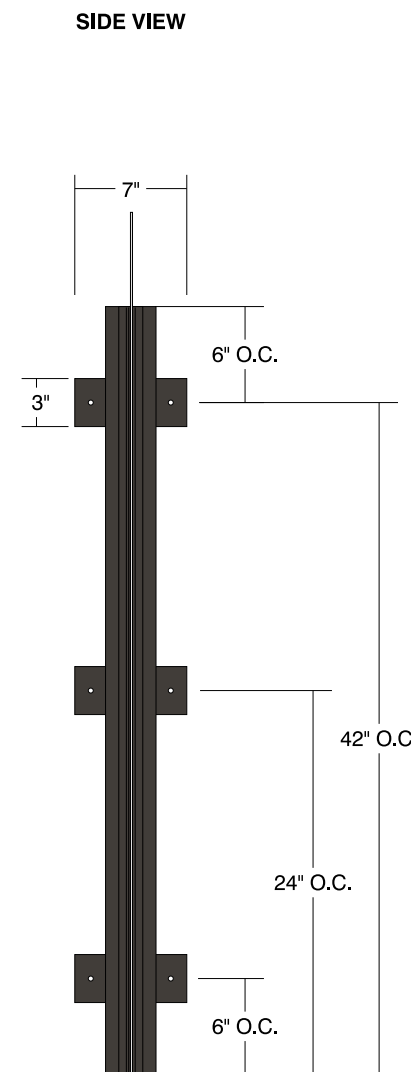
- .125" Aluminum Panel: (H) 54" x (L) 26 1/4"
- (4) .375" Dia. Mounting Holes
- (4) 1/2" Safety Radius Corners

**• No Paint:**

- Mill Finish - Panel
- Duranodic Bronze - Mounting Extrusion

**• Perma Banner Bracket Extrusion (L) 48"**

- (3) 3" x 7" Evenly Distributed Aluminum Mounting Strips
  - (2) Located 6" O.C. in From Extrusions Ends
- (4) .375" Dia. Evenly Distributed Pre-Drilled Thru Holes for 1/4-20 Riv-Nuts
  - (2) 2" On Center in From Panel Ends



Date	DWG# Perma-Banner_Peak_WallMount	Scale:	1"=1'	Customer	Mounting SF/DF	Wall Mounted Double Face	Quote #	
XX.XX.XX				Location	ILLUMINATED	NO	Sales Rep.	
Quantity				System	Voltage	N/A	Illustrator:	
1				Perma-Banner (54" x 24") Peak Wall Mount Sign System	ADA	No	Reviewed By:	
Page						UL		
1 of 1						Amp		
						N/A		
						Rev. 0		
					*Due to the ADA/ ANSI's wide interpretation and other factors that may exist, we cannot affirm compliance in all situations and is hereby removed from responsibility regarding these issues.			



• 6400 Howard Drive, Fairview PA 16415 • Toll Free 800.458.0591 •  
• PA 814.833.7000 • Fax 814.838.0011 •  
www.howardindustries.com

All concepts and designs represented by this drawing are the property of Howard Industries and may not be reproduced or used in any manner without written consent. ©Copyright 2020 Howard Industries.