

TYP
 Dwg. No.:
 XXXX-XX

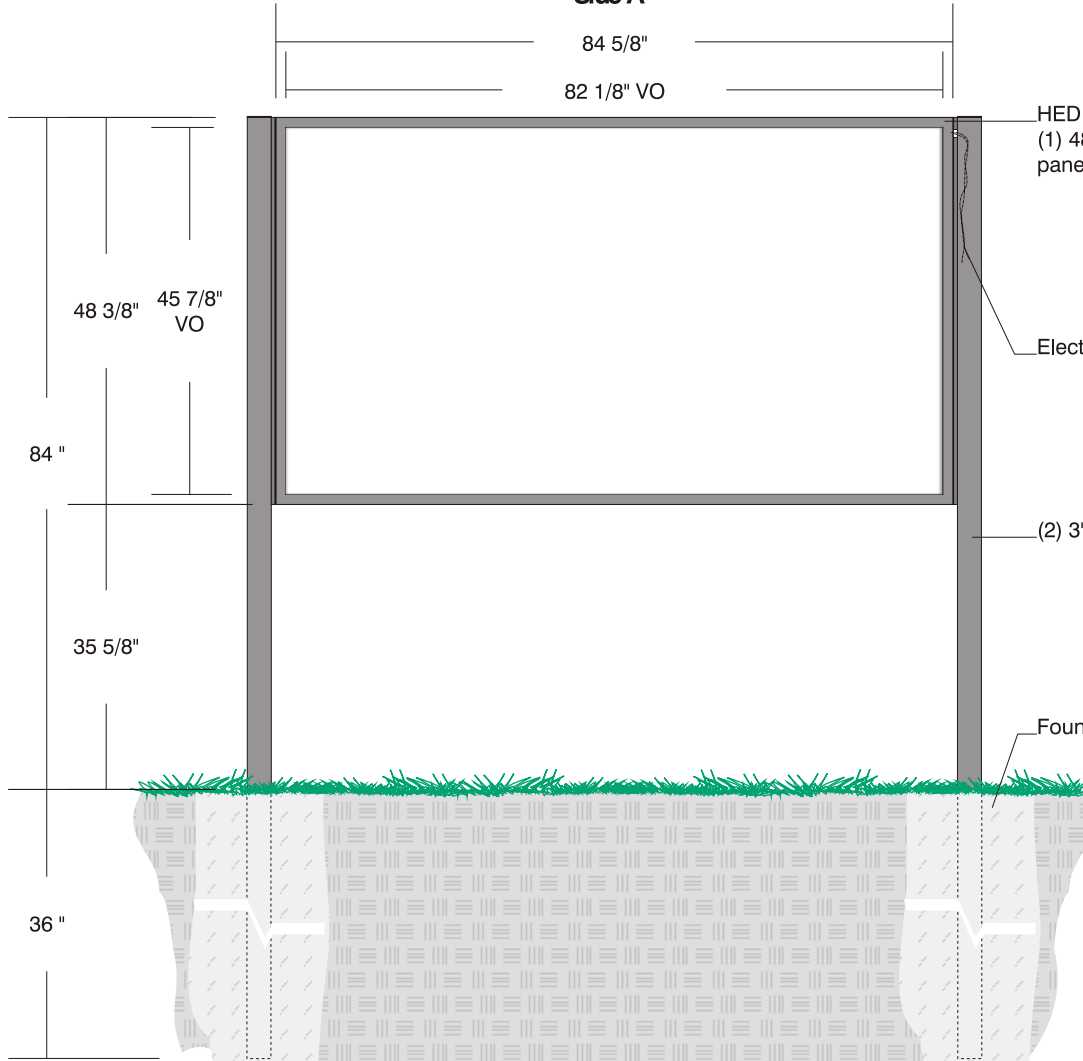
HED I-70

Double Post, Single Face,
 Duranodic Bronze Finish, Illuminated (120 Volt, 3.3 Amps)

Top View



Side A



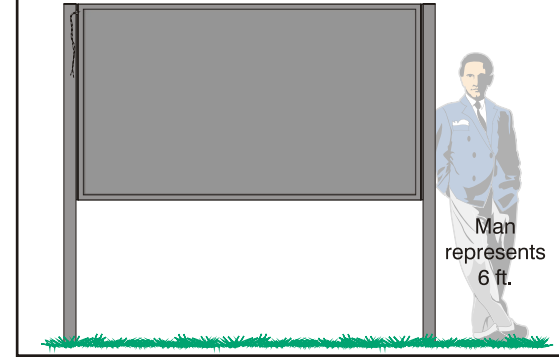
HED I-70 illuminated sign system with frame,
 (1) 48" x 84" x .125" white polycarbonate front
 panel, and (1) 48" x 84" x .050" aluminum back panel

Electrical hookup inside of post

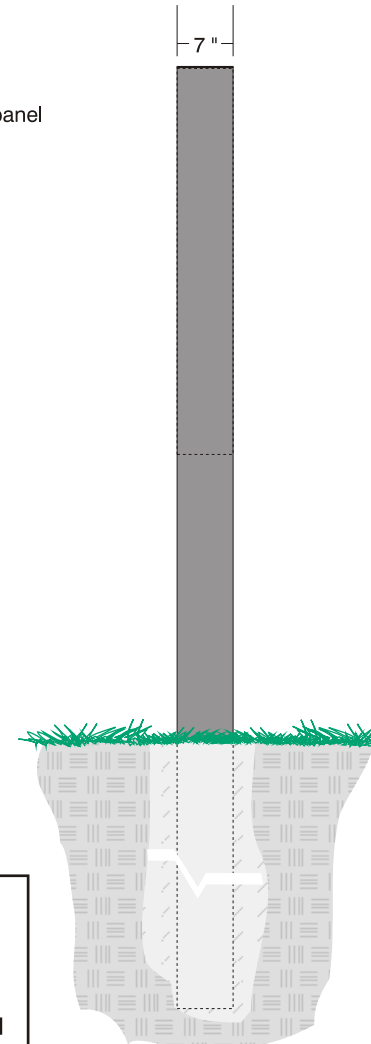
(2) 3" x 7" x 120" mounting posts

Foundation by others

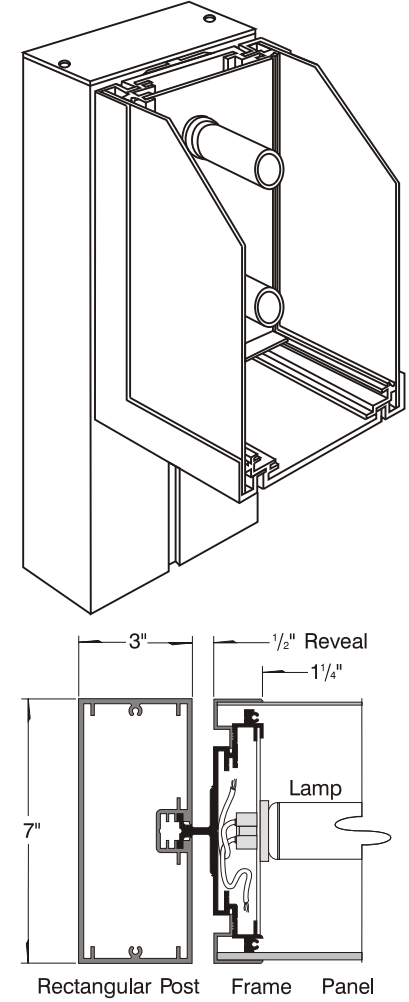
Side B Detail



Side View



HED I-70 Detail



Drawing Notes
 *All sign components of
 extruded aluminum and
 having a duranodic bronze
 finish unless otherwise specified

Client: XXXX
 System: HED I-70
 Date: 12-23-04
 Scale: 1/2" = 1'-0"

✂ XX
 Drawing format is
 faxed to fit legal
 size paper,
 8-1/2" x 14"

This drawing was specifically created for: **XXXX**
 Sales Representative: **XXXX**
 6400 Howard Drive, Fairview, PA 16415 • Toll Free 800/458-0591 • PA 814/833-7000 • Fax 814/838-0011

