

TYP
Dwg. No.:
XXXX-XX

HED I-12 "Slide Panel"

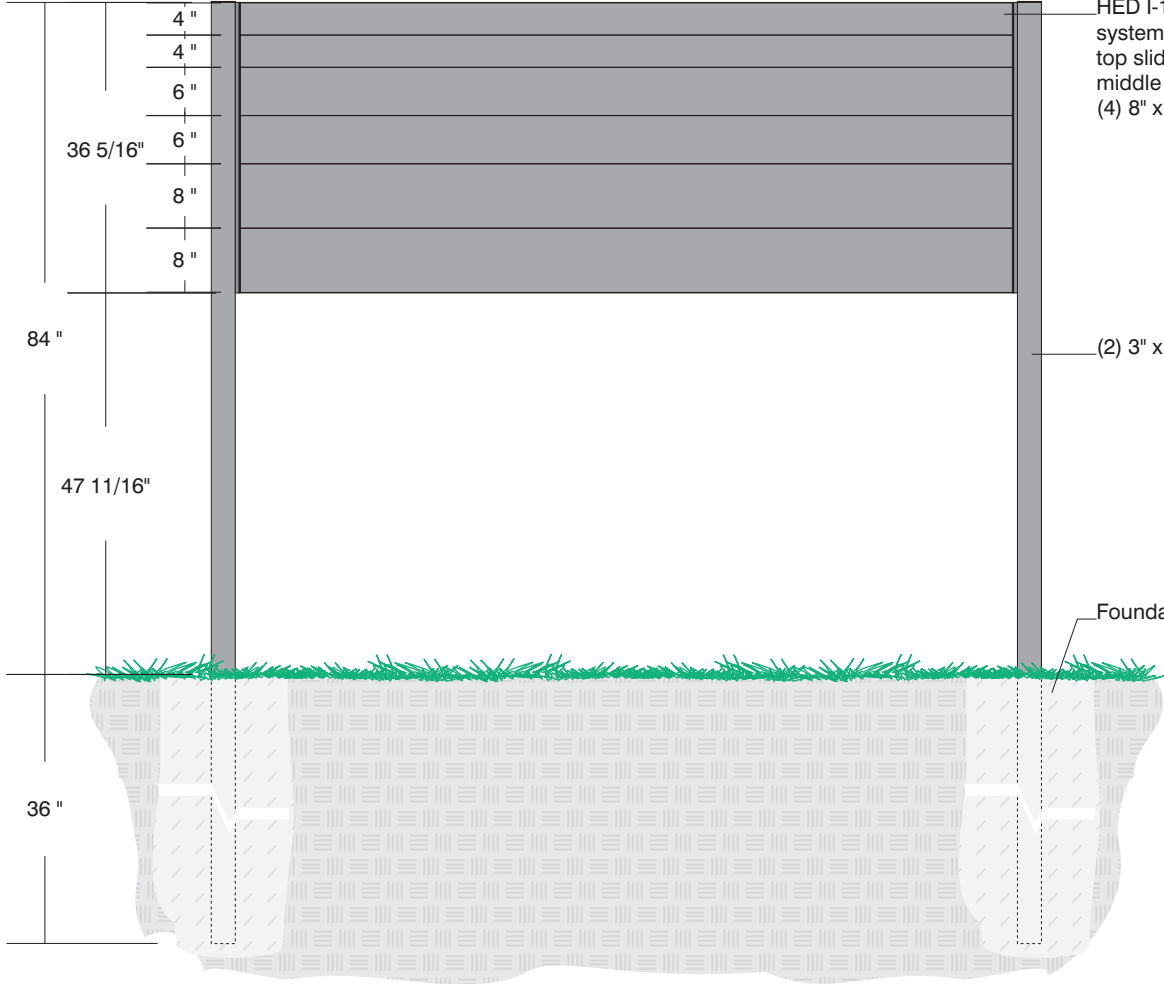
Double Post, Double Face,
Duranodic Bronze Finish, Non-Illuminated

Top View



Side A

96 5/8"

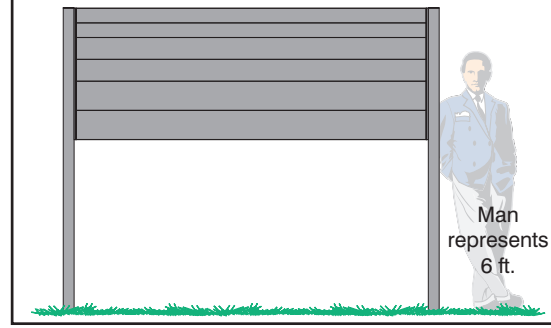


HED I-12 "slide panel" non-illuminated sign system with frame, (4) 4" x 96 9/16" x .100" top slide panels, (4) 6" x 96 9/16" x .100" middle slide panels, and (4) 8" x 96 9/16" x .100" bottom slide panels

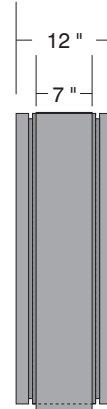
(2) 3" x 7" x 120" mounting posts

Foundation by others

Side B Detail

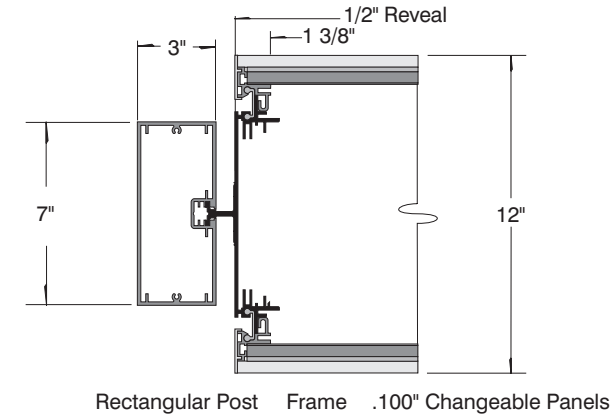
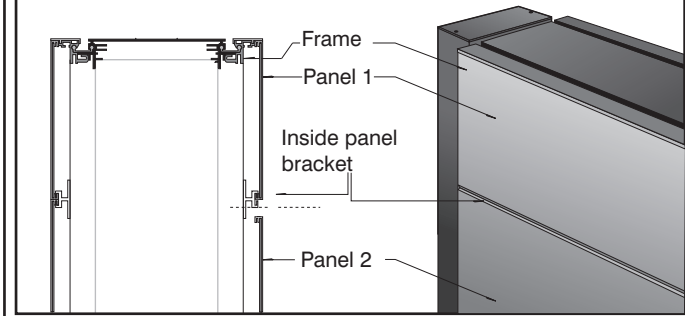


Side View



HED I-12 "Slide Panel" Detail

Side View



Drawing Notes

*All sign components of extruded aluminum and having a duranodic bronze finish unless otherwise specified

Client: XXXX
System: HED I-12
Date: 01-10-05
Scale: 1/2" = 1'-0"

XX

Drawing format is faxed to fit legal size paper, 8-1/2" x 14"

This drawing was specifically created for: XXXX
Sales Representative: XXXX

6400 Howard Drive, Fairview, PA 16415 • Toll Free 800/458-0591 • PA 814/833-7000 • Fax 814/838-0011

