

TYP  
 Dwg. No.:  
 XXXXX-XX

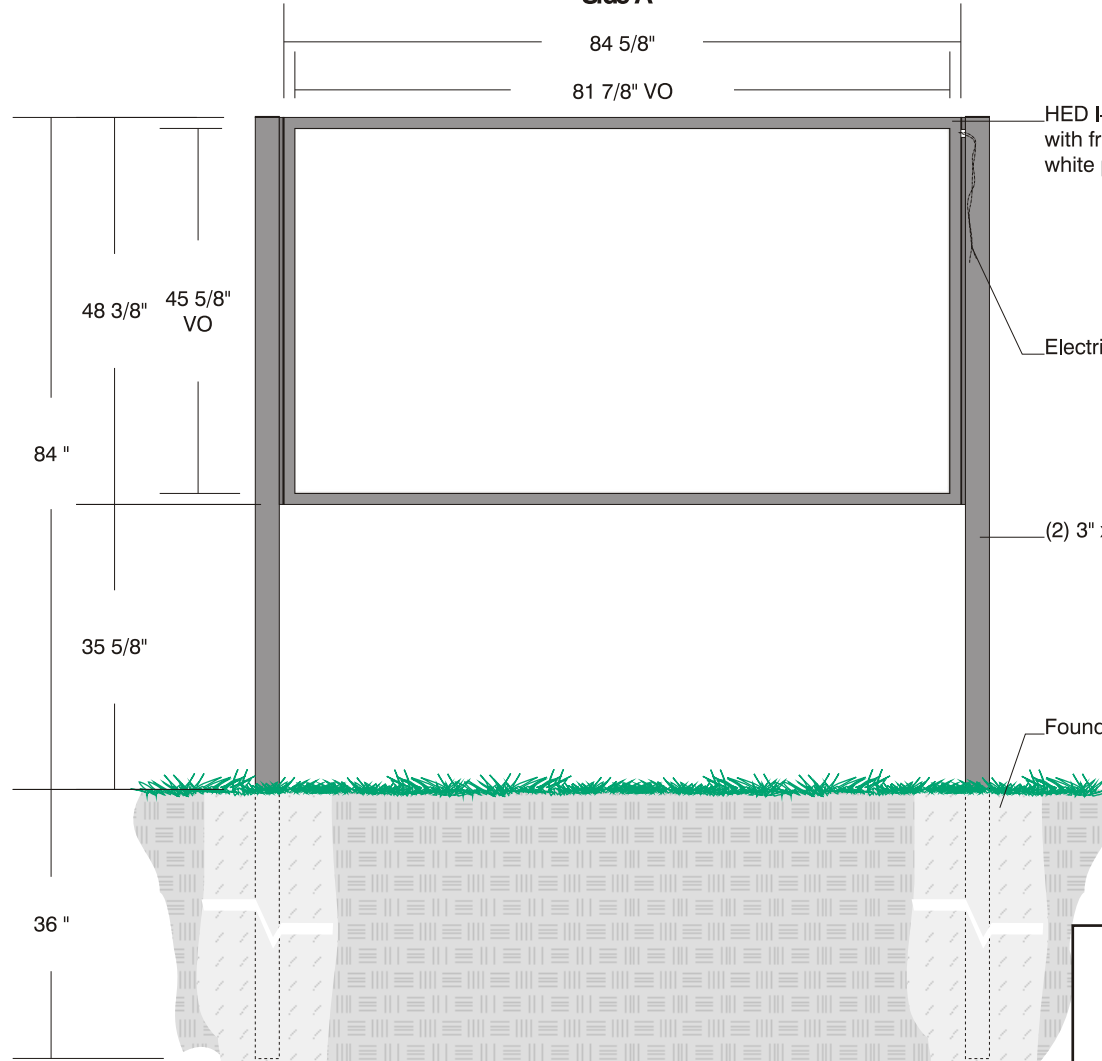
# HED I-12

Double Post, Double Face,  
 Duranodic Bronze Finish, Illuminated (120 Volt, 3.3 Amps)

Top View



Side A



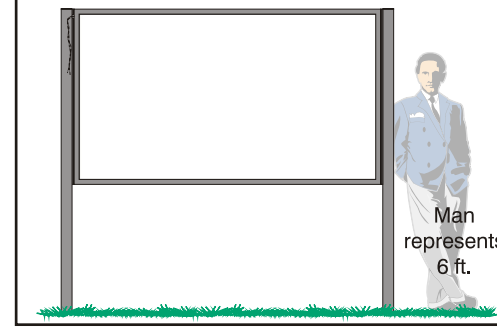
HED I-12 illuminated sign system with frame and (2) 48" x 84" x .125" white polycarbonate panels

Electrical hookup inside of post

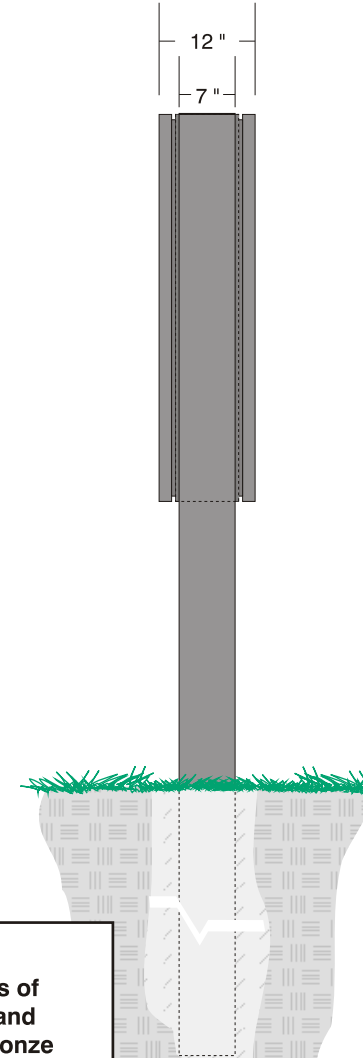
(2) 3" x 7" x 120" mounting posts

Foundation by others

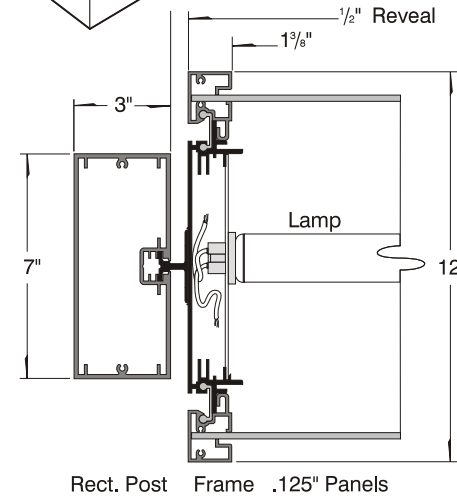
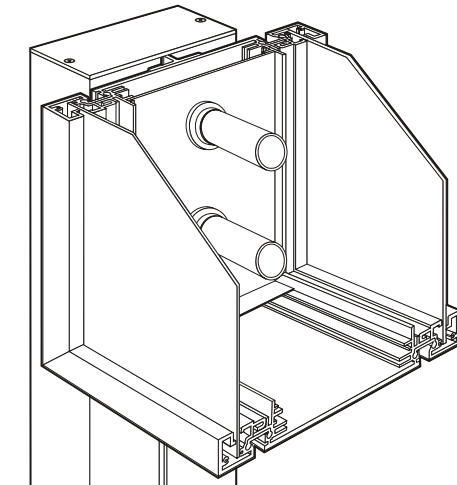
Side B Detail



Side View



HED I-12 Detail



**Drawing Notes**  
 \*All sign components of extruded aluminum and having a duranodic bronze finish unless otherwise specified

Client: XXXX  
 System: HED I-12  
 Date: 12-28-04  
 Scale: 1/2" = 1'-0"

XX

Drawing format is faxed to fit legal size paper, 8-1/2" x 14"

This drawing was specifically created for: XXXX  
 Sales Representative: XXXX  
 6400 Howard Drive, Fairview, PA 16415 • Toll Free 800/458-0591 • PA 814/833-7000 • Fax 814/838-0011

