

TYP
 Dwg. No.:
 XXXX-XX

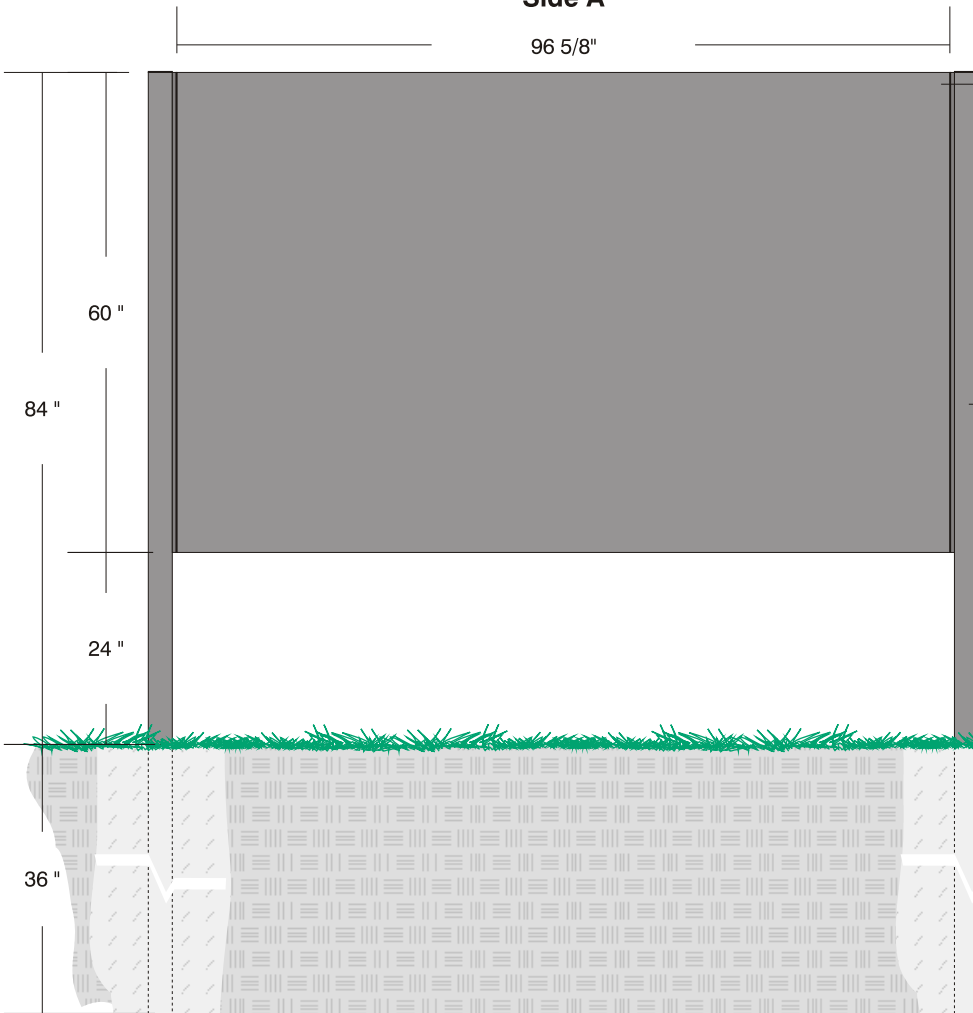
HED I-12 Flush Face

Double Post, Double Face,
 Duranodic Bronze Finish, Non-Illuminated

Top View



Side A

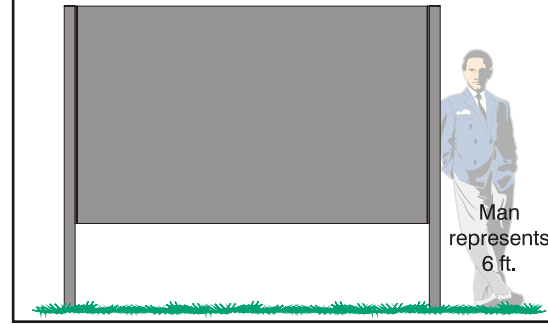


HED I-12 flush face non-illuminated sign system with frame and (2) 60" x 96 5/8" x .125" panels

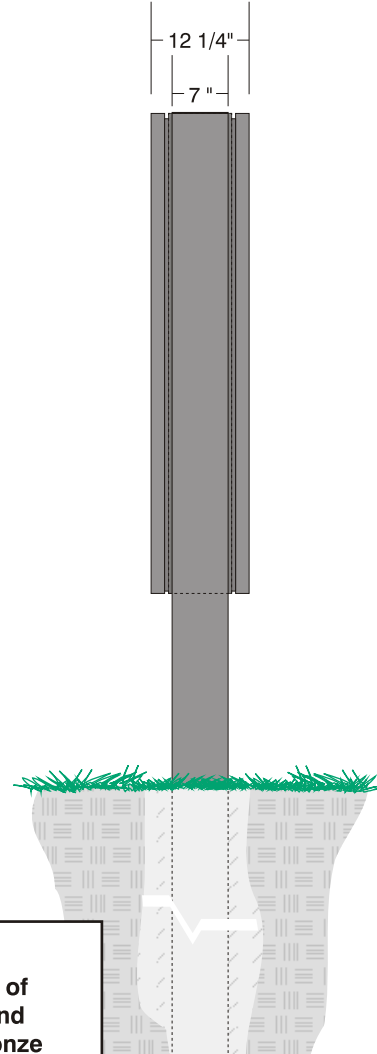
(2) 3" x 7" x 120" mounting posts

Foundation by others

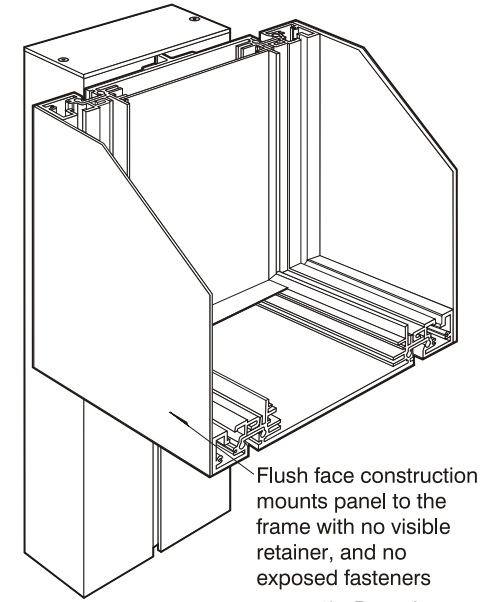
Side B Detail



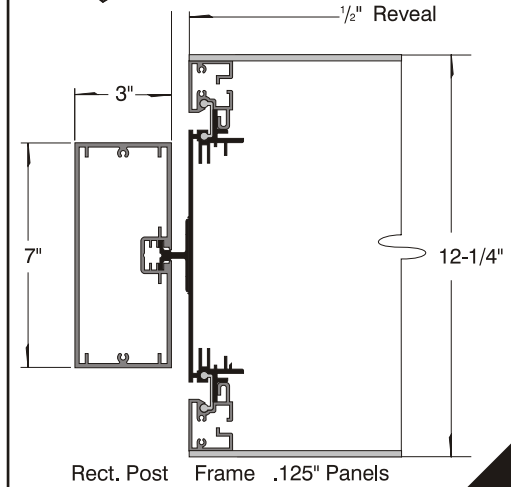
Side View



HED I-12 Flush Face Detail



Flush face construction mounts panel to the frame with no visible retainer, and no exposed fasteners



Drawing Notes
 *All sign components of extruded aluminum and having a duranodic bronze finish unless otherwise specified

Client: XXXX
 System: HED I-12
 Date: 01-10-05
 Scale: 1/2" = 1'-0"

XX
 Drawing format is faxed to fit legal size paper, 8-1/2" x 14"

This drawing was specifically created for: XXXX
 Sales Representative XXXX

6400 Howard Drive, Fairview, PA 16415 • Toll Free 800/458-0591 • PA 814/833-7000 • Fax 814/838-0011

