

TYP
 Dwg. No.:
 XXXX-XX

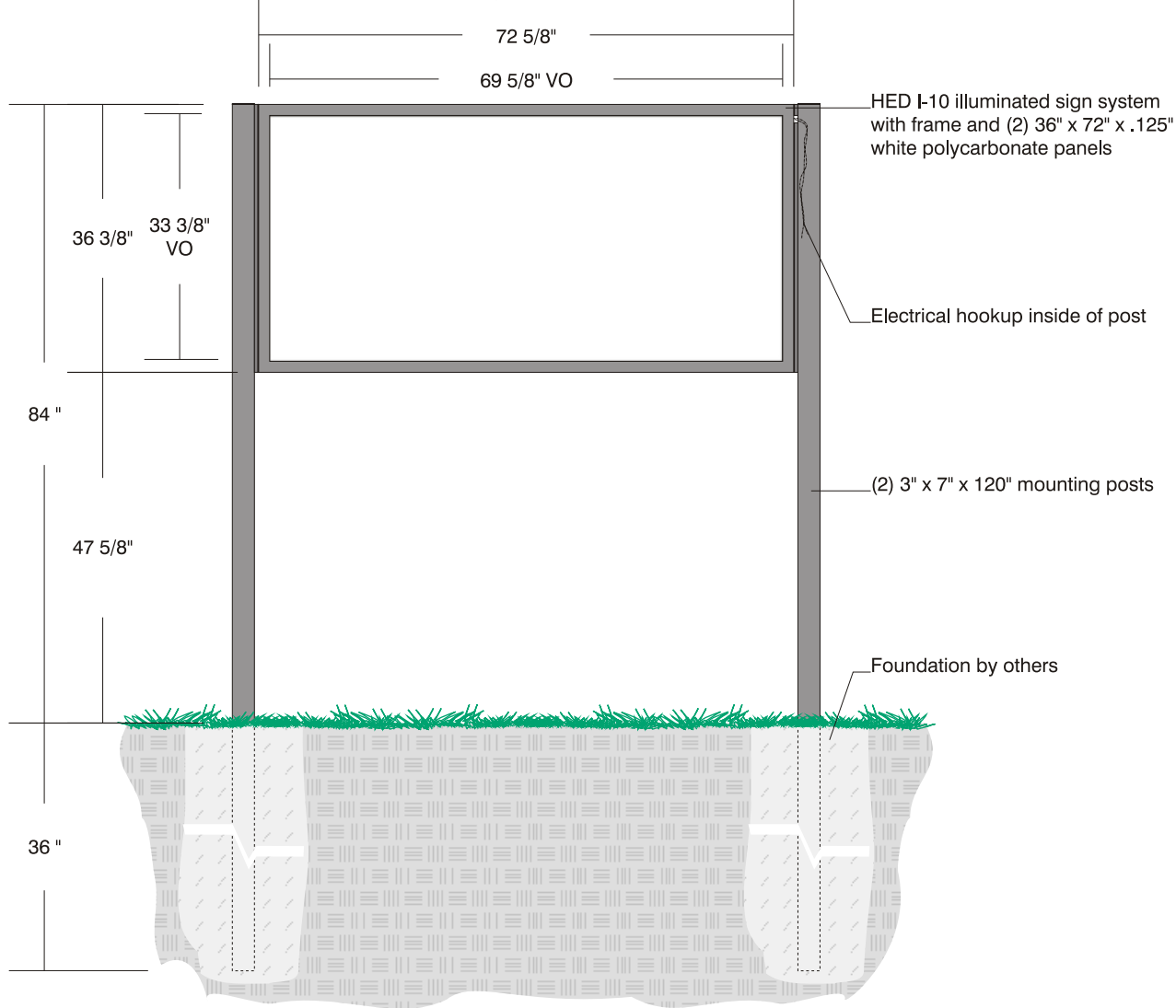
HED I-10

Double Post, Double Face,
 Duranodic Bronze Finish, Illuminated (120 Volt, 2.0 Amps)

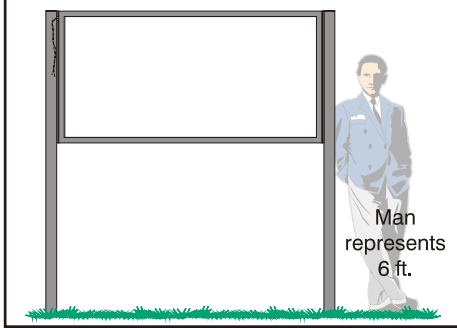
Top View



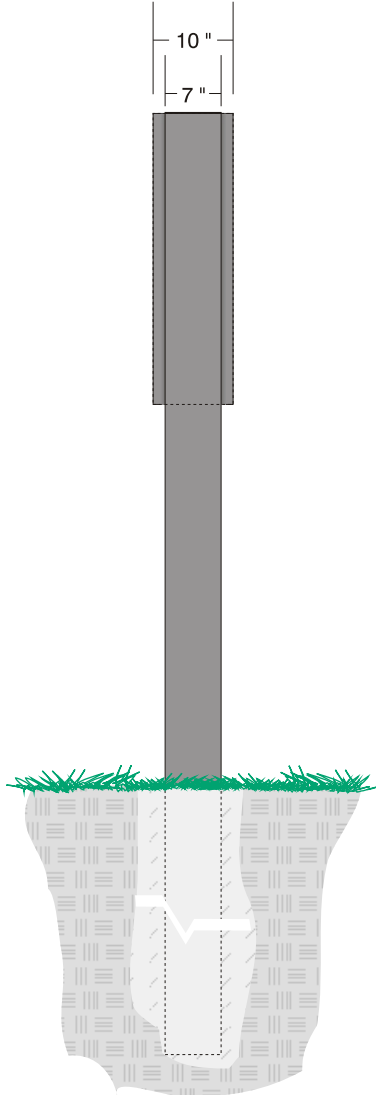
Side A



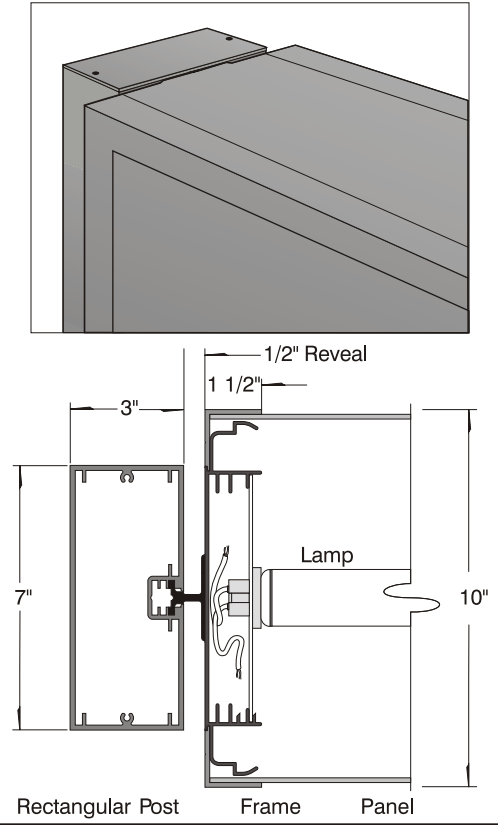
Side B Detail



Side View



HED I-10 Detail



Drawing Notes

*All sign components of extruded aluminum and having a duranodic bronze finish unless otherwise specified

Client: XXXX
 System: HED I-10
 Date: 12-28-04
 Scale: 1/2" = 1'-0"

✂ XX
 Drawing format is faxed to fit legal size paper, 8-1/2" x 14"

This drawing was specifically created for: XXXX
 Sales Representative: XXXX

6400 Howard Drive, Fairview, PA 16415 • Toll Free 800/458-0591 • PA 814/833-7000 • Fax 814/838-0011

