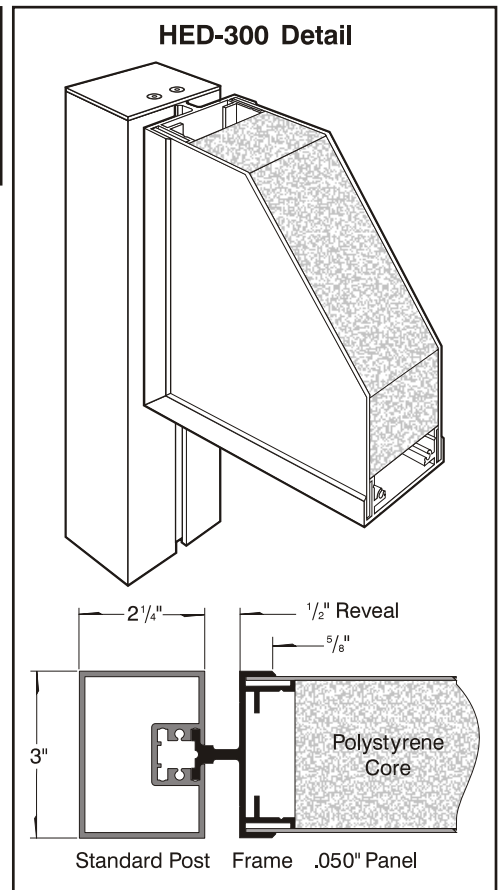


TYP
Dwg. No.:
XXXX-XX

HED-300

Double Post, Double Face, Duranodic Bronze Finish

Drawing Notes
 *All sign components of extruded aluminum and having a duranodic bronze finish unless otherwise specified



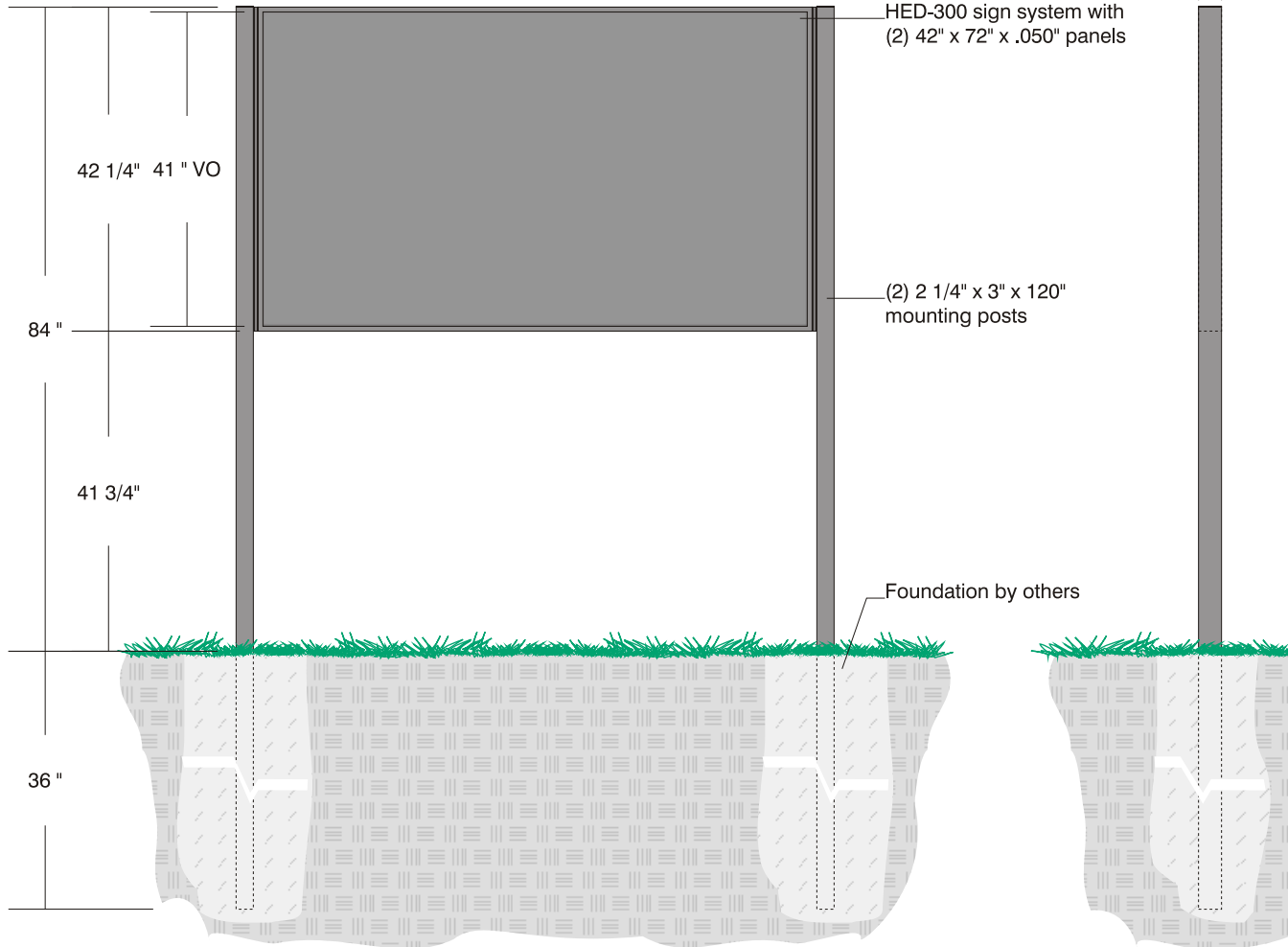
Top View



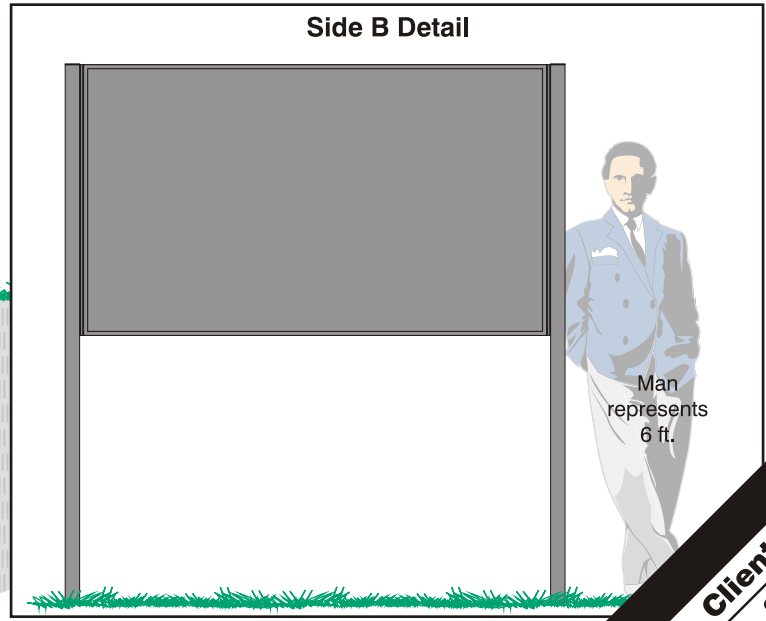
Side A



Side View



Side B Detail



Client: XXXX
System: HED-300
Date: 11-18-04
Scale: 1/2" = 1'-0"

XX
 Drawing format is faxed to fit legal size paper, 8-1/2" x 14"

This drawing was specifically created for: **XXXX**
 Sales Representative: **XXXX**
 6400 Howard Drive, Fairview, PA 16415 • Toll Free 800/458-0591 • PA 814/833-7000 • Fax 814/838-0011

