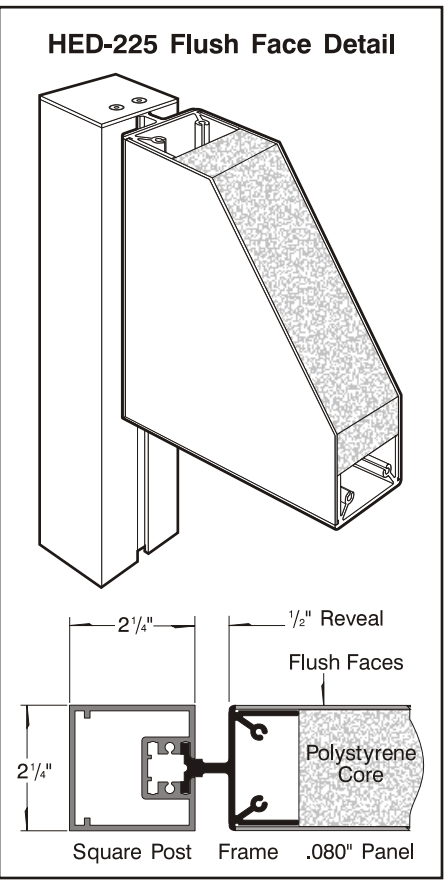


TYP
Dwg. No.:
XXXX-XX

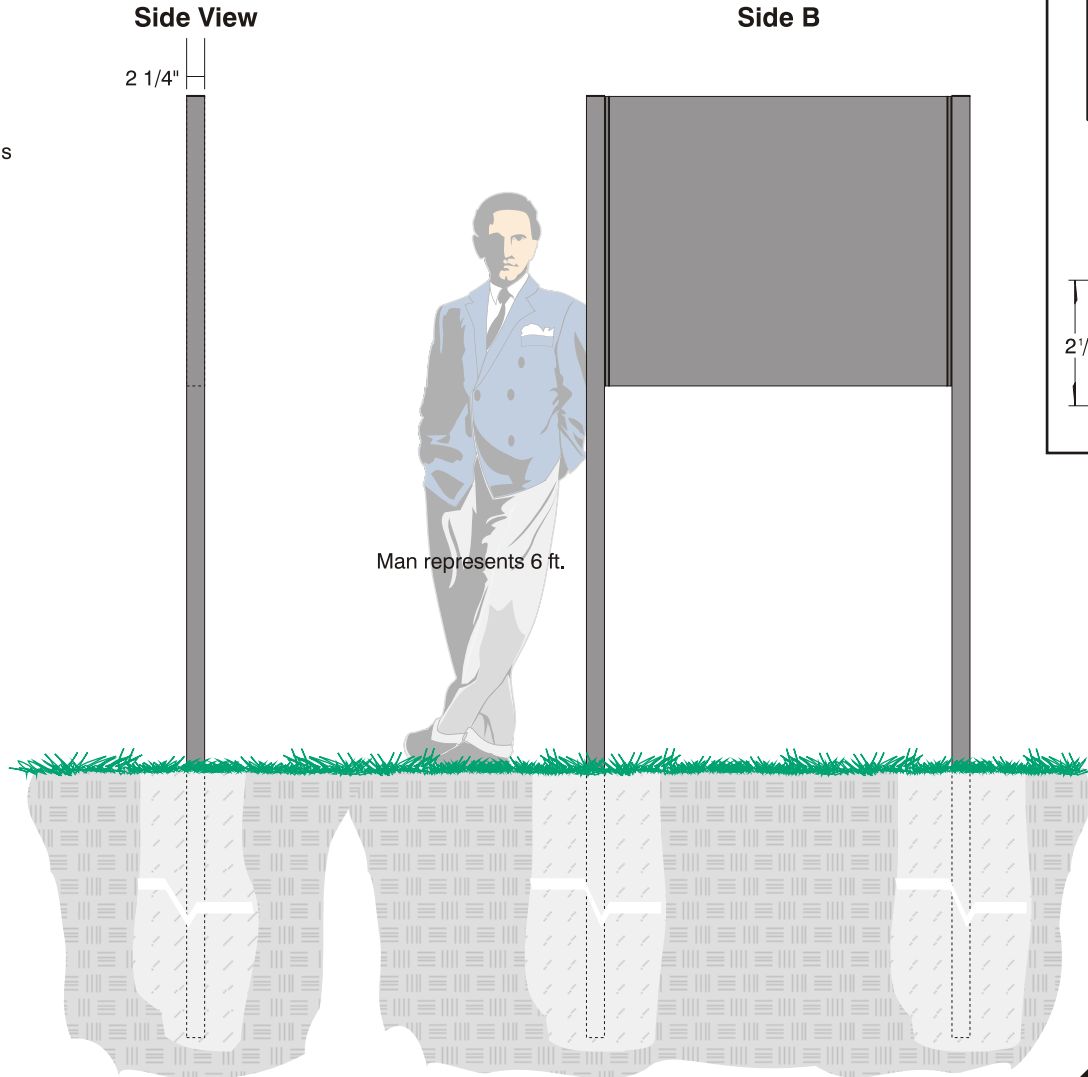
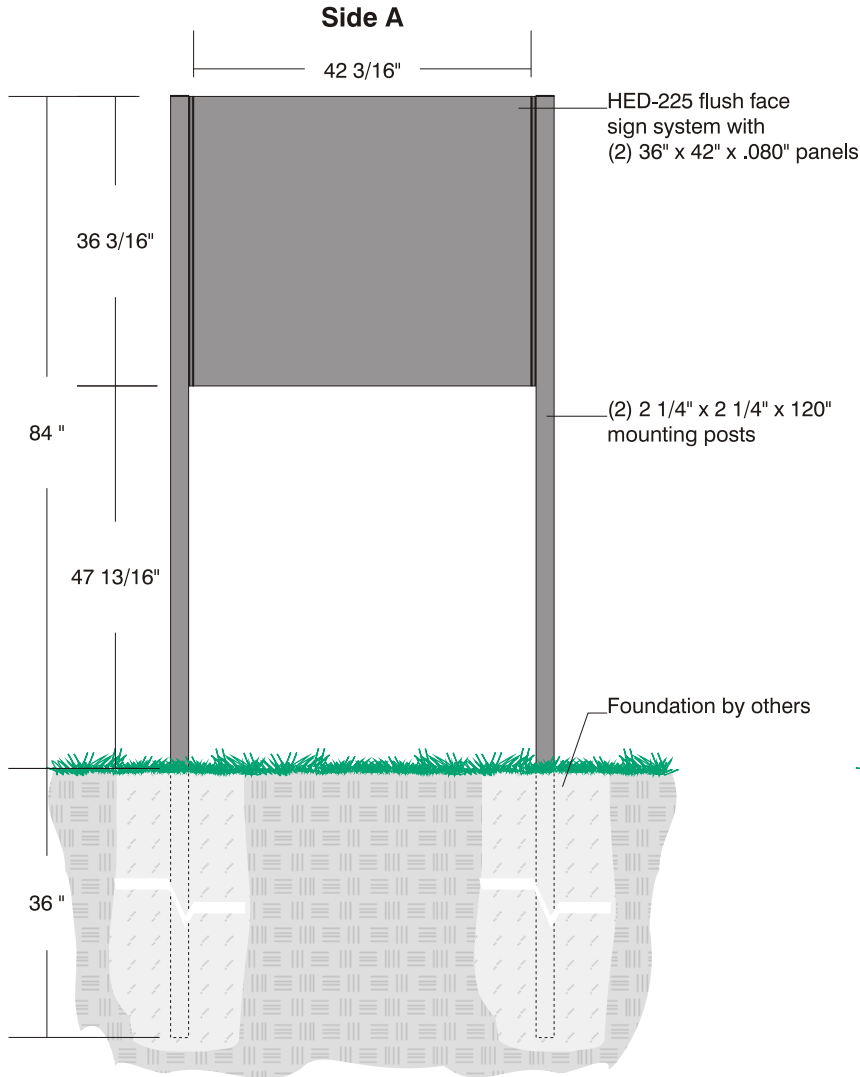
HED-225 Flush Face

Double Post, Double Face, Duranodic Bronze Finish

Drawing Notes
*All sign components of extruded aluminum and having a duranodic bronze finish unless otherwise specified



XX
Drawing format is faxed to fit legal size paper, 8-1/2" x 14"



Client: XXXX
System: HED-225
Date: 02-02-05
Scale: 1/2" = 1'-0"

This drawing was specifically created for: XXXX
Sales Representative: XXXX

6400 Howard Drive, Fairview, PA 16415 • Toll Free 800/458-0591 • PA 814/833-7000 • Fax 814/838-0011

